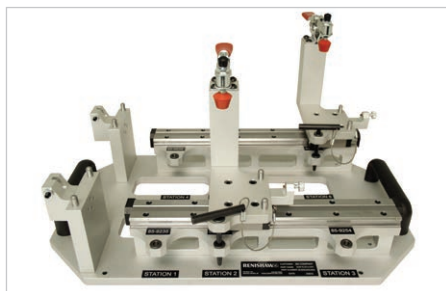
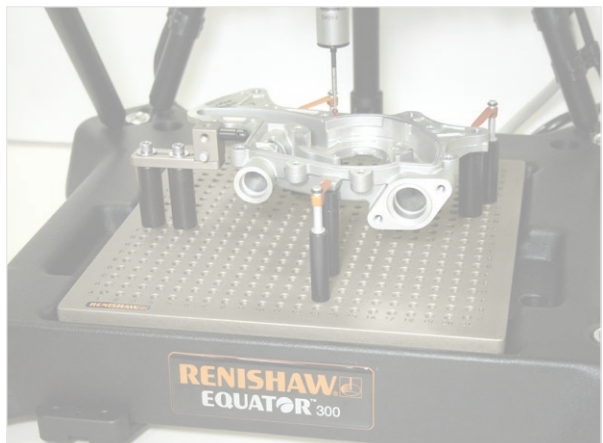
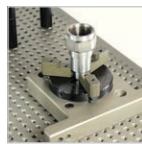
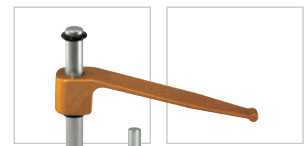


Renishaw Equator™ fixtures

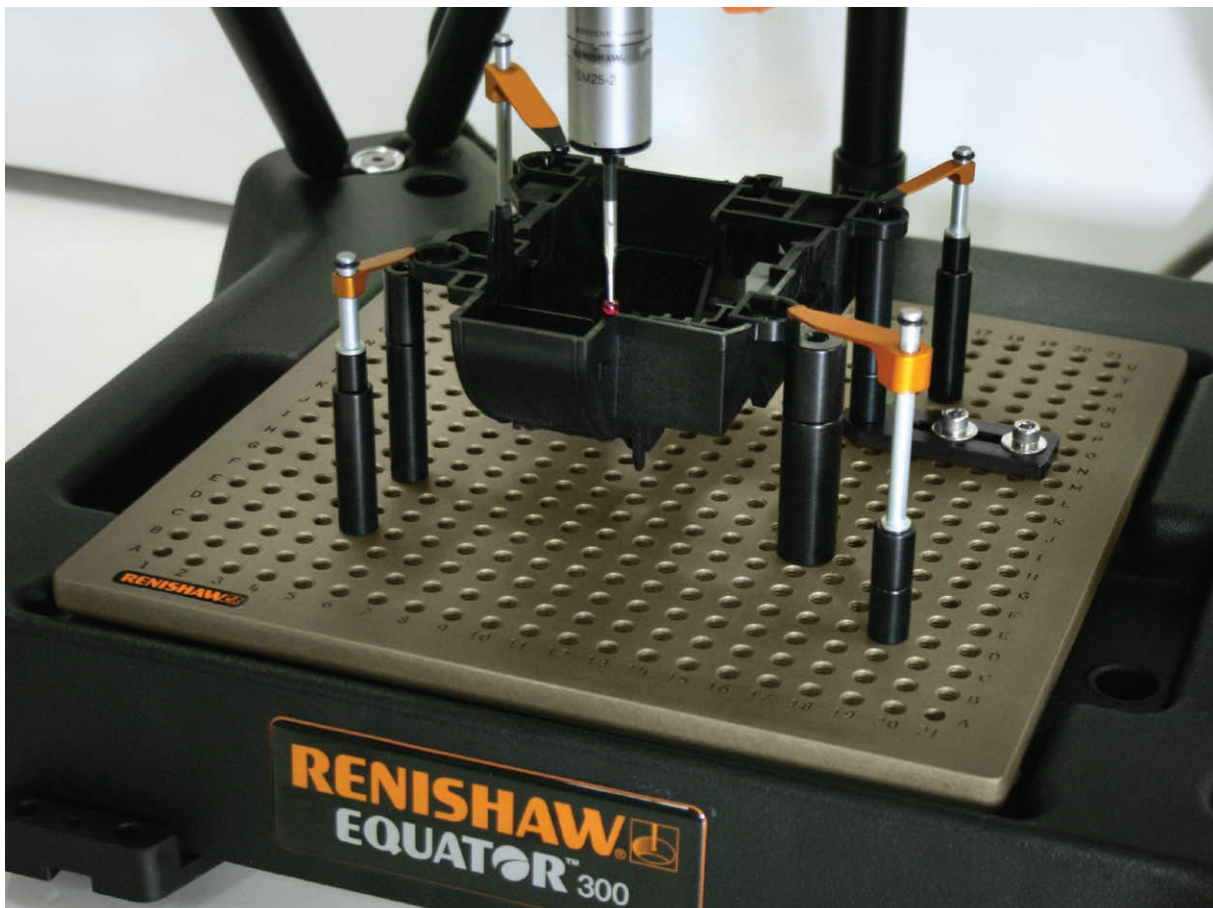
Your single source for metrology fixturing



This page is intentionally left blank.

Contents

Section 1	Introduction
Section 2	Equator™ base plates
Section 3	Equator fixturing kits
Section 4	M4 kit
Section 5	M6 kits
Section 6	M8 kits
Sections 7–15	Equator components
Section 16	Custom fixtures



Introduction

1.1

Modular fixturing for your Equator™ gauge

Renishaw Equator fixturing enables quick and easy fixture set-ups to be created regardless of the size, geometry or material of the part.

The loading and positive engagement of the Renishaw Equator fixtures base plate allows for a quick changeover of parts, on and off the Equator, within seconds. Each fixture is repeatedly located and securely held in place with a unique 3-point kinematic system.

Multiple holes on the base plate ensure flexibility for fixturing a range of parts. Each plate is alphanumerically labelled so that the set-up can be recorded and documented, allowing the user to repeat the set-up quickly and accurately.

Fixturing components can be easily threaded into the base plate and positioned for minimal contact on and around the part. This provides an unobstructed probe path and the ability to inspect every detail on the part.



Equator™ base plates

Equator™ base plates

Base plates for Renishaw Equator fixtures use a 3-point kinematic system and can be taken on and off the Equator within seconds.

The base plates are available in M4, M6 or M8 thread sizes and are all precision ground within tight tolerances. Each plate is cast aluminium and coated with Nituff® hard coat anodise to reduce wear and scratching.

Plate options

Part no.	THD	Height	Width	Depth	Spacing
M4 plate					
R-PCR-13300300-10-4	M4	13 mm	300 mm	300 mm	10 mm OC
M6 plate					
R-PCR-13300300-12-6	M6	13 mm	300 mm	300 mm	12.5 mm OC
M8 plate					
R-PCR-13300300-15-8	M8	13 mm	300 mm	300 mm	15 mm OC



Locating ball for repositioning plates on Equator



Equator™ fixturing kits

3.1

Choosing your fixturing kit

Renishaw Equator fixtures are sold in preconfigured kits to make it easy to get started. A kit consists of one base plate and a comprehensive set of components.

The type of parts you are going to fixture will determine which kit you choose.

Renishaw offers two different kit choices:

- Clamping kit
- Magnetic and clamping kit

If you are fixturing steel or cast iron parts, the magnetic and clamping kit is recommended.

Kits are available in three thread sizes: M4, M6 or M8. Additional components can be purchased to expand your kit.

How to choose your kit

- 1 Choose a thread size: M4, M6 or M8
- 2 Choose a kit type: clamping or magnetic and clamping
- 3 Choose a set of components



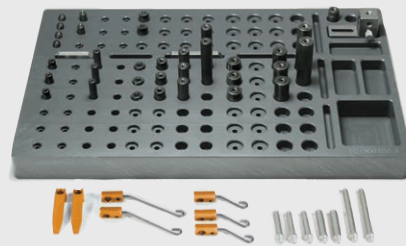
M6 magnetic and clamping kit

M4 kit: Clamping

4.1

The M4 Equator clamping kit can be used to hold brass, titanium, aluminium, plastic and other non-ferrous parts.

A kit includes a base plate with M4 threaded holes 10 mm on centre and a set of components (A).



R-KE-C1A-4 kit

Kit part no.	Base plate size	Set
R-KE-C1A-4	13 mm × 300 mm × 300 mm	A

Component set A (Part no.: R-FSC-CA-4)

Qty	Part no.	Description
3	R-S-610-4	6 mm dia. × 10 mm standoff
3	R-S-625-4	6 mm dia. × 25 mm standoff
3	R-S-95-4	9 mm dia. × 5 mm standoff
3	R-S-910-4	9 mm dia. × 10 mm standoff
3	R-S-925-4	9 mm dia. × 25 mm standoff
2	R-S-950-4	9 mm dia. × 50 mm standoff
3	R-S-1210-4	12 mm dia. × 10 mm standoff
3	R-S-1225-4	12 mm dia. × 25 mm standoff
2	R-S-1250-4	12 mm dia. × 50 mm standoff
2	R-SP-610-4	6 mm dia. × 10 mm pin standoff
2	R-SP-910-4	9 mm dia. × 10 mm pin standoff
2	R-CT-40-25-4	40 mm tension clamp with 25 mm post
3	R-CW-25-25-4	25 mm wire clamp with 25 mm post
2	R-CW-50-50-4	50 mm wire clamp with 50 mm post
4	R-RPA-4	Aluminium resting pin
1	R-AJ-9-4	9 mm dia. adjustable jackstand
1	R-AS-30-4	30 mm long adjustable slide
1	R-AS-45-4	45 mm long adjustable slide
1	R-TB-1619-4	Tower block with base 16 mm ² × 19 mm
1	R-TC-300190-4	300 mm × 190 mm × 25 mm component tray
1	R-BC10	50 mm × 200 mm × 150 mm compartment box (not shown)

Total: 46

M6 kits: Clamping

5.1

The M6 Equator clamping kits can be used to hold brass, titanium, aluminium, plastic and other nonferrous parts.

A kit includes a base plate with M6 threaded holes 12.5 mm on centre and one set of components (A or B).



Kit part no.	Base plate size	Set
R-KE-C1A-6	13 mm × 300 mm × 300 mm	A

Kit part no.	Base plate size	Set
R-KE-C1B-6	13 mm × 300 mm × 300 mm	B

Component set A (Part no: R-FSC-CA-6)

Qty	Part no.	Description
3	R-S-1320-6	13 mm dia. × 20 mm standoff
3	R-S-1325-6	13 mm dia. × 25 mm standoff
3	R-S-1350-6	13 mm dia. × 50 mm standoff
3	R-S-1920-6	19 mm dia. × 20 mm standoff
3	R-S-1925-6	19 mm dia. × 25 mm standoff
3	R-S-1950-6	19 mm dia. × 50 mm standoff
3	R-S-2520-6	25 mm dia. × 20 mm standoff
3	R-S-2525-6	25 mm dia. × 25 mm standoff
3	R-S-2550-6	25 mm dia. × 50 mm standoff
2	R-SP-1325-6	13 mm dia. × 25 mm pin standoff
2	R-CT-40-30-6	40 mm tension clamp with 30 mm post
4	R-CT-64-70-6	64 mm tension clamp with 70 mm post
4	R-RCD-6	Delrin® resting cone
1	R-AJ-13-6	13 mm dia. adjustable jackstand
1	R-AS-45-6	45 mm long adjustable slide
1	R-AS-70-6	70 mm long adjustable slide
1	R-TC-500200	500 mm × 200 mm × 25 mm component tray
1	R-BC10	50 mm × 200 mm × 150 mm compartment box (not shown)

Total: 44

Component set B (Part no. R-FSC-CB-6)

Qty	Part no.	Description
3	R-S-910-6	9 mm dia. × 10 mm standoff
6	R-S-1320-6	13 mm dia. × 20 mm standoff
6	R-S-1325-6	13 mm dia. × 25 mm standoff
6	R-S-1350-6	13 mm dia. × 50 mm standoff
3	R-S-1910-6	19 mm dia. × 10 mm standoff
6	R-S-1920-6	19 mm dia. × 20 mm standoff
6	R-S-1925-6	19 mm dia. × 25 mm standoff
6	R-S-1950-6	19 mm dia. × 50 mm standoff
4	R-S-19100-6	19 mm dia. × 100 mm standoff
6	R-S-2520-6	25 mm dia. × 20 mm standoff
6	R-S-2525-6	25 mm dia. × 25 mm standoff
6	R-S-2550-6	25 mm dia. × 50 mm standoff
4	R-S-25100-6	25 mm dia. × 100 mm standoff
4	R-SP-1325-6	13 mm dia. × 25 mm pin standoff
6	R-CT-40-30-6	40 mm tension clamp with 30 mm post
12	R-CT-64-70-6	64 mm tension clamp with 70 mm post
4	R-RCD-6	Delrin® resting cone
4	R-RPS-6	Steel resting pin
2	R-AJ-13-6	13 mm dia. adjustable jackstand
2	R-AJ-25-6	25 mm dia. adjustable jackstand
2	R-AS-45-6	45 mm long adjustable slide
2	R-AS-70-6	70 mm long adjustable slide
2	R-TB-2025-6	Tower block with base 20 mm ² × 30 mm
1	R-TC-500200	500 mm × 200 mm × 25 mm component tray
1	R-BC10	50 mm × 200 mm × 150 mm compartment box (not shown)

Total: 110

M6 kits: Magnetic and clamping

The M6 Equator magnetic and clamping kits can be used to hold steel, aluminium, plastic and other nonferrous parts.

A kit includes a base plate with M6 threaded holes 12.5 mm on centre and one set of components (A or B).



R-KE-MC1B-6 kit

Kit part no.	Base plate size	Set
R-KE-MC1A-6	13 mm × 300 mm × 300 mm	A

Kit part no.	Base plate size	Set
R-KE-MC1B-6	13 mm × 300 mm × 300 mm	B

Component set A (Part no. R-FSC-MCA-6)

Qty	Part no.	Description
3	R-M-13-6	13 mm dia. × 25 mm magnet
3	R-M-19-6	19 mm dia. × 25 mm magnet
3	R-M-25-6	25 mm dia. × 25 mm magnet
3	R-S-1320-6	13 mm dia. × 20 mm standoff
3	R-S-1325-6	13 mm dia. × 25 mm standoff
3	R-S-1350-6	13 mm dia. × 50 mm standoff
3	R-S-1920-6	19 mm dia. × 20 mm standoff
3	R-S-1925-6	19 mm dia. × 25 mm standoff
3	R-S-1950-6	19 mm dia. × 50 mm standoff
3	R-S-2520-6	25 mm dia. × 20 mm standoff
3	R-S-2525-6	25 mm dia. × 25 mm standoff
3	R-S-2550-6	25 mm dia. × 50 mm standoff
4	R-CT-64-70-6	64 mm tension clamp with 70 mm post
4	R-RCD-6	Delrin® resting cone
1	R-AJ-13-6	13 mm dia. adjustable jackstand
1	R-AS-45-6	45 mm long adjustable slide
1	R-AS-70-6	70 mm long adjustable slide
1	R-TC-500200	500 mm × 200 mm × 25 mm component tray
1	R-BC10	50 mm × 200 mm × 150 mm compartment box (not shown)

Total: 49

Component set B (Part no. R-FSC-MCB-6)

Qty	Part no.	Description
4	R-M-13-6	13 mm dia. × 25 mm magnet
4	R-M-19-6	19 mm dia. × 25 mm magnet
4	R-M-25-6	25 mm dia. × 25 mm magnet
2	R-MP-13-6	13 mm dia. 25 mm pin magnet
3	R-S-910-6	9 mm dia. × 10 mm standoff
6	R-S-1320-6	13 mm dia. × 20 mm standoff
6	R-S-1325-6	13 mm dia. × 25 mm standoff
6	R-S-1350-6	13 mm dia. × 50 mm standoff
3	R-S-1910-6	19 mm dia. × 10 mm standoff
6	R-S-1920-6	19 mm dia. × 20 mm standoff
6	R-S-1925-6	19 mm dia. × 25 mm standoff
6	R-S-1950-6	19 mm dia. × 50 mm standoff
3	R-S-19100-6	19 mm dia. × 100 mm standoff
6	R-S-2520-6	25 mm dia. × 20 mm standoff
6	R-S-2525-6	25 mm dia. × 25 mm standoff
6	R-S-2550-6	25 mm dia. × 50 mm standoff
3	R-S-25100-6	25 mm dia. × 100 mm standoff
4	R-CT-40-30-6	40 mm tension clamp with 30 mm post
8	R-CT-64-70-6	64 mm tension clamp with 70 mm post
4	R-RCD-6	Delrin® resting cone
4	R-RPS-6	Steel resting pin
2	R-AJ-13-6	13 mm dia. adjustable jackstand
2	R-AJ-25-6	25 mm dia. adjustable jackstand
2	R-AS-45-6	45 mm long adjustable slide
2	R-AS-70-6	70 mm long adjustable slide
2	R-TB-2025-6	Tower block with base 20 mm ² × 30 mm
1	R-TC-500200	500 mm × 200 mm × 25 mm component tray
1	R-BC10	50 mm × 200 mm × 150 mm compartment box (not shown)

Total: 112

M8 kits: Clamping

6.1

The M8 CMM clamping kits can be used to hold aluminium, plastic and other nonferrous parts.

A kit includes a base plate with M8 threaded holes 15 mm on centre (choose from plate sizes listed below) and one set of components (A, B, or C) along with plate clamps for mounting to CMM.



R-KE-C2B-8 kit

Kit part no.	Base plate size	Set
R-KE-C1A-8	13 mm × 300 mm × 300 mm	A

Kit part no.	Base plate size	Set
R-KE-C1B-8	13 mm × 300 mm × 300 mm	B

Component set A (Part no. R-FSC-CA-8)

Qty	Part no.	Description
3	R-S-1320-8	13 mm dia. × 20 mm standoff
3	R-S-1325-8	13 mm dia. × 25 mm standoff
3	R-S-1350-8	13 mm dia. × 50 mm standoff
3	R-S-1920-8	19 mm dia. × 20 mm standoff
3	R-S-1925-8	19 mm dia. × 25 mm standoff
3	R-S-1950-8	19 mm dia. × 50 mm standoff
3	R-S-2520-8	25 mm dia. × 20 mm standoff
3	R-S-2525-8	25 mm dia. × 25 mm standoff
3	R-S-2550-8	25 mm dia. × 50 mm standoff
2	R-SP-1325-8	13 mm dia. × 25 mm pin standoff
2	R-CT-40-30-8	40 mm tension clamp with 30 mm post
4	R-CT-64-70-8	64 mm tension clamp with 70 mm post
4	R-RCD-8	Delrin® resting cone
1	R-AJ-19-8	19 mm dia. adjustable jackstand
1	R-AS-70-8	70 mm long adjustable slide
1	R-TC-500200	500 mm × 200 mm × 25 mm component tray
1	R-BC10	50 mm × 200 mm × 150 mm compartment box (not shown)

Total: 43

Component set B (Part no. R-FSC-CB-8)

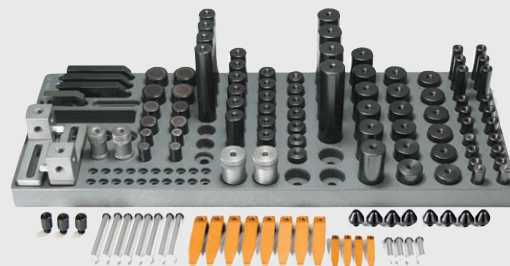
Qty	Part no.	Description
3	R-S-1315-8	13 mm dia. × 15 mm standoff
6	R-S-1320-8	13 mm dia. × 20 mm standoff
6	R-S-1325-8	13 mm dia. × 25 mm standoff
6	R-S-1350-8	13 mm dia. × 50 mm standoff
3	R-S-1915-8	19 mm dia. × 15 mm standoff
6	R-S-1920-8	19 mm dia. × 20 mm standoff
6	R-S-1925-8	19 mm dia. × 25 mm standoff
6	R-S-1950-8	19 mm dia. × 50 mm standoff
4	R-S-19100-8	19 mm dia. × 100 mm standoff
6	R-S-2520-8	25 mm dia. × 20 mm standoff
6	R-S-2525-8	25 mm dia. × 25 mm standoff
6	R-S-2550-8	25 mm dia. × 50 mm standoff
4	R-S-25100-8	25 mm dia. × 100 mm standoff
4	R-SP-1325-8	13 mm dia. × 25 mm pin standoff
6	R-CT-40-30-8	40 mm tension clamp with 30 mm post
12	R-CT-64-70-8	64 mm tension clamp with 70 mm post
4	R-RCD-8	Delrin® resting cone
4	R-RCS-8	Steel resting cone
2	R-AJ-19-8	19 mm dia. adjustable jackstand
2	R-AJ-25-8	25 mm dia. adjustable jackstand
1	R-AS-45-8	45 mm long adjustable slide
3	R-AS-70-8	70 mm long adjustable slide
2	R-TB-2530-8	Tower block with base
1	R-TC-500200	500 mm × 200 mm × 25 mm component tray
1	R-BC10	50 mm × 200 mm × 150 mm compartment box (not shown)

Total: 110

M8 kits: Magnetic and clamping

M8 CMM magnetic and clamping kits can be used to hold steel, aluminium, plastic and other non-ferrous parts.

A kit includes a base plate with M8 threaded holes 15 mm on centre (choose from plate sizes listed below) and one set of components (A, B, or C) along with plate clamps for mounting to the CMM.



R-KE-MC2B-8 kit

Kit part no.	Base plate size	Set
R-KE-MC1A-8	13 mm × 300 mm × 300 mm	A

Kit part no.	Base plate size	Set
R-KE-MC1B-8	13 mm × 300 mm × 300 mm	B

Component set A (Part no. R-FSC-MCA-8)

Qty	Part no.	Description
3	R-M-13-8	13 mm dia. × 25 mm magnet
3	R-M-19-8	19 mm dia. × 25 mm magnet
3	R-M-25-8	25 mm dia. × 25 mm magnet
3	R-S-1320-8	13 mm dia. × 20 mm standoff
3	R-S-1325-8	13 mm dia. × 25 mm standoff
3	R-S-1350-8	13 mm dia. × 50 mm standoff
3	R-S-1920-8	19 mm dia. × 20 mm standoff
3	R-S-1925-8	19 mm dia. × 25 mm standoff
3	R-S-1950-8	19 mm dia. × 50 mm standoff
3	R-S-2520-8	25 mm dia. × 20 mm standoff
3	R-S-2525-8	25 mm dia. × 25 mm standoff
3	R-S-2550-8	25 mm dia. × 50 mm standoff
3	R-CT-64-70-8	64 mm tension clamp with 70 mm post
4	R-RCD-8	Delrin® resting cone
1	R-AJ-19-8	19 mm dia. adjustable jackstand
1	R-AS-70-8	70 mm long adjustable slide
1	R-TC-500200	500 mm × 200 mm × 25 mm component tray
1	R-BC10	50 mm × 200 mm × 150 mm compartment box (not shown)

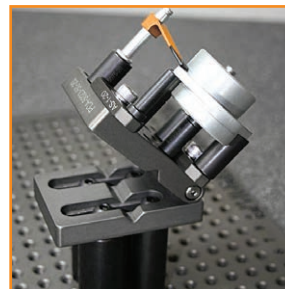
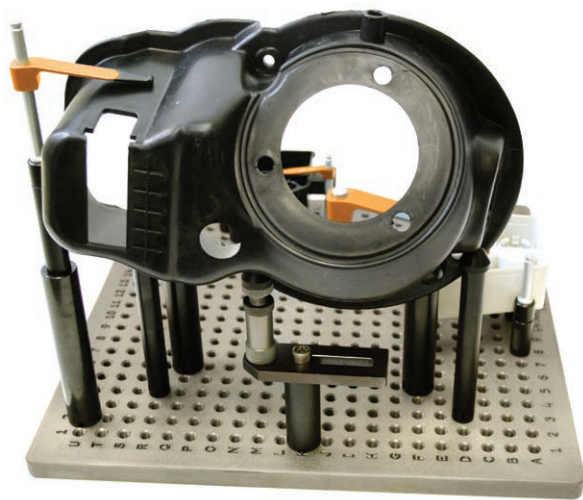
Total: 47

Component set B (Part no. R-FSC-MCB-8)

Qty	Part no.	Description
4	R-M-13-8	13 mm dia. × 25 mm magnet
4	R-M-19-8	19 mm dia. × 25 mm magnet
4	R-M-25-8	25 mm dia. × 25 mm magnet
2	R-MP-13-8	13 mm dia. × 25 mm pin magnet
3	R-S-1315-8	13 mm dia. × 15 mm standoff
6	R-S-1320-8	13 mm dia. × 20 mm standoff
6	R-S-1325-8	13 mm dia. × 25 mm standoff
6	R-S-1350-8	13 mm dia. × 50 mm standoff
3	R-S-1915-8	19 mm dia. × 15 mm standoff
6	R-S-1920-8	19 mm dia. × 20 mm standoff
6	R-S-1925-8	19 mm dia. × 25 mm standoff
6	R-S-1950-8	19 mm dia. × 50 mm standoff
4	R-S-19100-8	19 mm dia. × 100 mm standoff
6	R-S-2520-8	25 mm dia. × 20 mm standoff
6	R-S-2525-8	25 mm dia. × 25 mm standoff
6	R-S-2550-8	25 mm dia. × 50 mm standoff
4	R-S-25100-8	25 mm dia. × 100 mm standoff
4	R-CT-40-30-8	40 mm tension clamp with 30 mm post
8	R-CT-64-70-8	64 mm tension clamp with 70 mm post
4	R-RCD-8	Delrin® resting cone
4	R-RCS-8	Steel resting cone
2	R-AJ-19-8	19 mm dia. adjustable jackstand
2	R-AJ-25-8	25 mm dia. adjustable jackstand
1	R-AS-45-8	45 mm long adjustable slide
3	R-AS-70-8	70 mm long adjustable slide
2	R-TB-2530-8	Tower block with base
1	R-TC-500200	500 mm × 200 mm × 25 mm component tray
1	R-BC10	50 mm × 200 mm × 150 mm compartment box (not shown)

Total: 114

Adjustables

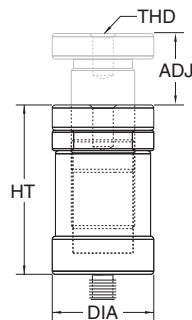


Adjustable jack stand

To allow variable heights of up to 22 mm and then lock into position.



R-AJ-25-6



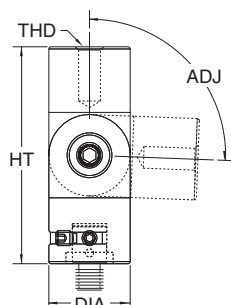
Part no.	THD	DIA	HT	ADJ
R-AJ-9-4	M4	9 mm	19 mm	7 mm
R-AJ-13-6	M6	17 mm	42 mm	13 mm
R-AJ-25-6	M6	25 mm	42 mm	13 mm
R-AJ-19-8	M8	19 mm	37 mm	13 mm
R-AJ-25-8	M8	25 mm	42 mm	13 mm
R-AJS-35-8	M8	38 mm	65 mm	15 mm

Adjustable pivot joint

For positioning a component at any angle. Lock the rotating base into position and then set the angle of the pivot.



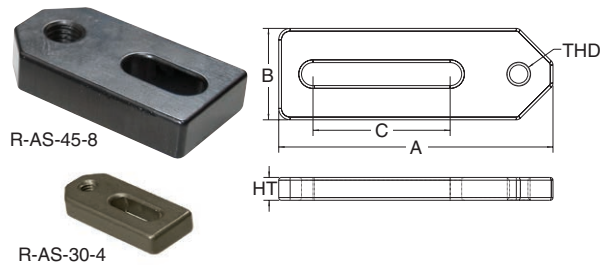
R-APJ-6



Part no.	THD	DIA	HT	ADJ
R-APJ-6	M6	19 mm	50 mm	93°
R-APJ-8	M8	19 mm	50 mm	93°

Adjustable slide

To place components in between holes on the plate.

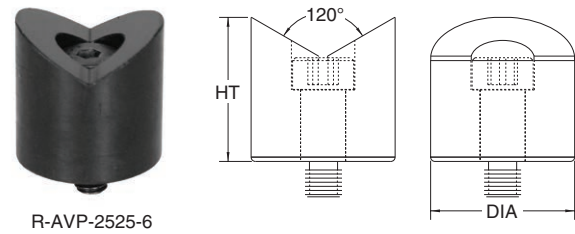


Part no.	THD	HT	A	B	C
R-AS-30-4	M4	5 mm	30 mm	13 mm	9 mm
R-AS-45-4	M4	5 mm	45 mm	13 mm	24 mm
R-AS-45-6	M6	10 mm	44 mm	20 mm	13 mm
R-AS-70-6	M6	10 mm	72 mm	25 mm	34 mm
R-AS-45-8	M8	10 mm	44 mm	20 mm	13 mm
R-AS-70-8	M8	10 mm	72 mm	25 mm	34 mm

Included: sockethead cap and thumb screws.

Adjustable V-post

For holding cylindrical or tubular parts without marring the part's surface. Can be rotated and locked to any orientation.

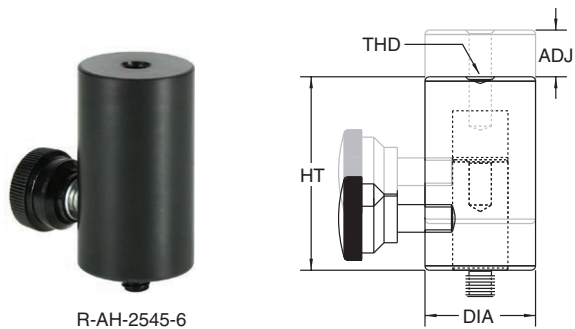


Part no.	THD	DIA	HT	ADJ
R-AVP-2525-6	M6	25 mm	25 mm	360°
R-AVP-2525-8	M8	25 mm	25 mm	360°

Included: shoulder bolt.

Adjustable height stand

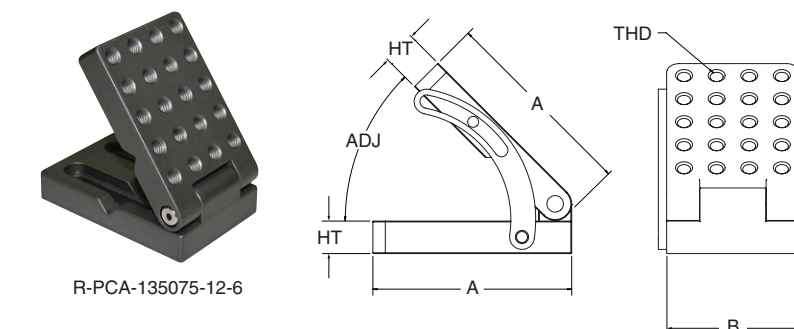
To allow variable heights without marring the part.



Part no.	THD	DIA	HT	ADJ
R-AH-2545-6	M6	25 mm	45 mm	9 mm
R-AH-2545-8	M8	25 mm	45 mm	9 mm

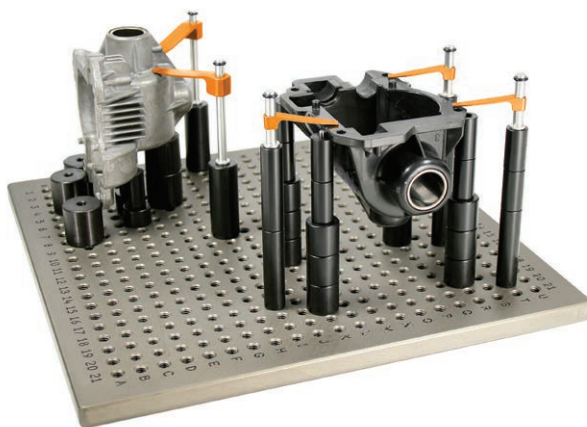
Adjustable angle plate

Ideal for holding components on an angle. The angle plate is adjustable to 180°.



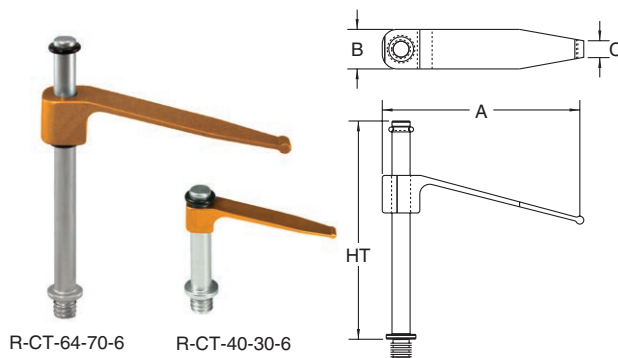
Part no.	THD	HT	A	B	ADJ
R-PCA-135075-10-4	M4	13 mm	75 mm	50 mm	180°
R-PCA-135075-12-6	M6	13 mm	75 mm	50 mm	180°

Clamps



Tension clamp

For quick and easy clamping.



R-CT-64-70-6

R-CT-40-30-6

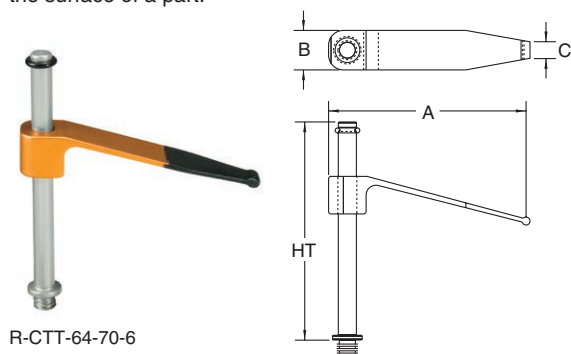
Part no.	THD	HT	A	B	C
R-CT-40-25-4	M4	25 mm	40 mm	7.6 mm	4 mm
R-CT-40-30-6	M6	30 mm	40 mm	7.6 mm	4 mm
R-CT-40-70-6	M6	68 mm	40 mm	7.6 mm	4 mm
R-CT-64-70-6	M6	68 mm	63.5 mm	13 mm	5 mm
R-CT-95-83-6	M6	83 mm	96 mm	19 mm	9 mm
R-CT-100P-83-6*	M6	83 mm	105 mm	19 mm	9 mm
R-CT-40-30-8	M8	30 mm	40 mm	7.6 mm	4 mm
R-CT-40-70-8	M8	68 mm	40 mm	7.6 mm	4 mm
R-CT-64-70-8	M8	68 mm	63.5 mm	13 mm	5 mm
R-CT-95-83-8	M8	83 mm	96 mm	19 mm	9 mm
R-CT-100P-83-8*	M8	83 mm	105 mm	19 mm	9 mm

* includes a plunger for reaching over the edge of a part to a more rigid surface or to reach over another support component.

Part number under tension clamp is for reference only. See chart for complete dimensions.

Soft tip tension clamp

Rubber coated tips hold parts without scratching or marring the surface of a part.



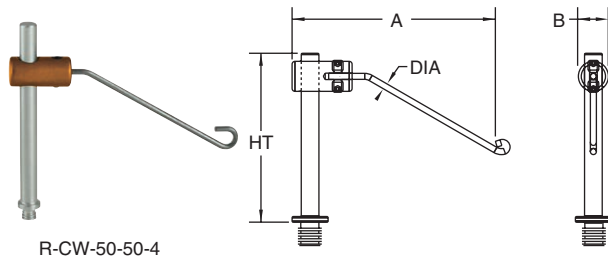
R-CTT-64-70-6

Part no.	THD	HT	A	B	C
R-CTT-40-25-4	M4	25 mm	40 mm	7.6 mm	4 mm
R-CTT-40-30-6	M6	30 mm	40 mm	7.6 mm	4 mm
R-CTT-40-70-6	M6	68 mm	40 mm	7.6 mm	4 mm
R-CTT-64-70-6	M6	68 mm	63.5 mm	13 mm	5 mm
R-CTT-95-83-6	M6	83 mm	96 mm	19 mm	9 mm
R-CTT-40-30-8	M8	30 mm	40 mm	7.6 mm	4 mm
R-CTT-40-70-8	M8	68 mm	40 mm	7.6 mm	4 mm
R-CTT-64-70-8	M8	68 mm	63.5 mm	13 mm	5 mm
R-CTT-95-83-8	M8	83 mm	96 mm	19 mm	9 mm

Part number under soft tip tension clamp is for reference only. See chart for complete dimensions.

Spring wire clamp

For light clamping of small parts, minimising the contact area on a part and for least possible obstruction.

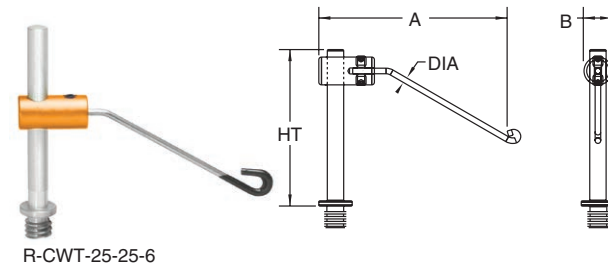


Part no.	THD	HT	A	B	DIA
R-CW-25-25-4	M4	25 mm	36 mm	8 mm	1.5 mm
R-CW-50-50-4	M4	45 mm	55 mm	8 mm	1.5 mm
R-CW-25-25-6	M6	25 mm	36 mm	8 mm	1.5 mm
R-CW-50-50-6	M6	50 mm	55 mm	8 mm	1.5 mm

Part number under spring wire clamp is for reference only. See chart for complete dimensions.

Soft tip spring wire clamp

With rubber coated tips for light clamping of small parts, minimising the contact area on a part and for least possible obstruction.

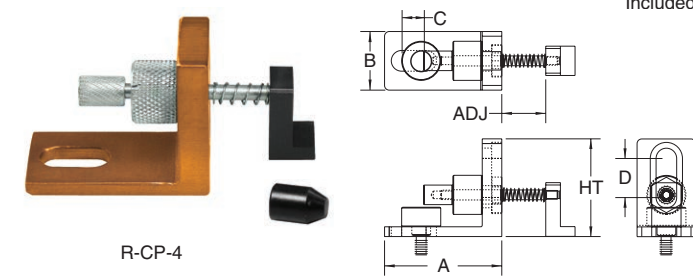


Part no.	THD	HT	A	B	DIA
R-CWT-25-25-4	M4	25 mm	36 mm	8 mm	1.5 mm
R-CWT-50-50-4	M4	45 mm	55 mm	8 mm	1.5 mm
R-CWT-25-25-6	M6	25 mm	36 mm	8 mm	1.5 mm
R-CWT-50-50-6	M6	50 mm	55 mm	8 mm	1.5 mm

Part number under spring wire clamp is for reference only. See chart for complete dimensions.

Pusher clamp

To push a part against standoffs or into corner (two interchangeable tips are included).

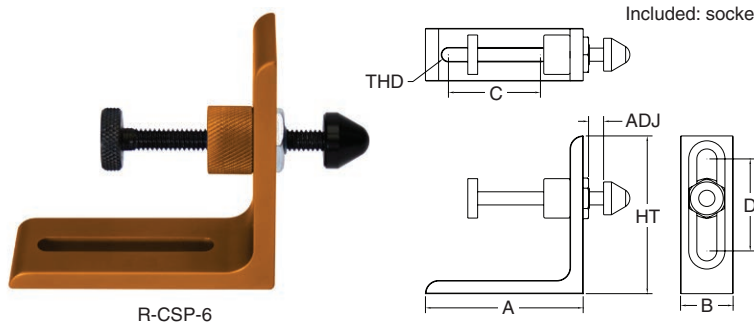


Part no.	THD	HT	A	B	C	D	ADJ
R-CP-4	M4	32 mm	38 mm	19 mm	8 mm	13 mm	10 mm
R-CP-6	M6	32 mm	38 mm	19 mm	8 mm	13 mm	10 mm

Included: socket head cap screw, thumb screw and washer.

Screw pusher clamp

For pushing and holding a part against stops.

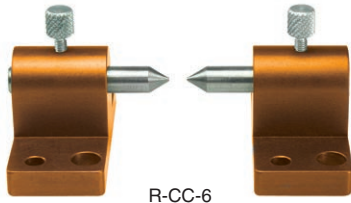


Part no.	THD	HT	A	B	C	D	ADJ
R-CSP-6	M6	76 mm	76 mm	25 mm	44 mm	44 mm	38 mm
R-CSP-8	M8	76 mm	76 mm	25 mm	44 mm	44 mm	38 mm

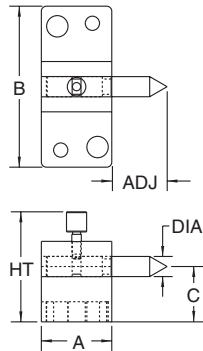
Included: socket head cap screw, thumb screw and washer.

Centres

For holding cylindrical parts at each end on their inside diameters.



R-CC-6



Part no.	THD	DIA	HT	A	B	C	ADJ
----------	-----	-----	----	---	---	---	-----

R-CC-6	M4/M6	6 mm	38 mm	22 mm	51 mm	20 mm	16 mm
--------	-------	------	-------	-------	-------	-------	-------

R-CC-13	M4/M6/M8	13 mm	50 mm	38 mm	64 mm	25 mm	38 mm
---------	----------	-------	-------	-------	-------	-------	-------

R-CC-25	M4/M6/M8	25 mm	69 mm	51 mm	76 mm	35 mm	50 mm
---------	----------	-------	-------	-------	-------	-------	-------

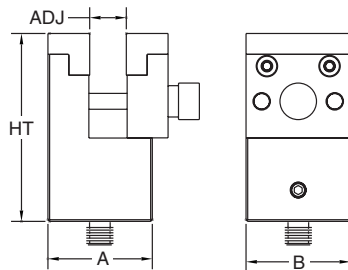
Included: both male and female centring options; socket head cap screws.

Mini vice

For clamping a small area of a part. Vice can be rotated 360° and then locked into position.



R-CMV-6



Part no.	THD	HT	A	B	ADJ
----------	-----	----	---	---	-----

R-CMV-4	M4	58 mm	32 mm	32 mm	11 mm
---------	----	-------	-------	-------	-------

R-CMV-6	M6	58 mm	32 mm	32 mm	11 mm
---------	----	-------	-------	-------	-------

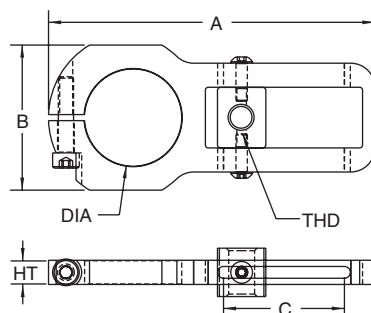
R-CMV-8	M8	58 mm	32 mm	32 mm	11 mm
---------	----	-------	-------	-------	-------

Tension clamp bracket

To hold a tension clamp on an angle.



R-CTB-25-6



Part no.	THD	DIA	HT	A	B	C
----------	-----	-----	----	---	---	---

R-CTB-25-6	M6	25.5 mm	6 mm	86 mm	38 mm	32 mm
------------	----	---------	------	-------	-------	-------

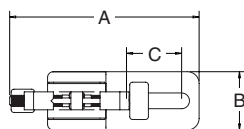
R-CTB-25-8	M8	25.5 mm	6 mm	86 mm	38 mm	32 mm
------------	----	---------	------	-------	-------	-------

Micro vice clamp

Ideal for holding parts horizontally or vertically. Jaws have a V notch for holding cylindrical and tubular parts.



R-CVM-4



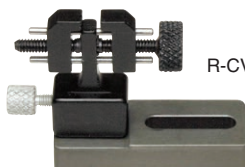
Part no.	THD	HT	A	B	C	ADJ
----------	-----	----	---	---	---	-----

R-CVM-4	M4	28 mm	38 mm	10 mm	-	13 mm
---------	----	-------	-------	-------	---	-------

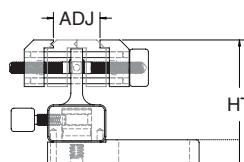
R-CVM-B-4 (with base)	M4	35 mm	51 mm	16 mm	15 mm	13 mm
--------------------------	----	-------	-------	-------	-------	-------

R-CVM-6	M6	28 mm	38 mm	10 mm	-	13 mm
---------	----	-------	-------	-------	---	-------

R-CVM-B-6 (with base)	M6	38 mm	78 mm	20 mm	35 mm	13 mm
--------------------------	----	-------	-------	-------	-------	-------



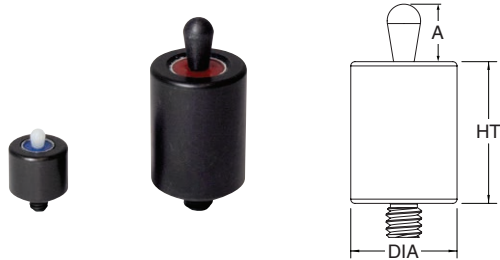
R-CVM-B-4



Spring pusher standoff clamp

Designed for fixturing small parts in tight or compact space.
Ideal for positioning parts and for profile clamping.

Part no.	THD	DIA	HT
R-CSPS-1210-4	M4	12 mm	10 mm
R-CSPS-1925-6	M6	19 mm	25 mm



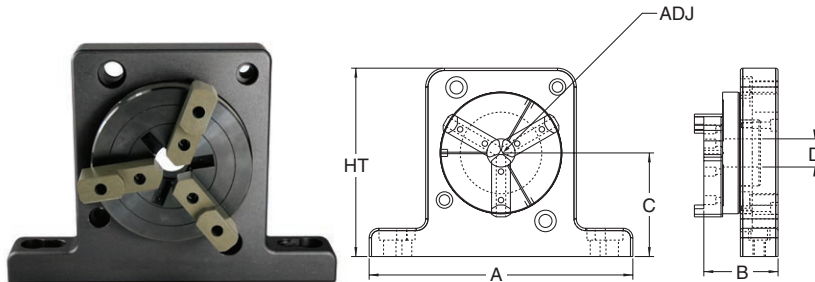
R-CSPS-1210-4 R-CSPS-1925-6

3-jaw clamp

For holding round parts at one end or in the middle, allowing the probe around the part without interference.

Part no.	THD	HT	A	B	C	D	ADJ
R-CJ-3	M6/M8	127 mm	178 mm	50 mm	70 mm	19 mm	1.5-64.5 mm

Included: socket head cap screws.



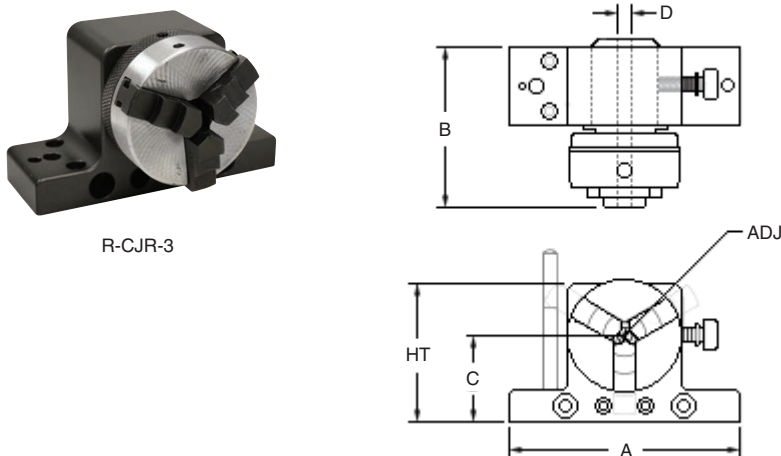
R-CJ-3

Rotating 3-jaw clamp

For clamping on inner and outer diameter of part, locking into position then rotated to a marked increment.

Part no.	THD	HT	A	B	C	D	ADJ
R-CJR-3	M4/M6	60 mm	102 mm	70 mm	38 mm	6.4 mm	1-63 mm

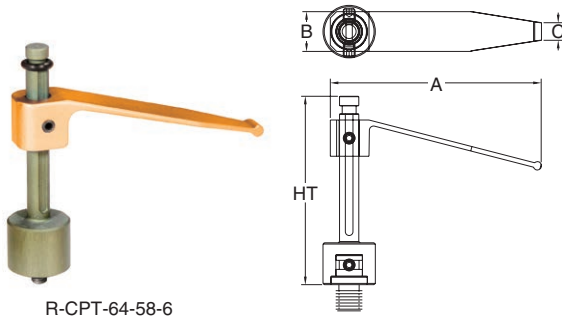
Included: socket head cap screws and chuck keys.



R-CJR-3

Positional tension clamp

Allows locking the tension clamp rotational position to avoid probing interferences from one time to the next.



R-CPT-64-58-6

Part no.	THD	HT	A	B	C
R-CPT-64-58-6	M6	58 mm	63.5 mm	13 mm	5 mm

Hold down clamp

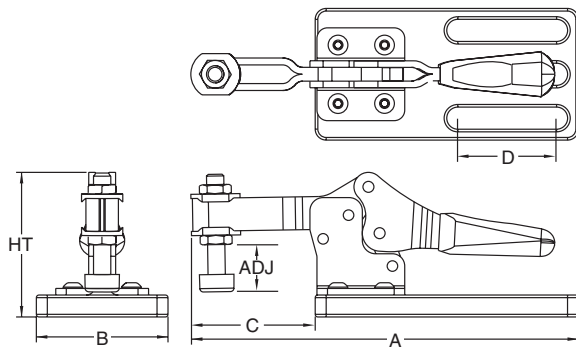
For more clamping force.



R-CH-89-6



R-CH-133-6

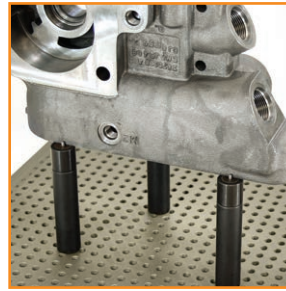


Part no.	THD	HT	A	B	C	D	ADJ
R-CH-89-6	M6	42 mm	125 mm	38 mm	35 mm	29 mm	13 mm
R-CH-133-6	M6	50 mm	139 mm	38 mm	49 mm	29 mm	8 mm
R-CH-89-8	M8	42 mm	124 mm	38 mm	35 mm	30 mm	13 mm
R-CH-133-8	M8	50 mm	138 mm	38 mm	49 mm	30 mm	8 mm

Included: socket head cap screws and washers.

Magnets

10.1

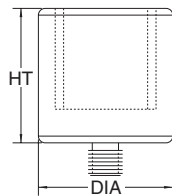


Magnet

For holding steel or iron parts.



R-M-19-6



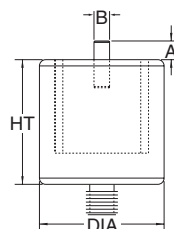
Part no.	THD	DIA	HT
R-M-6-4	M4	6 mm	25 mm
R-M-13-4	M4	13 mm	25 mm
R-M-13-6	M6	13 mm	25 mm
R-M-19-6	M6	19 mm	25 mm
R-M-25-6	M6	25 mm	25 mm
R-M-32-6	M6	32 mm	25 mm
R-M-13-8	M8	13 mm	25 mm
R-M-19-8	M8	19 mm	25 mm
R-M-25-8	M8	25 mm	25 mm
R-M-32-8	M8	32 mm	25 mm

Pin magnet

For holding and locating steel or iron parts.



R-MP-13-6



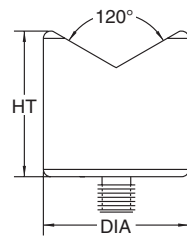
Part no.	THD	DIA	HT	A	B
R-MP-6-4	M4	6 mm	25 mm	3.8 mm	1.6 mm
R-MP-13-4	M4	13 mm	25 mm	3.8 mm	1.6 mm
R-MP-13-6	M6	13 mm	25 mm	3.8 mm	3 mm
R-MP-19-6	M6	19 mm	25 mm	3.8 mm	3 mm
R-MP-25-6	M6	25 mm	25 mm	3.8 mm	3 mm
R-MP-13-8	M8	13 mm	25 mm	3.8 mm	3 mm
R-MP-19-8	M8	19 mm	25 mm	3.8 mm	3 mm
R-MP-25-8	M8	25 mm	25 mm	3.8 mm	3 mm

V magnet

For holding cylindrical parts and bent tubing.



R-MV-25-6



Part no.	THD	DIA	HT
R-MV-13-6	M6	13 mm	25 mm
R-MV-19-6	M6	19 mm	25 mm
R-MV-25-6	M6	25 mm	25 mm
R-MV-32-6	M6	32 mm	25 mm
R-MV-13-8	M8	13 mm	25 mm
R-MV-19-8	M8	19 mm	25 mm
R-MV-25-8	M8	25 mm	25 mm
R-MV-32-8	M8	32 mm	25 mm

V magnet with base

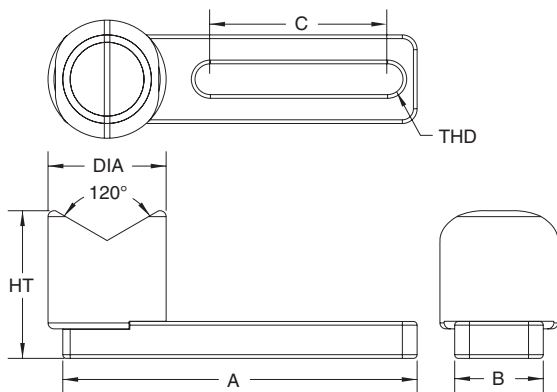
For holding round and tubular parts.



R-MVB-25-6

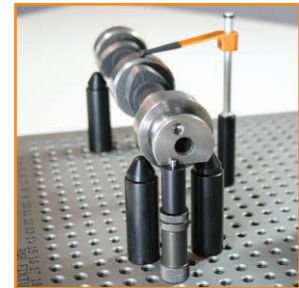
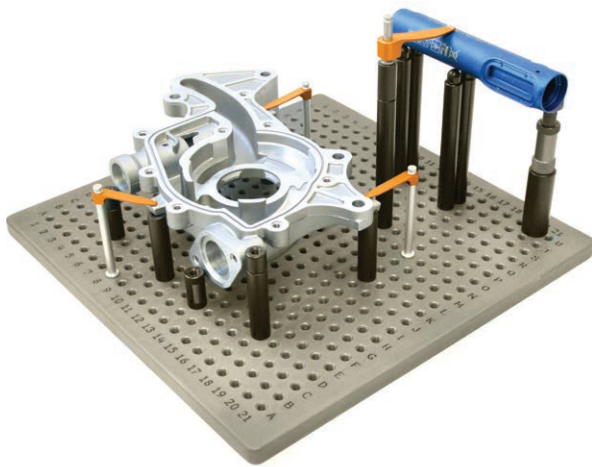
Part no.	THD	DIA	HT	A	B	C
R-MVB-13-6	M6	13 mm	32 mm	76 mm	19 mm	36 mm
R-MVB-19-6	M6	19 mm	32 mm	76 mm	19 mm	36 mm
R-MVB-25-6	M6	25 mm	32 mm	76 mm	19 mm	36 mm
R-MVB-32-6	M6	32 mm	32 mm	76 mm	19 mm	36 mm
R-MVB-19-8	M8	19 mm	32 mm	76 mm	19 mm	38 mm
R-MVB-25-8	M8	25 mm	32 mm	76 mm	19 mm	38 mm
R-MVB-32-8	M8	32 mm	32 mm	76 mm	19 mm	38 mm

Included: socket head cap screws, thumb screws and washers.



Miscellaneous

11.1



Cone

To rest a part on a rounded point for single-point contact.



Delrin®
R-RCD-6

Steel
R-RCS-6

Aluminium
R-RCA-6

Part no.	THD	DIA	HT	Material
R-RCD-6	M6	16 mm	13 mm	Delrin®
R-RCS-6	M6	16 mm	13 mm	Steel
R-RCA-6	M6	25 mm	19 mm	Aluminium
R-RCD-8	M8	16 mm	13 mm	Delrin®
R-RCS-8	M8	16 mm	13 mm	Steel
R-RCA-8	M8	25 mm	19 mm	Aluminium
R-RCS-25-8	M8	25 mm	19 mm	Steel

Resting pin

To rest a part on a rounded point.



Steel
R-RPS-6

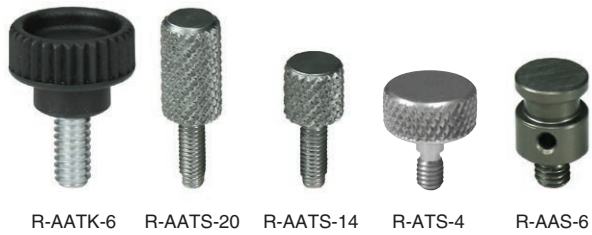
Aluminium
R-RPA-4

Delrin®
R-RPD-6

Part no.	THD	DIA	HT	Material	A
R-RPD-4	M4	6 mm	5 mm	Delrin®	1.9 mm
R-RPA-4	M4	6 mm	5 mm	Aluminium	1.9 mm
R-RPD-6	M6	9 mm	10 mm	Delrin®	1.9 mm
R-RPS-6	M6	9 mm	10 mm	Steel	1.9 mm

Screws and adaptors

Component replacement parts.



R-AATK-6 R-AATS-20 R-AATS-14 R-ATS-4 R-AAS-6

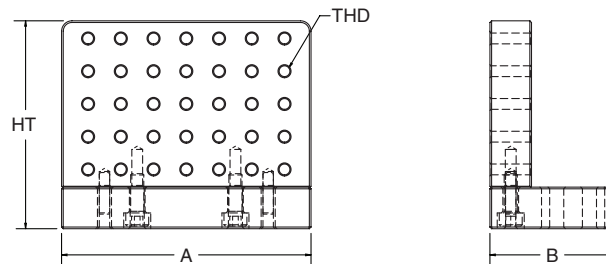
Part no.	THD	DIA	HT
Thumb screw			
R-AATK-6	M6	12 mm	20 mm
Screw			
R-AATS-14	M3	6 mm	15 mm
R-AATS-20	M3	6 mm	20 mm
R-ATS-4	M4	13 mm	15 mm
Adaptor			
R-AAS-4	M4	8 mm	15 mm
R-AAS-6	M6	8 mm	15 mm
R-AAS-8	M8	11 mm	17 mm

Vertical base plate

For holding components vertically.



R-PCV-507540-10-4



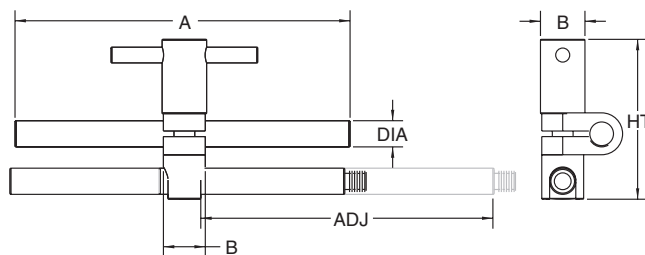
Part no.	THD	HT	A	B
R-PCV-507540-10-4	M4	63.5 mm	75 mm	40 mm

Adjustable T-arm

To support a part on its side.



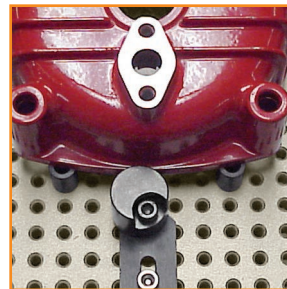
R-AT-6



Part no.	THD	DIA	HT	A	B	ADJ
R-AT-6	M6	7.8 mm	52 mm	100 mm	12.7 mm	89 mm

Standoffs

12.1



Standoff

To elevate and locate a part.



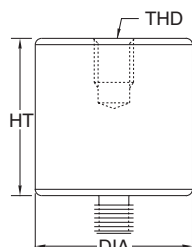
R-S-2550-6



R-S-920-4



R-S-620-4*



Part no.	THD	DIA	HT	Part no.	THD	DIA	HT	Part no.	THD	DIA	HT
M4 standoffs				M6 standoffs				M8 standoffs			
R-S-65-4*	M4	6 mm	5 mm	R-S-610-6*	M6	6 mm	10 mm	R-S-1315-8	M8	13 mm	15 mm
R-S-610-4*	M4	6 mm	10 mm	R-S-625-6*	M6	6 mm	25 mm	R-S-1320-8	M8	13 mm	20 mm
R-S-615-4	M4	6 mm	15 mm	R-S-95-6*	M6	9 mm	5 mm	R-S-1325-8	M8	13 mm	25 mm
R-S-620-4*	M4	6 mm	20 mm	R-S-910-6	M6	9 mm	10 mm	R-S-1350-8	M8	13 mm	50 mm
R-S-625-4*	M4	6 mm	25 mm	R-S-915-6	M6	9 mm	15 mm	R-S-13100-8	M8	13 mm	100 mm
R-S-95-4*	M4	9 mm	5 mm	R-S-920-6	M6	9 mm	20 mm	R-S-1915-8	M8	19 mm	15 mm
R-S-910-4	M4	9 mm	10 mm	R-S-925-6	M6	9 mm	25 mm	R-S-1920-8	M8	19 mm	20 mm
R-S-915-4	M4	9 mm	15 mm	R-S-1310-6	M6	13 mm	10 mm	R-S-1925-8	M8	19 mm	25 mm
R-S-920-4	M4	9 mm	20 mm	R-S-1315-6	M6	13 mm	15 mm	R-S-1950-8	M8	19 mm	50 mm
R-S-925-4	M4	9 mm	25 mm	R-S-1320-6	M6	13 mm	20 mm	R-S-19100-8	M8	19 mm	100 mm
R-S-950-4	M4	9 mm	50 mm	R-S-1325-6	M6	13 mm	25 mm	R-S-19150-8	M8	19 mm	150 mm
R-S-125-4*	M4	12 mm	5 mm	R-S-1350-6	M6	13 mm	50 mm	R-S-2520-8	M8	25 mm	20 mm
R-S-1210-4	M4	12 mm	10 mm	R-S-13100-6	M6	13 mm	100 mm	R-S-2525-8	M8	25 mm	25 mm
R-S-1215-4	M4	12 mm	15 mm	R-S-13150-6	M6	13 mm	150 mm	R-S-2550-8	M8	25 mm	50 mm
R-S-1220-4	M4	12 mm	20 mm	R-S-1910-6	M6	19 mm	10 mm	R-S-25100-8	M8	25 mm	100 mm
R-S-1225-4	M4	12 mm	25 mm	R-S-1915-6	M6	19 mm	15 mm	R-S-25150-8	M8	25 mm	150 mm
R-S-1250-4	M4	12 mm	50 mm	R-S-1920-6	M6	19 mm	20 mm	R-S-3825-8	M8	38 mm	25 mm
				R-S-1925-6	M6	19 mm	25 mm	R-S-3850-8	M8	38 mm	50 mm
				R-S-1950-6	M6	19 mm	50 mm	R-S-38150-8	M8	38 mm	150 mm
				R-S-19100-6	M6	19 mm	100 mm				
				R-S-19150-6	M6	19 mm	150 mm				
				R-S-2515-6	M6	25 mm	15 mm				
				R-S-2520-6	M6	25 mm	20 mm				
				R-S-2525-6	M6	25 mm	25 mm				
				R-S-2550-6	M6	25 mm	50 mm				
				R-S-25100-6	M6	25 mm	100 mm				
				R-S-25150-6	M6	25 mm	150 mm				
				R-S-3825-6	M6	38 mm	25 mm				
				R-S-3850-6	M6	38 mm	50 mm				
				R-S-38150-6	M6	38 mm	150 mm				

* = does not have a threaded top.
M4 standoffs are made of aluminium.
M6 standoffs are made of steel.

Delrin® standoffs

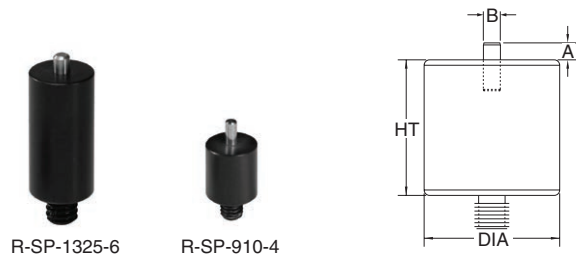
To elevate and locate a part using a non-marring material.



Part no.	THD	DIA	HT
R-SD-610-4	M4	6 mm	10 mm
R-SD-910-4	M4	9 mm	10 mm
R-SD-1210-4	M4	12 mm	10 mm
R-SD-925-6	M6	9 mm	25 mm
R-SD-1325-6	M6	13 mm	25 mm
R-SD-1925-6	M6	19 mm	25 mm

Pin standoff

To elevate and locate a part against the pin.



Part no.	THD	DIA	HT	A	B
R-SP-610-4	M4	6 mm	10 mm	3.8 mm	2 mm
R-SP-910-4	M4	9 mm	10 mm	3.8 mm	2 mm
R-SP-1210-4	M4	12 mm	10 mm	3.8 mm	2 mm
R-SP-610-6	M6	6 mm	10 mm	3.8 mm	2 mm
R-SP-910-6	M6	9 mm	10 mm	3.8 mm	2 mm
R-SP-1325-6	M6	13 mm	25 mm	3.8 mm	3 mm
R-SP-1925-6	M6	19 mm	25 mm	3.8 mm	3 mm
R-SP-1325-8	M8	13 mm	25 mm	3.8 mm	3 mm
R-SP-2525-8	M8	25 mm	25 mm	3.8 mm	3 mm

Delrin® pin standoffs

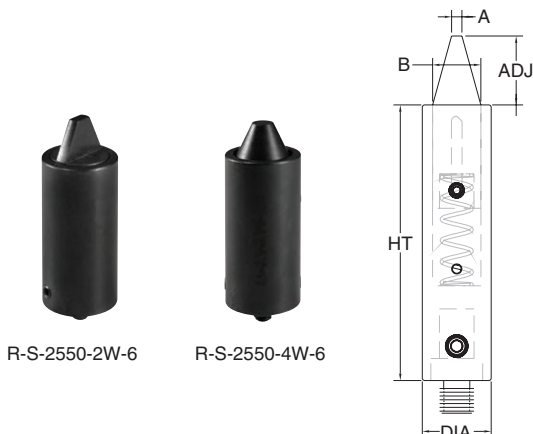
To elevate and locate a part against a pin using a non-marring material.



Part no.	THD	DIA	HT	A	B
R-SPD-910-4	M4	9 mm	10 mm	3.8 mm	2 mm
R-SPD-1325-6	M6	13 mm	25 mm	3.8 mm	3 mm

2-way and 4-way spring-loaded pin standoff

For locating within a hole or slot of a part.



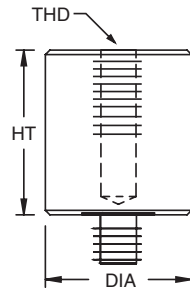
Part no.	THD	DIA	HT	A	B	ADJ
2-way pins						
R-S-1350-2W-6	M6	13 mm	50 mm	2 mm	9 mm	12.5 mm
R-S-2550-2W-6	M6	25 mm	50 mm	7 mm	19 mm	12.5 mm
R-S-2550-2W-8	M8	25 mm	50 mm	7.1 mm	19 mm	12.5 mm
4-way pins						
R-S-1350-4W-6	M6	13 mm	50 mm	2 mm	9 mm	12.5 mm
R-S-2550-4W-6	M6	25 mm	50 mm	7 mm	19 mm	12.5 mm
R-S-2550-4W-8	M8	25 mm	50 mm	7.1 mm	19 mm	12.5 mm

Standoff adaptor

For step clamps and calibration sphere.



R-SA-6-8



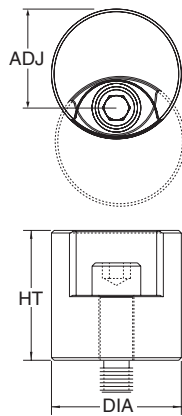
Part no.	THD	DIA	HT	A
R-SA-6-4	M4	19 mm	15 mm	M6
R-SA-4-6	M6	9 mm	15 mm	M4
R-SA-8-6	M6	25 mm	25 mm	M8
R-SA-6-8	M8	25 mm	25 mm	M6

Rotator standoff

To secure parts against stops/supports.



R-SR-2525-6



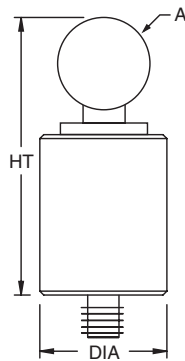
Part no.	THD	DIA	HT	ADJ
R-SR-2525-6	M6	25 mm	25 mm	19 mm

Tooling ball

For referencing CMM co-ordinates to a program or part.



R-STB-13-6



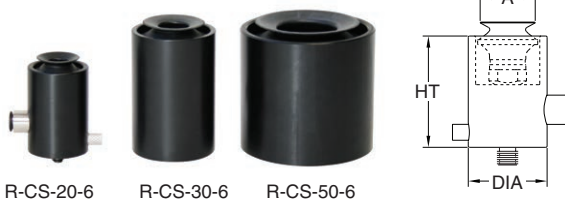
Part no.	THD	DIA	HT	A
R-STB-13-6	M6	19 mm	41 mm	13 mm
R-STB-13-8	M8	19 mm	41 mm	13 mm

Suction cups



Suction cup

For holding plastic, glass, polystyrene and other non-ferrous parts.



R-CS-20-6

R-CS-30-6

R-CS-50-6

Part no.	THD	DIA	HT	A
R-CS-5-6	M6	19 mm	35 mm	5 mm
R-CS-10-6	M6	19 mm	45 mm	10 mm
R-CS-20-6	M6	31 mm	45 mm	20 mm
R-CS-30-6	M6	44 mm	65 mm	30 mm
R-CS-50-6	M6	70 mm	65 mm	50 mm

Requires R-CSH-MSC, available separately.

Exposed suction cup

For holding contoured surfaces.



R-CES-10-6

R-CES-20-6

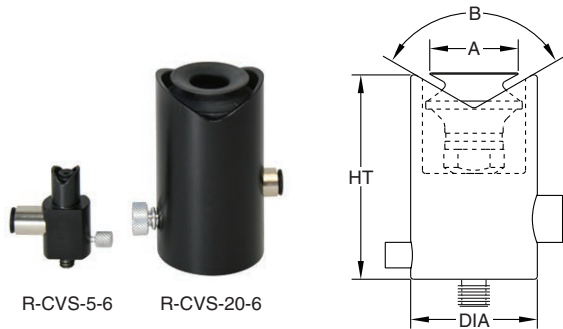
R-CES-30-6

Part no.	THD	DIA	HT	A
R-CES-10-6	M6	19 mm	42 mm	10 mm
R-CES-20-6	M6	31 mm	49 mm	20 mm
R-CES-30-6	M6	31 mm	57 mm	30 mm
R-CES-50-6	M6	31 mm	67 mm	50 mm

Requires R-CSH-MSC, available separately.

Suction V cup

For holding cylindrical tubes and shafts.

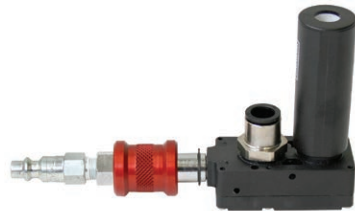


Part no.	THD	DIA	HT	A	B
R-CVS-5-6	M6	19 mm	35 mm	5 mm	90°
R-CVS-10-6	M6	19 mm	41 mm	10 mm	120°
R-CVS-20-6	M6	31 mm	51 mm	20 mm	120°
R-CVS-30-6	M6	44 mm	76 mm	30 mm	120°
R-CVS-50-6	M6	70 mm	89 mm	50 mm	120°

Requires R-CSH-MSC, available separately.

Vacuum pump

For suction cups with on/off valve, hose connector and quick disconnect.



R-CSVP

Part no.	Description
----------	-------------

R-CSVP Vacuum pump assembly

Requires R-CSH-MP, available separately.

Manifold

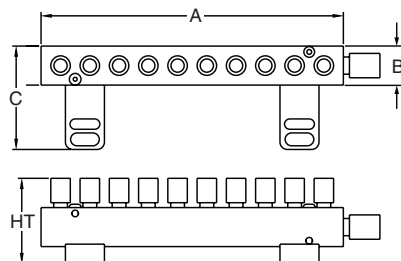
6-port or 10-port manifold can be used vertically or horizontally on base plate.



R-CSM-10P

Part no.	Description	HT	A	B	C
R-CSM-6P	6-port manifold	52 mm	121 mm	25 mm	67 mm
R-CSM-10P	10-port manifold	52 mm	197 mm	25 mm	67 mm

Requires R-CSH-MP and R-CSH-MSC, available separately.



Vacuum hose

Hose for connecting manifold to vacuum pump and to suction cups.



R-CSH-MSC

Part no.	Description
----------	-------------

R-CSH-MP 9.5 mm dia. hose to connect manifold to vacuum pump (sold per 1 m)

R-CSH-MSC 6.4 mm dia. hose to connect manifold to suction cups (sold per 1 m)

Suction cup tray

For holding and organising suction cups.

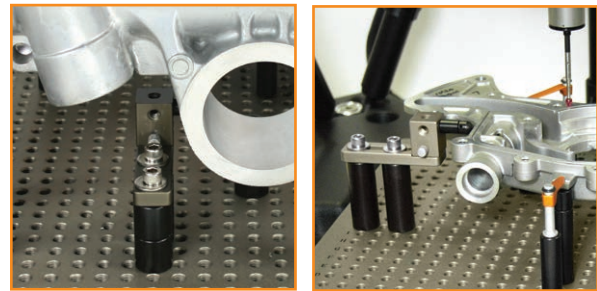
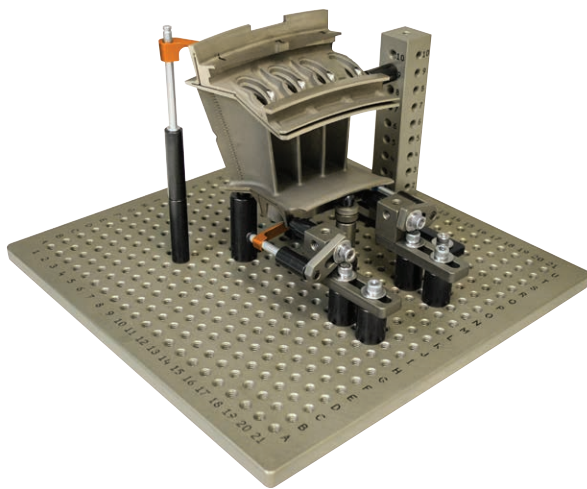


R-TCS-300200

Part no.	THD	Height	Width	Depth
R-TCS-300200	M6	25 mm	300 mm	200 mm

Towers

14.1

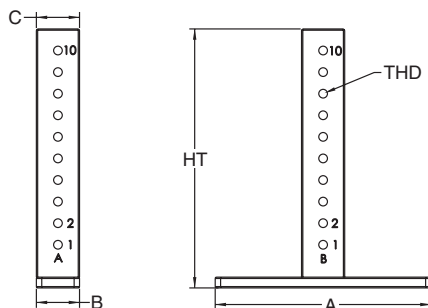


Tower

To hold a part vertically.



R-T-25150-6



Part no.	THD	HT	A	B	C	Threaded rows
----------	-----	----	---	---	---	---------------

R-T-25150-6	M6	150 mm	127 mm	25 mm	25 mm	1
R-T-25300-6	M6	300 mm	127 mm	25 mm	25 mm	1
R-T-35300-6	M6	300 mm	152 mm	51 mm	35 mm	2
R-T-25150-8	M8	150 mm	127 mm	25 mm	25 mm	1
R-T-25300-8	M8	300 mm	127 mm	25 mm	25 mm	1
R-T-35300-8	M8	300 mm	152 mm	51 mm	35 mm	2 / 1*

Included: socket head cap screws.

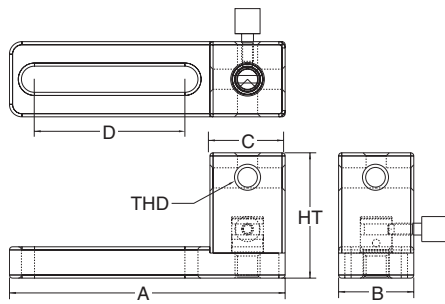
* Two sides have two rows of holes and two sides have one row of holes in the centre.

Tower block with base

For positioning a component vertically to the part set-up. Can be used without the base to allow full rotation.



R-TB-2530-8



Part no.	THD	HT	A	B	C	D
R-TB-1619-4	M4	26 mm	41 mm	16 mm	16 mm	15 mm
R-TB-2025-6	M6	35 mm	70 mm	20 mm	20 mm	35 mm
R-TB-2530-8	M8	40 mm	89 mm	25 mm	25 mm	45 mm

Included: socket head cap screws.

Trays

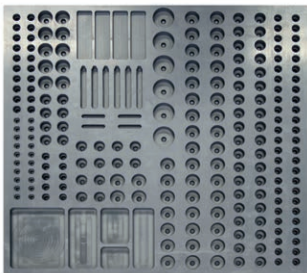
15.1



Large component tray

To hold and organise components.

Part no.	THD	Height	Length	Width
R-TC-560500	M6/M8	25 mm	560 mm	500 mm



R-TC-560500

Medium component tray

To hold and organise components.

Part no.	THD	Height	Length	Width
R-TC-500200	M6/M8	25 mm	500 mm	200 mm



R-TC-500200

Small component tray

To hold and organise components.



R-TC-300190-4



R-TC-300200

Part no.	THD	Height	Length	Width
M4 component tray				
R-TC-300190-4	M4	25 mm	300 mm	190 mm
M6/M8 component tray				
R-TC-300190-6	M6	25 mm	300 mm	190 mm
R-TC-300200	M6/M8	25 mm	300 mm	200 mm

Component storage box

10-compartment box to hold and organise components.



R-BC10

Part no.	Height	Length	Width
R-BC10	45 mm	203 mm	152 mm

Custom fixtures

16.1

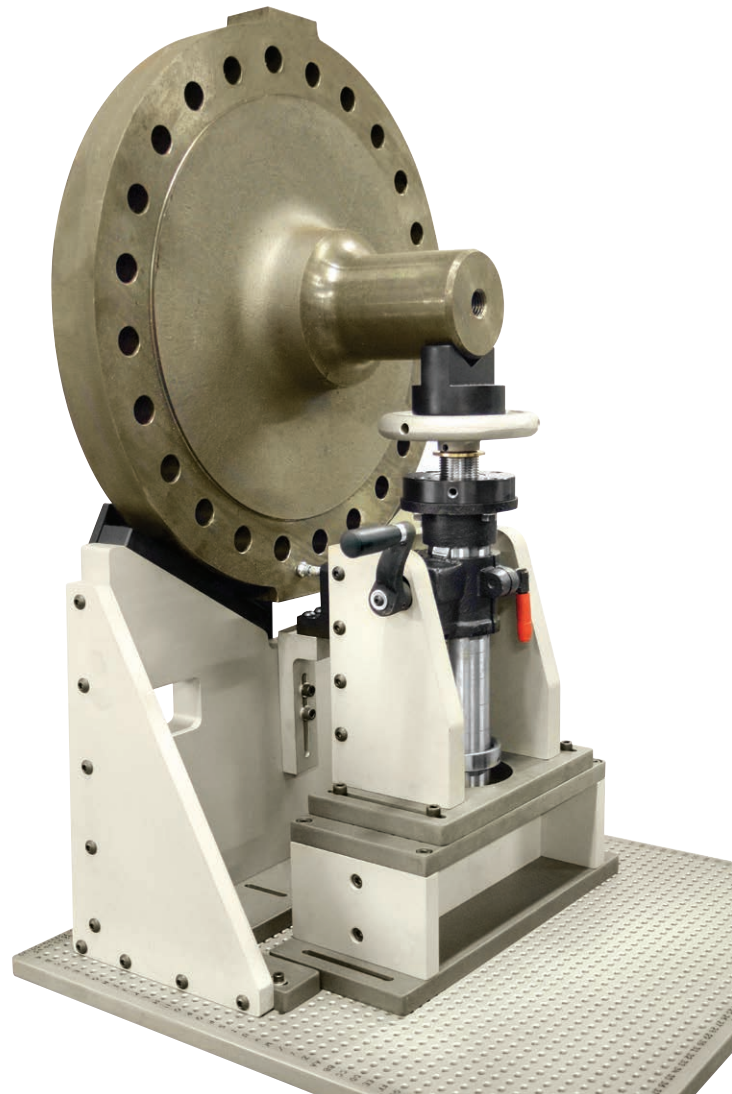
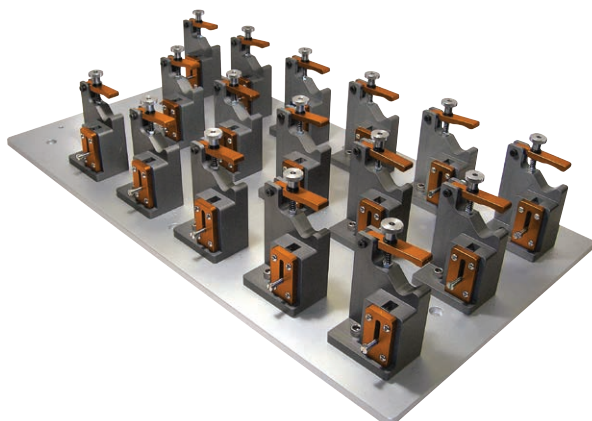
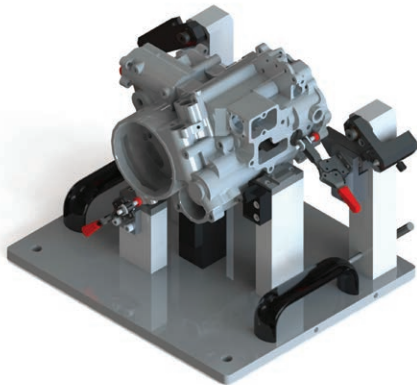
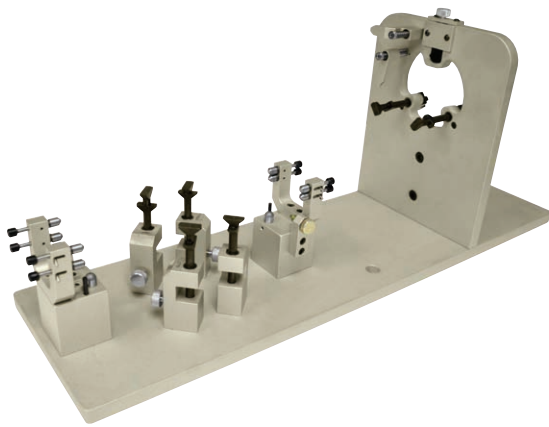
Custom fixtures for your application

If Renishaw's standard range of modular fixturing does not meet your requirements, we can provide you with custom fixtures for your CMM.

Renishaw's engineers will design and develop a custom fixture best suited to your requirements. All aspects of the application are taken into consideration, including:

- how frequently the part will be measured
- the type of material, size and shape of the part
- the dimensions and tolerances of the part
- the datums or orientation of the part
- the weight and size of the fixture.

To enable us to provide the best solution, you can submit your pictures, parts, drawings or CAD files for review. For more information, please contact your local sales office.



This page is intentionally left blank.

About Renishaw

Renishaw is an established world leader in engineering technologies, with a strong history of innovation in product development and manufacturing. Since its formation in 1973, the company has supplied leading-edge products that increase process productivity, improve product quality and deliver cost-effective automation solutions.

A worldwide network of subsidiary companies and distributors provides exceptional service and support for its customers.

Products include:

- Additive manufacturing and vacuum casting technologies for design, prototyping, and production applications
- Dental CAD/CAM scanning systems and supply of dental structures
- Encoder systems for high-accuracy linear, angle and rotary position feedback
- Fixturing for CMMs (co-ordinate measuring machines) and gauging systems
- Gauging systems for comparative measurement of machined parts
- High-speed laser measurement and surveying systems for use in extreme environments
- Laser and ballbar systems for performance measurement and calibration of machines
- Medical devices for neurosurgical applications
- Probe systems and software for job set-up, tool setting and inspection on CNC machine tools
- Raman spectroscopy systems for non-destructive material analysis
- Sensor systems and software for measurement on CMMs
- Styli for CMM and machine tool probe applications

For worldwide contact details, visit www.renishaw.com/contact



RENISHAW HAS MADE CONSIDERABLE EFFORTS TO ENSURE THE CONTENT OF THIS DOCUMENT IS CORRECT AT THE DATE OF PUBLICATION BUT MAKES NO WARRANTIES OR REPRESENTATIONS REGARDING THE CONTENT. RENISHAW EXCLUDES LIABILITY, HOWSOEVER ARISING, FOR ANY INACCURACIES IN THIS DOCUMENT.

© 2013 – 2015 Renishaw plc. All rights reserved.

Renishaw reserves the right to change specifications without notice.

RENISHAW and the probe symbol used in the **RENISHAW** logo are registered trade marks of Renishaw plc in the United Kingdom and other countries. **apply innovation** and names and designations of other Renishaw products and technologies are trade marks of Renishaw plc or its subsidiaries. All other brand names and product names used in this document are trade names, trade marks or registered trade marks of their respective owners.



H - 1000 - 0057 - 02

Part no.: H-1000-0057-02-A
Issued: 06.2015