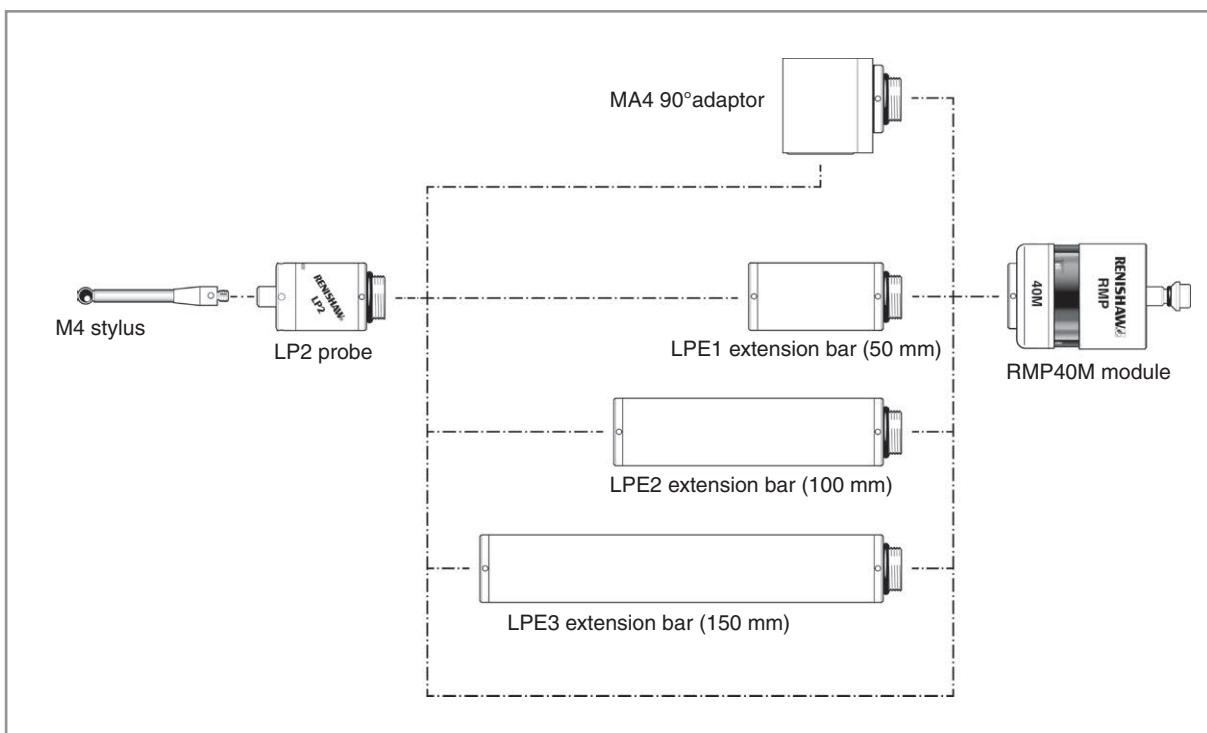


# Radio modular probes

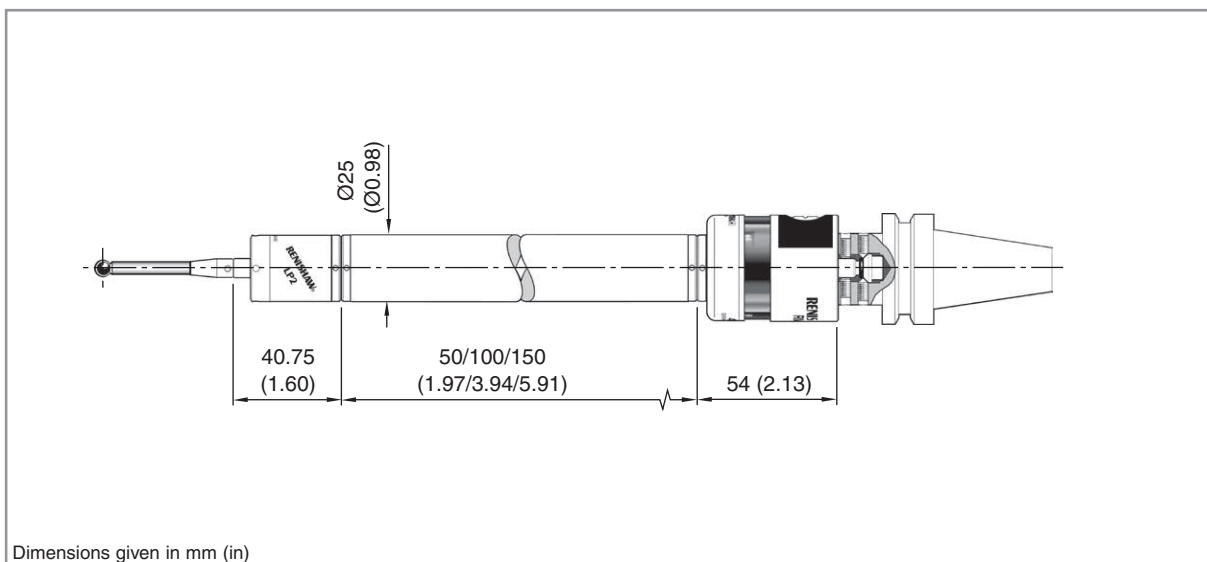


## RMP40M modular system

The RMP40M is a special modular version of the RMP40. It enables probe inspection of part features inaccessible to RMP40, by fitting selected adaptors and extensions as shown below.

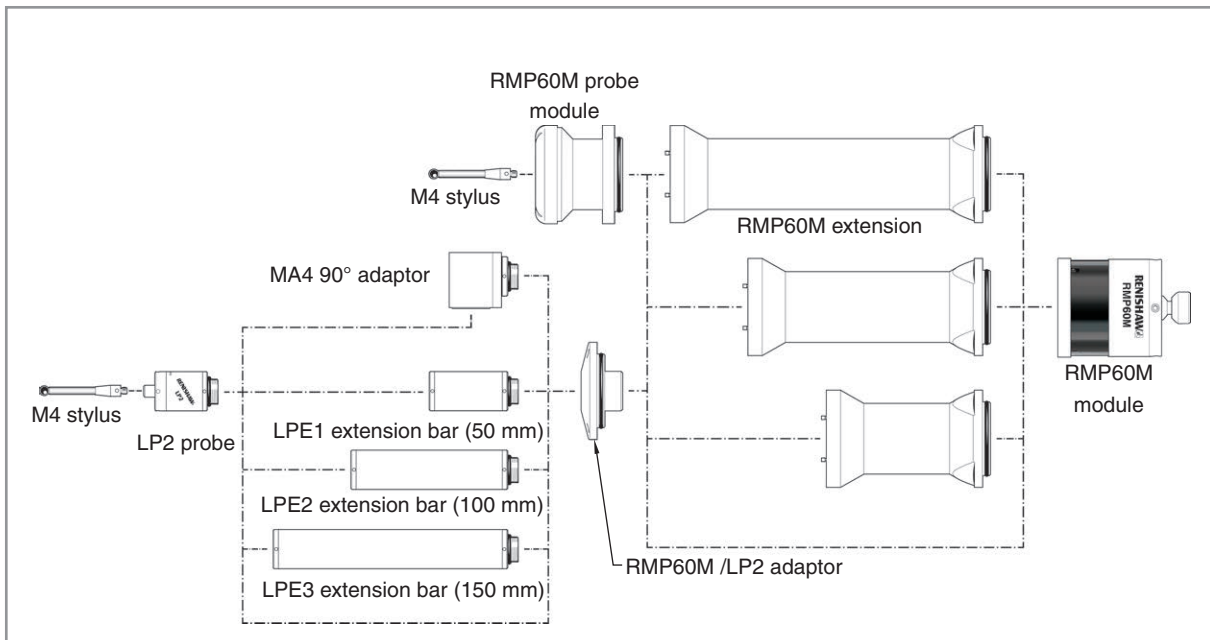


## RMP40M dimensions

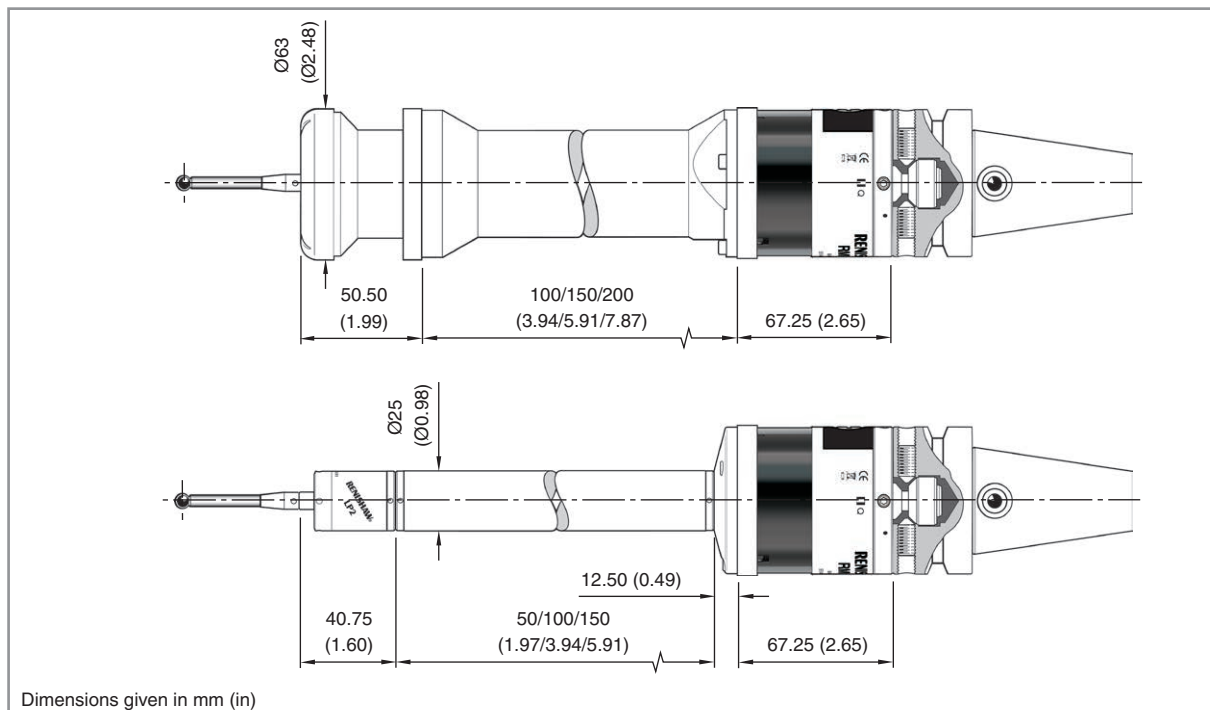


## RMP60M modular system

The RMP60M is a special modular version of the RMP60. It enables probe inspection of part features, inaccessible to RMP60, by fitting selected adaptors and extensions as shown.



## RMP60M dimensions



## Spare parts and accessories

A full range of spare parts and accessories is available.  
 Please contact Renishaw for a full list.

**For worldwide contact details, please visit our  
 main website at [www.renishaw.com/contact](http://www.renishaw.com/contact)**

RENISHAW HAS MADE CONSIDERABLE EFFORTS TO ENSURE THE CONTENT OF THIS DOCUMENT IS CORRECT AT THE DATE OF PUBLICATION BUT MAKES NO WARRANTIES OR REPRESENTATIONS REGARDING THE CONTENT. RENISHAW EXCLUDES LIABILITY, HOWSOEVER ARISING, FOR ANY INACCURACIES IN THIS DOCUMENT.

