

## MI 12 interface unit



© 1996 Renishaw. All rights reserved.

Renishaw® is a registered trademark of Renishaw plc.

This document may not be copied or reproduced in whole or in part, or transferred to any other media or language, by any means, without the prior written permission of Renishaw.

The publication of material within this document does not imply freedom from the patent rights of Renishaw plc.

Renishaw part no: H-2000-5073-05-J

Issued: 03.2003

## **Disclaimer**

Considerable effort has been made to ensure that the contents of this document are free from inaccuracies and omissions. However, Renishaw makes no warranties with respect to the contents of this document and specifically disclaims any implied warranties. Renishaw reserves the right to make changes to this document and to the product described herein without obligation to notify any person of such changes.

## **Trademarks**

All brand names and product names used in this document are trade names, service marks, trademarks, or registered trademarks of their respective owners.

**1-0**

**Installation and user's guide  
MI 12 interface**



**English**

---

**2-0**

**Manuel d'installation et d'utilisation  
Interface MI 12**



**Français**

---

**3-0**

**Installations und Anwenderhandbuch  
MI 12 Interface**



**Deutsch**

---

**4-0**

**Guida d'installazione ed uso  
Interfaccia MI 12**



**Italiano**

**FCC DECLARATION (USA)****FCC Section 15.19**

This device complies with Part 15 of the FCC rules.

Operation is subject to the following two conditions:

1. This device may not cause harmful interference.
2. This device must accept any interference received, including interference that may cause undesired operation.

**FCC Section 15.105**

This equipment has been tested and found to comply with the limits for a Class A digital device, pursuant to Part 15 of the FCC rules. These limits are designed to provide reasonable protection against harmful interference when the equipment is operated in a commercial environment.

This equipment generates, uses, and can radiate radio frequency energy and, if not installed and used in accordance with the instruction manual, may cause harmful interference to radio communications.

Operation of this equipment in a residential area is likely to cause harmful interference, in which case you will be required to correct the interference at your own expense.

**FCC Section 15.21**

The user is cautioned that any changes or modifications not expressly approved by Renishaw plc, or authorised representative could void the user's authority to operate the equipment.

**FCC Section 15.27**

The user is also cautioned that any peripheral device installed with this equipment such as a computer, must be connected with a high-quality shielded cable to insure compliance with FCC limits.

**GB****WARNINGS****Information for the user**

Replace blown fuses with new components of the same type. Refer to the SAFETY section of the relevant product documentation.

Remove power before performing any maintenance operations.

Refer to the machine supplier's operating instructions.

**Information for the machine supplier**

It is the machine supplier's responsibility to ensure that the user is made aware of any hazards involved in operation, including those mentioned in Renishaw product documentation, and to ensure that adequate guards and safety interlocks are provided.

Under certain circumstances the probe signal may falsely indicate a probe seated condition.

Do not rely on probe signals to stop machine movement.

**D****ACHTUNG****Informationen für den Benutzer**

Durchgebrannte Sicherungen müssen mit gleichwertigen ersetzt werden. Beziehen Sie sich bitte auf die SICHERHEITSHINWEISE in der Produktdokumentation.

Vor Wartungsarbeiten muss die Stromversorgung getrennt werden.

Beziehen Sie sich auf die Wartungsanleitungen des Lieferanten.

**Informationen für den Maschinenlieferanten**

Es obliegt dem Maschinenlieferanten, den Anwender über alle Gefahren, die sich aus dem Betrieb der Ausrüstung, einschließlich der, die in der Renishaw Produktdokumentation erwähnt sind, zu unterrichten und zu versichern, dass ausreichende Sicherheitsvorrichtungen und Verriegelungen eingebaut sind.

Unter gewissen Umständen könnte das Messtaster Fehlsignale melden (Ausgelenkt). Verlassen sie sich nicht auf das Messtastersignal um die Maschine zu stoppen.

**DK****ADVARSLER****Oplysninger til brugeren**

Udskift sikringer, der er sprunget, med nye komponenter af samme type. Se i afsnittet SIKKERHED (SAFETY) i produktdokumentationen.

Afbyrd strømforsyningen, før der foretages vedligeholdelse.

Se maskinleverandørens brugervejledning.

**Oplysninger til maskinleverandøren**

Det er maskinleverandørens ansvar at sikre, at brugeren er bekendt med eventuelle risici i forbindelse med driften, herunder de risici, som er nævnt i Renishaws produktdokumentation, og at sikre, at der er tilstrækkelig afskærmning og sikkerhedsblokeringer.

Under visse omstændigheder kan probesignalet ved en fejl angive, at proben står stille. Stol ikke på, at probesignaler stopper maskinens bevægelse.

**E****ADVERTANCIAS****Información para el usuario**

Sustituir los fusibles fundidos con componentes nuevos del mismo tipo. Remitirse a la sección titulada SEGURIDAD (SAFETY) en la documentación sobre el producto.

Quitar la corriente antes de emprender cualquier operación de mantenimiento.

Remitirse a las instrucciones de manejo del proveedor de la máquina.

**Información para el proveedor de la máquina**

Corresponde al proveedor de la máquina asegurar que el usuario esté consciente de cualquier peligro que implica el manejo de la máquina, incluyendo los que se mencionan en la documentación sobre los productos Renishaw y le corresponde también asegurarse de proporcionar dispositivos de protección y dispositivos de bloqueo de seguridad adecuados.

Bajo determinadas circunstancias la señal de la sonda puede indicar erróneamente que la sonda está asentada. No fiarse de las señales de la sonda para parar el movimiento de la máquina.

**F****AVERTISSEMENTS****Informations à l'attention de l'utilisateur**

Remplacer les fusibles grillés par des composants neufs du même type. Consulter la section SECURITE de votre documentation.

Mettre la machine hors tension avant d'entreprendre toute opération de maintenance.

Consulter le mode d'emploi du fournisseur de la machine.

**Informations à l'attention du fournisseur de la machine**

Il incombe au fournisseur de la machine d'assurer que l'utilisateur prenne connaissance des dangers d'exploitation, y compris ceux décrits dans la documentation du produit Renishaw, et d'assurer que des protections et verrouillages de sûreté adéquats soient prévus.

Dans certains cas, il est possible que le signal issu du capteur indique à tort que celui-ci est hors matière. Ne pas se fier aux signaux du capteur qui ne garantissent pas toujours l'arrêt de la machine.

## FIN TURVALLISUUS

### **Käyttäjälle tarkoitettuja tietoja**

Korvaa palaneet sulakkeet samantyyppisillä uusilla sulakkeilla. Lue tuoteselosteen TURVALLISUUTTA (SAFETY) koskeva osa.

Kytke virta pois päältä ennen huoltotoimenpiteitä.

Katso koneen toimittajan käyttöohjeita.

### **Tietoja koneen toimittajalle**

Koneen toimittajan vastuulla on, että käyttäjä on saanut tiedon mahdollisista käyttöön liittyvistä vaaroista, mukaan lukien Renishaw'n tuoteselosteessa mainitut vaarat. Konetoimittajan tulee myös varmistaa, että suojukset ja turvalukitukset ovat riittävät.

Tietyissä olosuhteissa anturilta tuleva siganaali saattaa osoittaa virheellisesti, että anturi on paikallaan. Älä luota anturin signaaleihin koneen liikkeen pysäyttämiseksi.

## GR ΠΡΟΕΙΔΟΠΟΙΗΣΕΙΣ

Πληροφορίες για τους χρήστες

Αντικαταστήστε τις καμένες ασφάλειες με νέες ασφάλειες του ίδιου τύπου. Ανατρέξτε στο κεφάλαιο SAFETY (ΑΣΦΑΛΕΙΑ) στο σχετικό εγχειρίδιο προϊόντος.

Αποσυνδέστε το μηχάνημα από το ηλεκτρικό ρεύμα προτού επιχειρήσετε τυχόν εργασίες συντήρησης.

Ανατρέξτε στις οδηγίες λειτουργίας του προμηθευτή του μηχανήματος.

Πληροφορίες για τους προμηθευτές των μηχανημάτων

Αποτελεί ευθύνη του προμηθευτή του μηχανήματος να εξασφαλίσει ότι ο χρήστης είναι ενήμερος ενδεχόμενων κινδύνων που συνεπάγεται η λειτουργία, συμπεριλαμβανομένων όσων αναφέρονται στο έντυπο συνοδευτικό υλικό των προϊόντων της Renishaw. Είναι επίσης ευθύνη του να εξασφαλίσει ότι υπάρχουν τα απαιτούμενα προστατευτικά καλύμματα και μανδάλωσεις ασφάλειας.

Σε ορισμένες περιπτώσεις το σήμα ανιχνευτή μπορεί να δείξει λανθασμένα ότι ο ανιχνευτής έχει τοποθετηθεί. Μη βασίζεστε στα σήματα ανιχνευτή για να διακόψετε την κίνηση του μηχανήματος.

## I SICUREZZA

### **Informazioni per l'utente**

Per essere in condizioni di sicurezza continuativa è indispensabile che il fusibile sia sostituito con un componente del tipo corretto e di uguale valore nominale. Consultare la sezione SICUREZZA nella documentazione dello specifico prodotto.

Prima di effettuare qualsiasi intervento di manutenzione, isolare dall'alimentazione di rete.

Consultare le istruzioni d'uso del fabbricante della macchina.

### **Informazioni per il fabbricante della macchina**

Il fornitore della macchina ha la responsabilità di avvertire l'utente dei pericoli inerenti al funzionamento della stessa, compresi quelli riportati nelle istruzioni della Renishaw, e di fornire ripari di sicurezza e interruttori di esclusione adeguati.

È possibile che in certe situazioni venga erroneamente prodotto un segnale che indica che la sonda è in posizione. Non fare affidamento sugli impulsi trasmessi dalla sonda per arrestare la macchina.

## NL WAARSCHUWINGEN

### **Informatie voor de Gebruiker**

Doorgeslagen zekeringen met nieuwe componenten van hetzelfde type vervangen. U wordt verwezen naar het hoofdstuk VEILIGHEID (SAFETY) in de produktendocumentatie.

Voordat u enig onderhoud verricht dient u de stroom uit te schakelen.

Raadpleeg de bedieningsinstructies van de machineleverancier.

### **Informatie voor de Machineleverancier**

De leverancier van de machine is ervoor verantwoordelijk dat de gebruiker op de hoogte wordt gesteld van de risico's die verbonden zijn aan bediening, waaronder de risico's die vermeld worden in de produktendocumentatie van Renishaw. De leverancier dient er tevens voor te zorgen dat de machine is voorzien van voldoende beveiligingen en veiligheidsgrendelinrichtingen.

Onder bepaalde omstandigheden kan het tastersignaal een onjuiste tastertoestand aangeven. Vertrouw niet op de tastersignalen voor het stoppen van de machinebeweging.



## P AVISOS

### **Informações para o Utilizador**

Substituir fusíveis danificados por novos componentes do mesmo tipo. Consultar a seção SEGURANÇA (SAFETY) na documentação do produto.

Desligar a alimentação de energia antes de efetuar qualquer operação de manutenção.

Consultar as instruções de funcionamento do fabricante da máquina.

### **Informações para o Fornecedor da Máquina**

É responsabilidade do fabricante da máquina assegurar que o usuário esteja consciente de quaisquer perigos envolvidos na operação, incluindo os mencionados na documentação dos produtos Renishaw e assegurar que são fornecidas proteções e bloqueios de segurança adequados.

Em determinadas circunstâncias, o sinal do apalpador pode indicar incorretamente uma condição de toque. Não confie nos sinais do apalpador para parar o movimento da máquina.

## SW VARNING

### **Information för användaren**

Byt ut smälta säkringar med nya av samma typ. Se avsnittet SÄKERHET (SAFETY) i produktdokumentationen.

Koppla bort strömmen innan underhåll utförs.

Se maskintillverkarens bruksanvisning.

### **Information för maskinleverantören**

Maskinleverantören ansvarar för att användaren informeras om de risker som drift innebär, inklusive de som nämns i Renishaws produktdokumentation, samt att tillräckligt goda skydd och säkerhetsförelagningar tillhandahålls.

Under vissa omständigheter kan sondens signal falskt ange att en sond är monterad. Lita ej på sondersignaler för att stoppa maskinens rörelse.

# Installation and user's guide - English

## **WARRANTY**

Equipment requiring attention under warranty must be returned to your supplier.

No claims will be considered where Renishaw equipment has been misused, or repairs or adjustments have been attempted by unauthorised persons.

## **CHANGES TO EQUIPMENT**

Renishaw reserves the right to change specifications without notice.

## **CNC MACHINE**

CNC machine tools must always be operated by competent persons in accordance with manufacturers instructions.

## **MI 12 MAINTENANCE**

No maintenance or cleaning is required.

## **IP RATING**

IP30.

## **ENVIRONMENT**

### **Temperature**

The MI 12 is specified for storage over  $-10^{\circ}$  to  $70^{\circ}$  C ( $14$  to  $158^{\circ}$  F) and operation over  $5^{\circ}$  to  $60^{\circ}$  C ( $41^{\circ}$  to  $140^{\circ}$  F) ambient temperature range.

**CE**

**The MI 12-B** is a bare board version of the MI 12. In order for this product to achieve satisfactory EMC susceptibility performance, it must be mounted in a suitable machined or extruded enclosure.

# Contents

MI 12 INTERFACE PANEL MOUNTING KIT	...	...	...	...	1-2
MI 12 INTERFACE UNIT	...	...	...	...	1-4
MI 12 AND MI 12-B	...	...	...	...	1-5
LED - DIAGNOSTIC DISPLAY	...	...	...	...	1-6
MI 12 OUTPUT WAVEFORMS	...	...	...	...	1-7
SWITCH SW2	...	...	...	...	1-8
SWITCH SW3	...	...	...	...	1-9
FUSES	...	...	...	...	1-10
TEST POINTS for SIGNAL STRENGTH	...	...	...	...	1-10
WIRING DIAGRAM	...	...	...	...	1-11

## **SAFETY**

**Ensure the machine tool is in a safe state, and power is removed from the unit before removing cover.**

**Only qualified persons should adjust switches or replace fuses.**

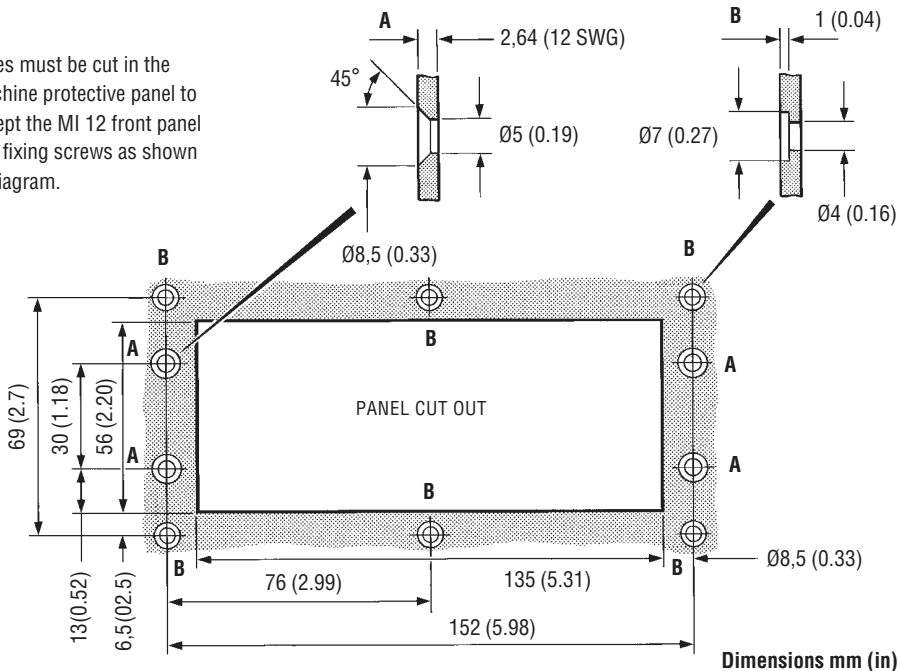
**MI 12 INTERFACE UNIT  
 PANEL MOUNTING KIT  
 Part no. A-2033-0690**

The interface unit may be mounted inside the CNC machine cabinet, using the optional panel mounting kit.

Holes must be cut in the machine protective panel to accept the MI 12 front panel and fixing screws as shown in diagram.

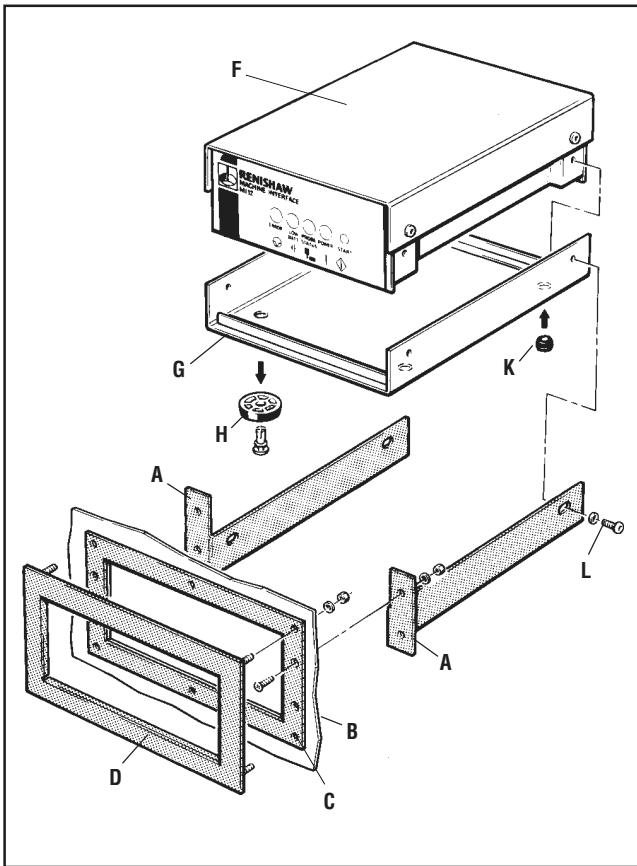
**A.** Four countersunk holes  
 $\varnothing 8,5$  to  $\varnothing 5$  mm ( $\varnothing 0.33$  to  $\varnothing 0.19$  in)

**B.** Six holes  
 $\varnothing 4$  mm ( $\varnothing 0.16$  in) through.  
 Counterbore  $\varnothing 7 \times 1$  mm  
 ( $\varnothing 0.27 \times 0.04$  in) deep.



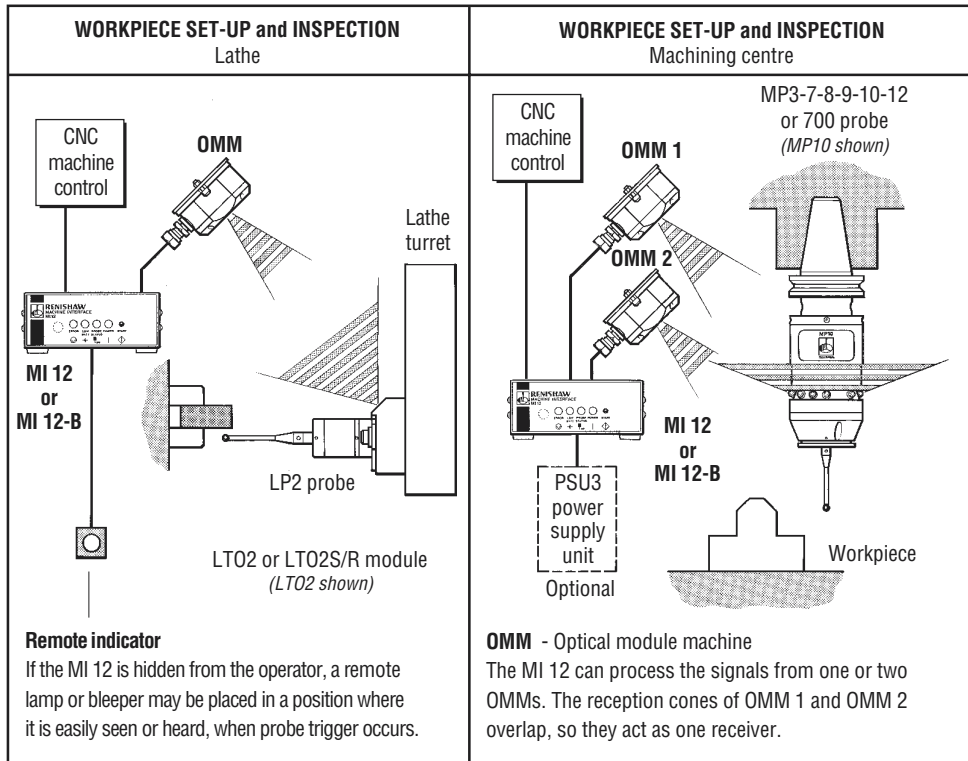
## MI 12 INTERFACE UNIT PANEL MOUNTING ASSEMBLY

1. Fit brackets A to panel B with screws, washers and nuts.  
(A self clinching stud may be used in place of screw).
2. Remove protective paper from gasket C. Attach gasket C to bezel D.
3. Fit bezel D to panel B using washers and nuts.
4. Remove base plate G from interface unit F.
5. Remove footpads H from base plate G.
6. Insert grommet K into four baseplate holes.
7. Fit baseplate G within brackets A.
8. Mount Interface cabinet F onto baseplate G.
9. Slide cabinet F towards bezel D to form a good seal.
10. Fit washers and screws L.



## MI 12 INTERFACE UNIT

CNC machine tools using a Renishaw probe system for workpiece set-up and inspection require an interface unit, to convert probe signals into an acceptable form for the CNC machine control. The MI 12 interface unit is for probe systems using optical signal transmission.



## MI 12 and MI 12-B

There are two versions of the MI 12 interface.

### 1. MI 12 interface unit

The interface is contained within a Renishaw enclosure, which is free standing or attached to the panel mounting kit.

### 2. MI 12-B

Board only for mounting within the machine tool cabinet.

### MI 12 board only (MI 12-B)

The MI 12 board is panel mounted, using either a set of self adhesive feet or alternative M4 support studs.

### Power supply

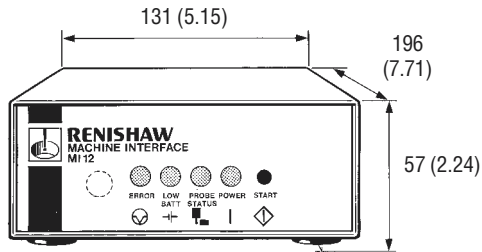
The MI 12 interface can draw its supply from the CNC machine +15 V to 30 V d.c. and presents a load of up to 400 mA.

Alternatively, power may be supplied from a Renishaw PSU3 power supply unit

- see Users guide H-2000-5075.

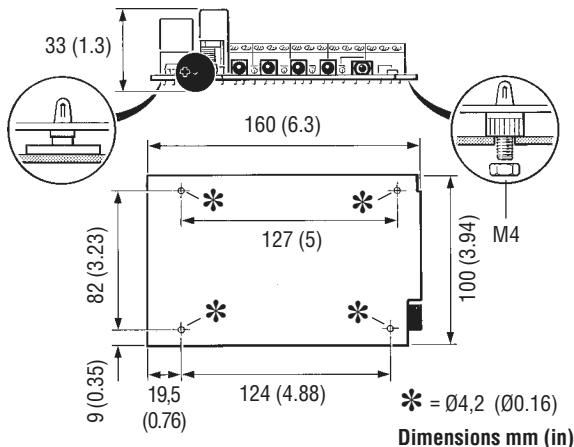
MI 12 interface unit

Part no. A-2075-0142



MI 12-B

Part No. A-2075-0141



\* = Ø4,2 (Ø0.16)  
Dimensions mm (in)

## LED - DIAGNOSTIC DISPLAY

**System status**

System status is presented visually in a continuously updated form, on the front panel diagnostic LED display, and by outputs available from the MI 12 to the CNC control.

**Outputs from MI 12**

There are four solid state relay (SSR) outputs, comprising two probe complementary outputs, an error output and a low battery output.

Maximum current  $\pm 40$  mA peak

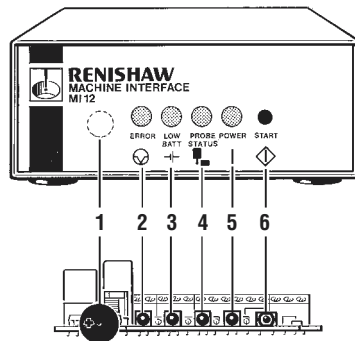
Maximum voltage  $\pm 50$  V peak

**EACH SSR OUTPUT IS PROTECTED FROM OVERLOAD BY A 62 mA FUSE.**

**Remote audible indicator**

In addition there is one output for a remote audible indicator or lamp, which can be located near the machine operator.

The output will sink 100 mA and should have no more than +50 V d.c. applied to it. The output will remain active for 44 ms after each probe change of state.



MI 12

MI 12-B

**1. Audible indicator (bleeper)**

The speaker is behind the front panel.

**2. LED error**

Lit when optical beam obstructed, probe out of range, probe switched off, etc.

**3. LED low battery**

Replace probe batteries as soon as practicable, after this LED lights up.

**4. LED probe status**

Lit when probe is seated.  
Off when stylus is deflected or an error has occurred.

**5. LED power**

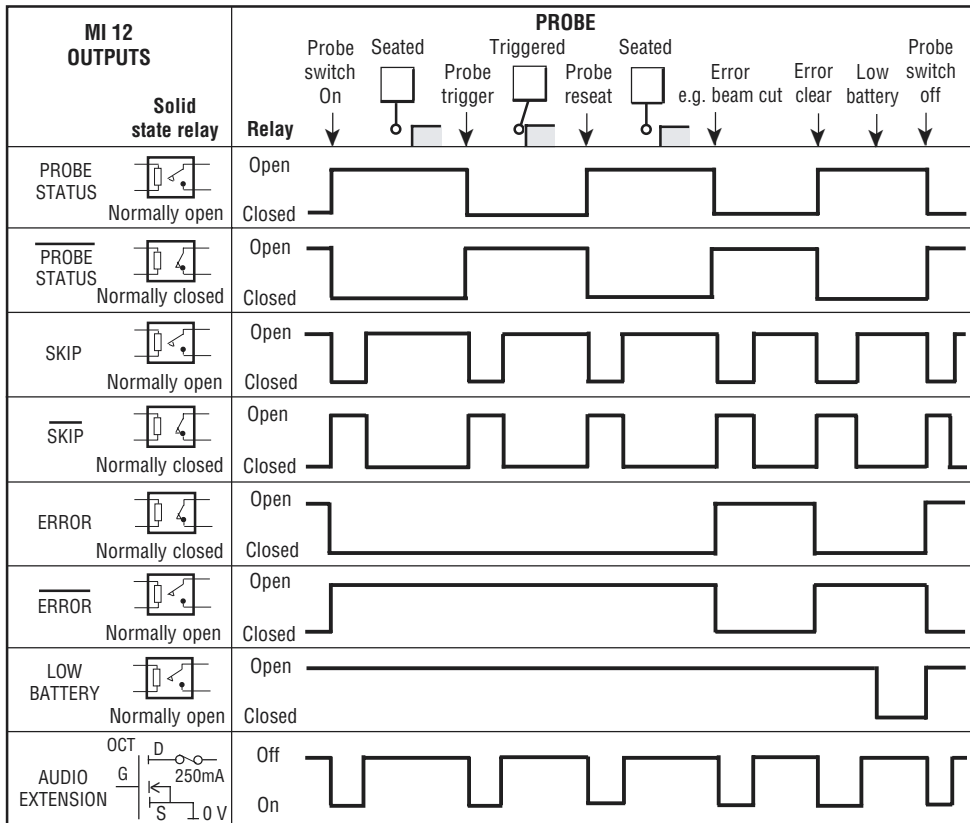
Lit when power is on.

**6. Start button - switch SW1**

Manual start push button.  
Press button to switch system to operating mode.  
Alternatively a signal from the machine control can be used for the same purpose.



## INTERFACE - OUTPUT WAVEFORMS



The output signals from the interface must be compatible with the machine control input.

## SWITCH SW2

This switch is factory set as shown in diagram i.e. machine start and standard OMMs.

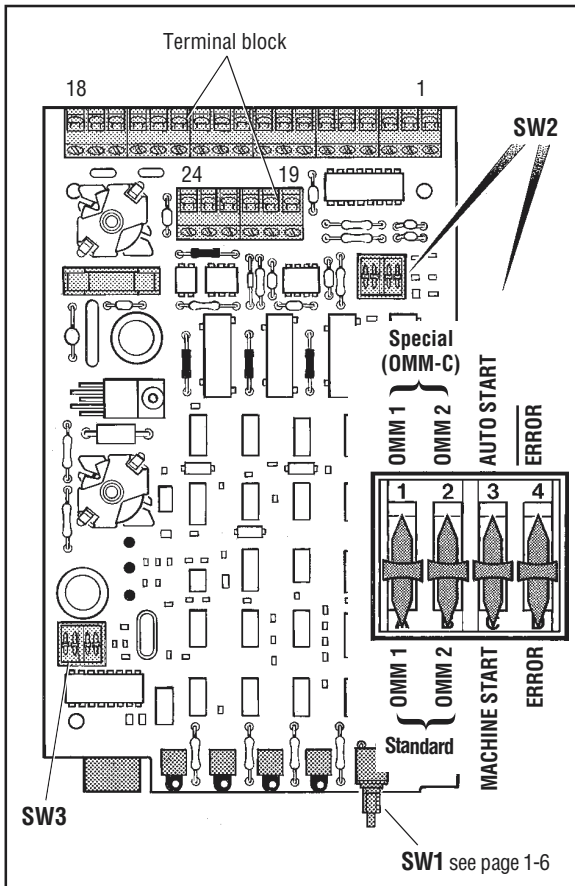
AUTO START selection causes the system to send a start signal once every second and does not require a CNC machine control input.

AUTO START should only be used when no output from the machine control is available. If this mode is selected, care should be taken to ensure system signals are not receivable from probing systems on other machines.

To initiate a MACHINE START signal, an input of between 4,25 V at 1 mA and 30 V at 10 mA is required between terminals 21(+) and 22 (-). (TTL compatible when connected between +5 V and TTL output).

This is an isolated input.  
Minimum pulse width is 1 ms.  
Maximum pulse width is 150 ms.

The manual start switch SW1 is disabled for the duration of the MACHINE START input signal.



ERROR opens the relay contacts when an error condition occurs.

ERROR closes the relay contacts when an error condition occurs.

### SWITCH SW3

This switch enables normally open and normally closed options to be selected for skip and status.






The interface is factory set to option 1.

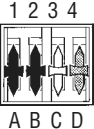

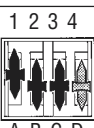

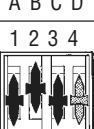
### IMPORTANT

Care must be taken to ensure correct connections to terminals.

### NOTE

All relay contacts return to an open circuit condition when power is removed from the MI 12.

KEY	
	N/O Normally open.
	N/C Normally closed.
	Switch must be in position shown.
	Switch can be in either position.
	Beeper on/bleeper off. Factory set to beeper on.

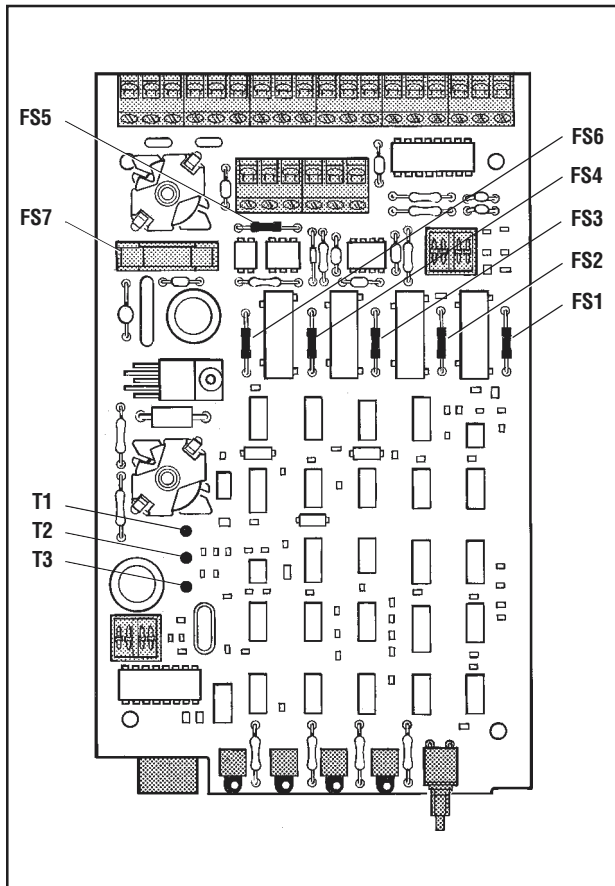
OPTION	TERMINALS 14 & 15 see page 1-11	TERMINALS 23 & 24 see page 1-11	SW3
1	PROBE STATUS N/O	PROBE STATUS N/C	
2	SKIP N/C	PROBE STATUS N/C	
3	SKIP N/O	PROBE STATUS N/C	
4	PROBE STATUS N/O	SKIP N/C	
5	PROBE STATUS N/O	SKIP N/O	

**FUSES****Part no.**Fuse 62 mA (FF) **P-FS20-0062**Fuse 250 mA (FF) **P-FS20-1A25**Fuse 500 mA (T) **P-FS01-1A50****FS1** - 62 mA (FF) Spare.**FS2** - 62 mA (FF) Error.**FS3** - 62 mA (FF) Low battery.**FS4** - 62 mA (FF) Probe status N/C.**FS6** - 62 mA (FF) Probe status N/O.**FS5** - 250 mA (FF)  
Audio extension protection.**FS7** - 500 mA (T)  
Power supply protection.**TEST POINTS FOR  
SIGNAL STRENGTH****T1 - OMM 2**

Minimum receivable signal  
approximately 0,36 V d.c.  
Maximum signal strength output  
approximately 7 V d.c.

**T2 - OMM 1**

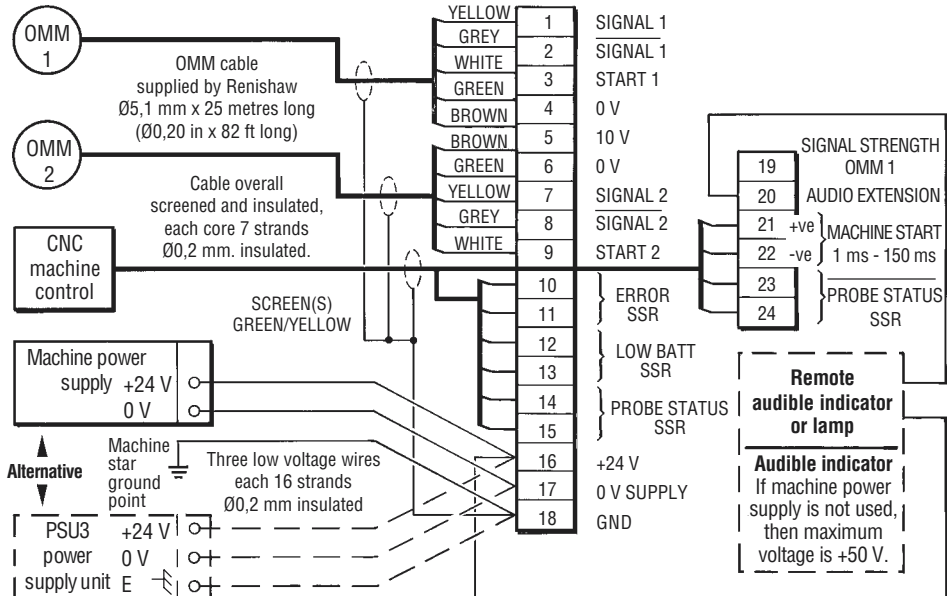
Signal strength levels same as T1  
(Also available on terminal 19).

**T3 - 0 V reference.**

## WIRING DIAGRAM

The interface can support two OMMs from terminals 1 - 9.

The audio extension (terminal 20) supports a remote audible indicator or lamp (not available from Renishaw), usually located near the machine operator.



- Note:**
1. The supply 0 V and all 0 V signal reference terminals are isolated from case.
  2. Grounding of the case and 0 V should be made to comply with all relevant safety standards. Care should be taken to avoid ground coupled interference.
  3. Please consult your Renishaw supplier for wiring details of special OMM-C.

# Manuel d'installation et d'utilisation - Français

## **GARANTIE**

L'équipement à réparer sous garantie doit être renvoyé à votre fournisseur.

Aucune réclamation concernant l'équipement Renishaw ne sera étudiée en cas d'utilisation impropre, de réparations ou de réglages effectués par toute personne non autorisée.

## **MODIFICATION DE L'EQUIPEMENT**

Renishaw se réserve le droit de modifier les spécifications de l'équipement sans préavis.

## **MACHINES CNC**

Les machines-outils à CNC doivent uniquement être utilisées par des opérateurs compétents, en suivant les consignes du fabricant.

## **ENTRETIEN DU MI 12**

Aucun entretien périodique ni nettoyage n'est nécessaire.

## **CONFORMITE IP**

IP30.

## **ENVIRONNEMENT**

### **Température**

Le MI 12 est conçu pour une conservation à température ambiante comprise entre -10° et 70° C et une exploitation à température ambiante comprise entre 5° et 60° C.



**Le MI 12-B** est la version sans boîtier. Pour que cet équipement soit conforme aux directives EMC, il doit être monté de façon appropriée ou installé dans un coffret métallique.

## Sommaire

KIT DE MONTAGE DU MODULE D'INTERFACE MI 12	2-2
MODULE D'INTERFACE MI 12 ... ..	2-4
MI 12 ET MI 12-B ... ..	2-5
AFFICHAGE A LED DES DIAGNOSTICS ... ..	2-6
FORMES D'ONDES DE SORTIE MI 12 ... ..	2-7
INTERRUPTEUR SW2 ... ..	2-8
INTERRUPTEUR SW3 ... ..	2-9
FUSIBLES ... ..	2-10
POINTS DE TEST DE LA PUISSANCE DU SIGNAL ... ..	2-10
SCHEMA DE CABLAGE ... ..	2-11

### **SECURITE**

**Veiller à ce que la machine-outil ne présente aucun danger et isoler du secteur avant de déposer le couvercle.**

**Seules les personnes qualifiées sont autorisées à ajuster les interrupteurs ou remplacer les fusibles.**

## KIT DE MONTAGE DE L'INTERFACE MI 12 EN FACE AVANT

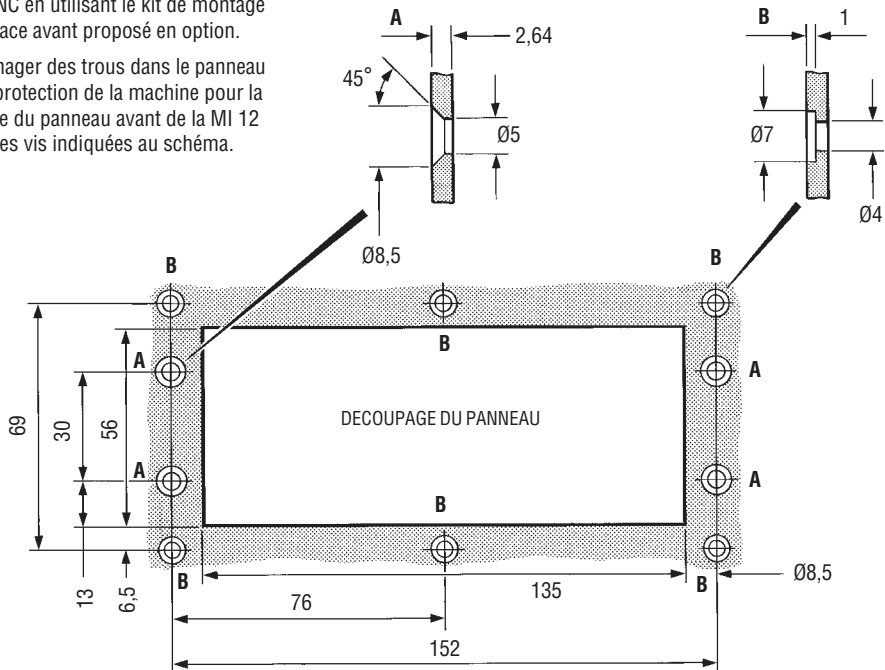
Référence A-2033-0690

On peut monter le boîtier de l'interface à l'intérieur de la machine à CNC en utilisant le kit de montage en face avant proposé en option.

Ménager des trous dans le panneau de protection de la machine pour la pose du panneau avant de la MI 12 et des vis indiquées au schéma.

A. Quatre trous chanfreinés  
dia 8,5 à 5 mm.

B. Six trous droits dia 4 mm.  
Réalisés dia 7 x 1 mm  
profondeur.

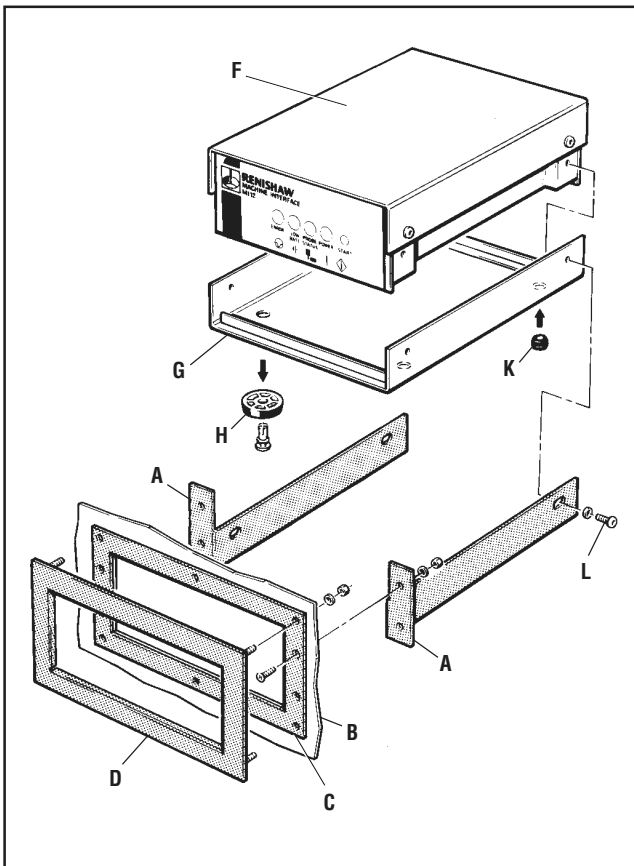


Dimensions en mm



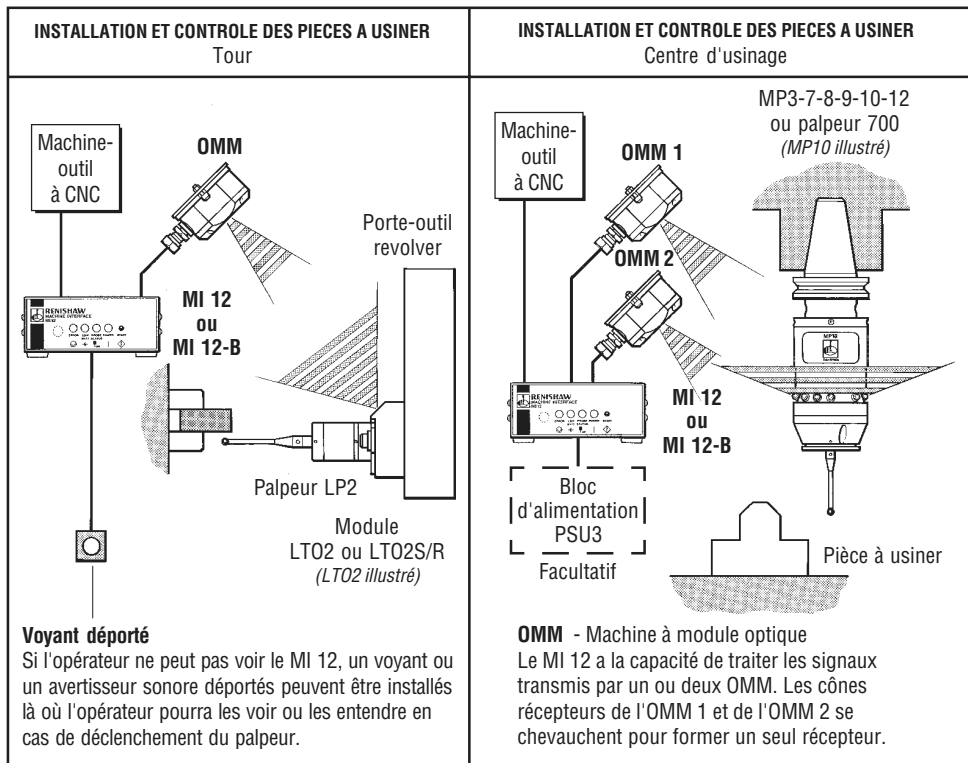
## INTERFACE MI 12 MONTAGE SUR PANNEAU

1. Fixer les pattes de montage A au panneau B avec vis, rondelles et écrous. (On peut remplacer les vis par des crampons).
2. Retirer le papier de protection sur le joint C. Poser le joint C sur l'entourage D.
3. Fixer l'entourage D au panneau B avec des rondelles et des écrous.
4. Retirer l'embase G de l'interface F.
5. Retirer les patins H de la plaque G.
6. Insérer le passe-fils K dans les quatre trous de la plaque G.
7. Poser la plaque G à l'intérieur des pattes de montage A.
8. Monter boîtier F d'interface sur la plaque G.
9. Faire glisser boîtier F vers l'entourage D pour assurer une bonne étanchéité.
10. Poser les rondelles et les vis L.



## MODULE D'INTERFACE MI 12

Les machines-outils à CNC équipées du système de palpeur Renishaw pour l'installation et le contrôle des pièces à usiner exigent la présence d'un module d'interface servant à convertir les signaux du palpeur en un signal acceptable par la commande numérique. Le module d'interface MI 12 fait partie intégrante des systèmes de palpeur à transmission de signaux optiques.



## Il y a 2 versions de l'interface MI 12.

### 1. Unité d'interface MI 12

Sous la forme d'un boîtier standard Renishaw, à poser ou à monter sur panneau (au moyen du kit de montage approprié).

### 2. MI 12-B

Carte à insérer dans le coffret de contrôle de la machine outil.

### Carte d'Interface MI 12

#### Seule (MI 12-B)

Le circuit d'interface est monté sur une carte recevant soit des patins auto-collants soit des fixations M4.

### Alimentation électrique

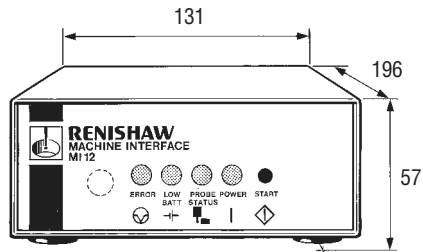
L'interface MI 12 peut s'alimenter sur la machine à CNC +15 V à 30 V c.c. et représente une charge atteignant 400 mA.

Sinon, l'alimentation peut provenir d'un bloc PSU3 de Renishaw - voir Manual d'utilisation H-2000-5057.

## MI 12 et MI 12-B

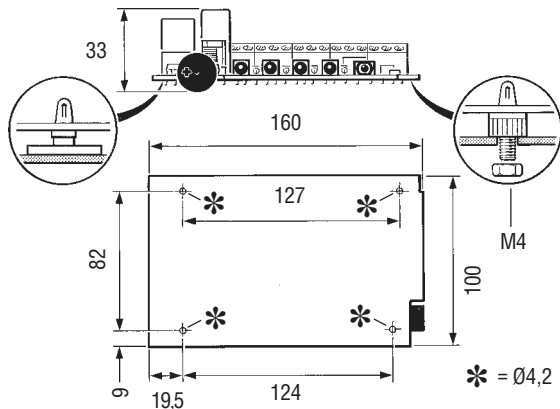
### Interface MI 12

Référence A-2075-0142



### MI 12-B

Référence A-2075-0141



Dimensions en mm

## LED - PANNEAU DE DIAGNOSTIC

**Etat du système**

L'état du système est affiché et continuellement mis à jour au tableau avant de diagnostic LED et peut être transmis de la MI 12 à la commande CNC.

**Sorties de MI 12**

Il y a quatre sorties à relais statique SSR comprenant deux sorties complémentaires de palpeurs, une sortie d'erreur et une sortie de baisse de charge de pile.

Courant maximum  $\pm 40$  mA pointe.  
Tension maximum  $\pm 50$  V pointe.

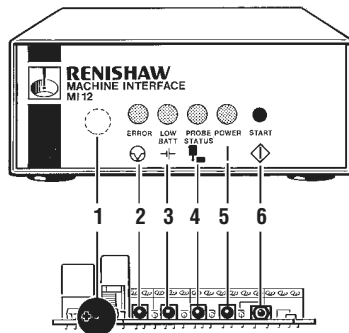
**CHAQUE SORTIE SSR EST PROTEGEE DES SURCHARGES PAR UN FUSIBLE 62mA.**

**Avertisseur sonore à distance**

Il existe en plus une sortie pour un avertisseur sonore à distance ou une lampe qui peut être placée près de l'opérateur.

La sortie est pour 100 mA et la tension appliquée ne doit pas dépasser +50 V c.c.

La sortie restera active pendant 44 ms après chaque changement d'état du palpeur.



MI 12

MI 12-B

**1. Avertisseur sonore (bip)**

Le bruiteur se trouve derrière le tableau avant.

**2. LED Erreur**

Allumée quand le faisceau optique est interrompu, le palpeur hors de sa portée de fonctionnement, le palpeur éteint, etc.

**3. LED Baisse de charge de pile**

Changer les piles du palpeur dès que possible si la LED est allumée.

**4. LED Etat du palpeur**

Allumée quand le palpeur est en place. Eteinte si le stylet est dévié ou s'il s'est produit une erreur.

**5. LED Tension**

Allumée quand l'appareil est sous tension.

**6. Bouton de démarrage Interrupteur-SW1**

Bouton-poussoir de démarrage manuel.

Appuyer sur le bouton pour mettre le système en mode de fonctionnement.

Un signal en provenance de la commande de la machine peut également être utilisé à cet effet.

SORTIES MI 12	Relais Statique	PALPEUR									
		Palpeur sous tension	Au repos Déclenchement de palpeur	Déclenché	Au repos Remise en place du palpeur	Erreur ex. Faisceau interrompu	Erreur éliminée	Pile hors d'usage	Palpeur à l'arrêt		
ETAT DU PALPEUR Normalement ouvert		Ouvert									
ETAT DU PALPEUR Normalement fermé		Ouvert									
SAUT Normalement ouvert		Ouvert									
SAUT Normalement fermé		Ouvert									
ERREUR Normalement fermé		Ouvert									
ERREUR Normalement ouvert		Ouvert									
PILE HORS D'USAGE Normalement ouvert		Ouvert									
EXTENSION AUDIO		Arrêt									

Les signaux de sortie en provenance de l'interface doivent être compatibles avec l'entrée de commande de la machine.

## INTERRUPTEUR SW2

Cet interrupteur est réglé en usine comme indiqué sur le schéma, en position MACHINE START et OMM Standard.

L'option AUTO START instruit le système d'envoyer un signal de démarrage une fois par seconde et n'exige pas une entrée en provenance de la commande de la machine à CNC.

AUTO START ne doit être utilisé que s'il n'y a pas de sortie à partir de la commande de la machine. Si l'on adopte ce mode, veiller à ce que les signaux du système ne puissent pas être reçus sur des installations de palpeurs voisins.

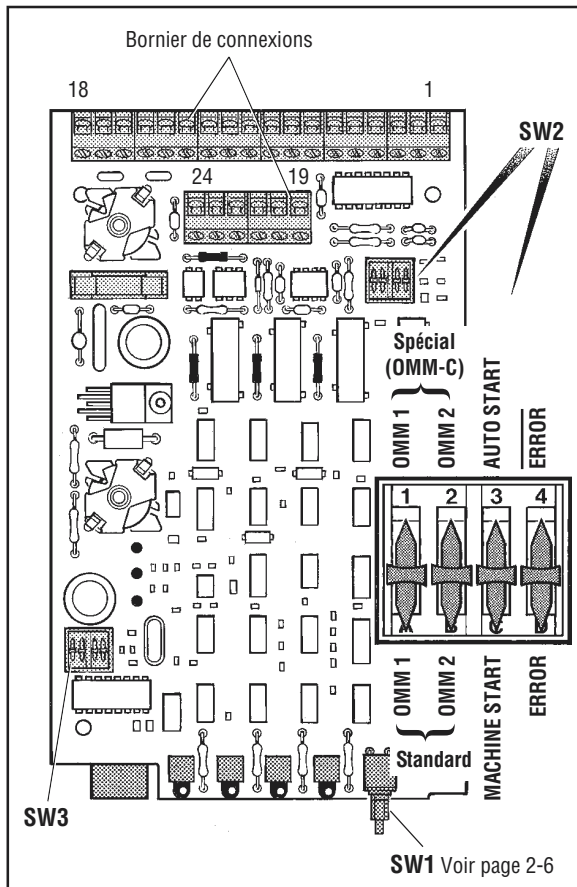
Pour amorcer un signal MACHINE START, il faut une alimentation se situant entre 4,25 V à 1 mA et 30 V à 10 mA entre les bornes 21(+) et 22(-). (TTL compatible si raccordé entre +5 V et sortie TTL).

Cette entrée est isolée.

L'espace minimum entre deux impulsions est de 1 ms.

La largeur de l'impulsion est de 150 ms maximum.

L'interrupteur de mise en marche manuelle SW1 est inactivé durant l'impulsion MACHINE START.



ERREUR ouvre le contact du relais lorsque la condition apparaît.

ERREUR fermé le contact du relais lorsque la condition apparaît.

### INTERRUPTEUR SW3




Cet interrupteur permet la sélection des options Normalement ouvert et Normalement fermé pour saut et état. L'interface est réglée en usine sur option 1.

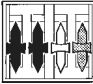
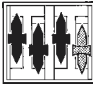
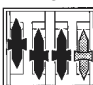


### IMPORTANT

Bien faire les raccordements aux bornes.

### REMARQUE

Tous les contacts de relais s'ouvrent lorsque le MI 12 n'est plus alimenté.

LEGENDE	
N/O	Normalement ouvert.
N/C	Normalement fermé.
	L'interrupteur doit être à la position donnée.
	L'interrupteur peut être à l'une ou l'autre position donnée.
	Marche/arrêt bruiteur. Réglé en usine pour la marche.

OPTION	BORNES 14 & 15 Voir page 2-11	BORNES 23 & 24 Voir page 2-11	SW3
1	ETAT DU PALPEUR N/O	ETAT DU PALPEUR N/C	1 2 3 4  A B C D
2	SAUT N/C	ETAT DU PALPEUR N/C	1 2 3 4  A B C D
3	SAUT N/O	ETAT DU PALPEUR N/C	1 2 3 4  A B C D
4	ETAT DU PALPEUR N/O	SAUT N/C	1 2 3 4  A B C D
5	ETAT DU PALPEUR N/O	SAUT N/O	1 2 3 4  A B C D

**FUSIBLES****Référence**Fusible 62 mA (FF) **P-FS20-0062**Fusible 250 mA (FF) **P-FS20-1A25**Fusible 500 mA (T) **P-FS01-1A50****FS1** - 62 mA (FF)

Fusible de recharge.

**FS2** - 62 mA (FF) Erreur.**FS3** - 62 mA (FF)

Faible charge de pile.

**FS4** - 62 mA (FF)

Etat du palpeur N/F.

**FS6** - 62 mA (FF)

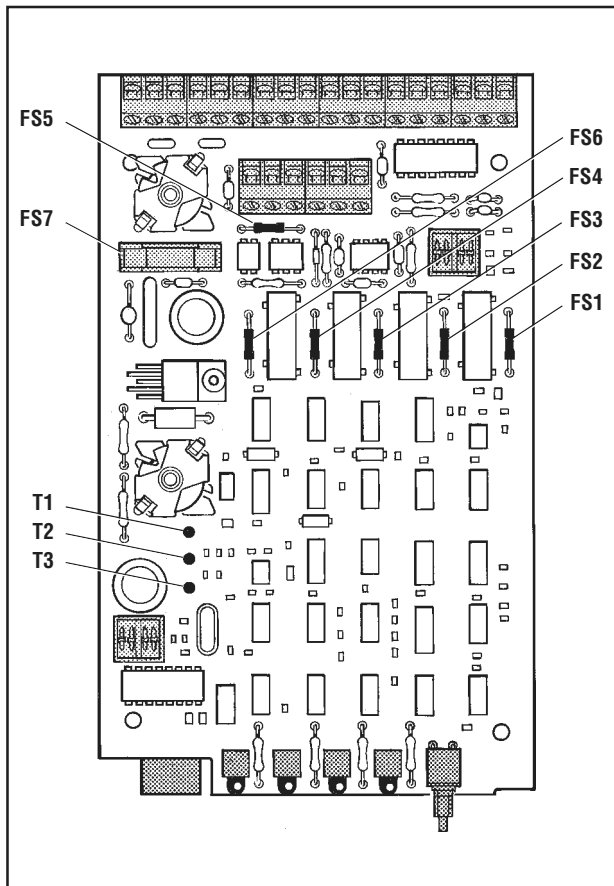
Etat du palpeur N/O.

**FS5** - 250 mA (FF)

Protection extension audio.

**FS7** - 500 mA - (T)Protection contre les  
surtensions.**POINTS DE CONTROLE DE LA  
FORCE DES SIGNAUX****T1** - **OMM 2**Signal minimum recevable  
environ 0,36 V c.c.  
Sortie maximum de signal  
environ 7 V c.c.**T2** - **OMM 1**Niveaux du signal indentique  
au **T1**

(Disponible aussi sur borne 19).

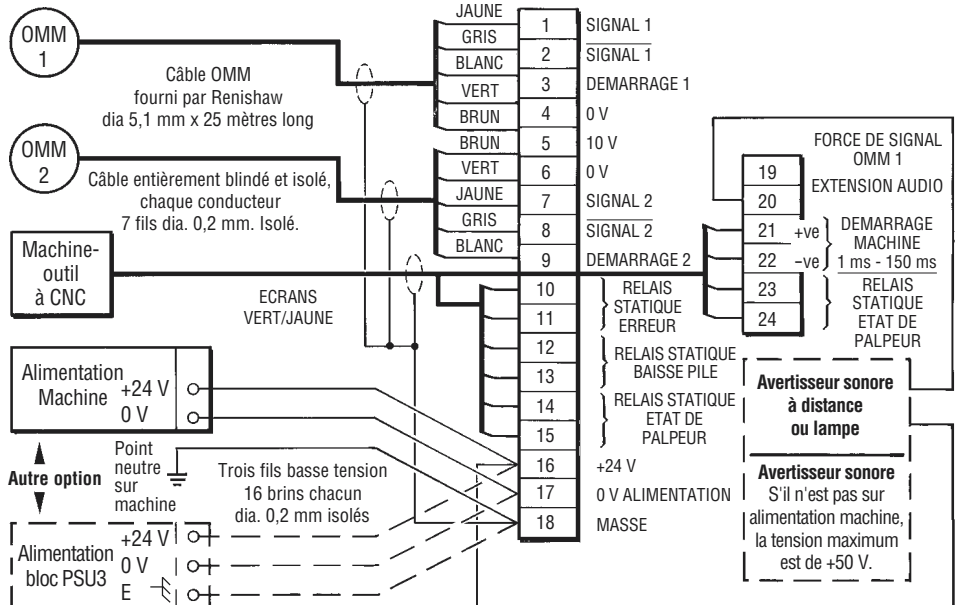
**T3** - **Référence 0 V.**



## SCHÉMA DE CÂBLAGE

L'interface peut servir deux OMM à partir des bornes 1 à 9.

L'extension audio (borne 20) dessert un avertisseur sonore à distance ou lampe (non disponible chez Renishaw), normalement placée près de l'opérateur.



### Remarque :

1. L'alimentation 0 V et toutes les bornes de références de signaux 0 V sont isolées du boîtier.
2. La mise à la masse du boîtier et 0 V doivent être conformes à toutes les normes de sécurité appropriées. Prendre soin d'éviter les interférences liées à la terre.
3. Veuillez consulter votre revendeur Renishaw pour la spécification de câblage des OMM-C spéciaux.

# Installations und Anwenderhandbuch - Deutsch

## **GARANTIE**

Einrichtungen, die innerhalb der Garantiezeit Mängel aufweisen, sind an den Lieferanten zurückzusenden.

Für ungeeignete oder unsachgemäße Verwendung, fehlerhafte oder nachlässige Behandlung durch den Besteller oder Dritte wird keine Haftung übernommen.

## **ÄNDERUNGSVORBEHALT**

Renishaw behält sich das Recht vor, technische Verbesserungen anzubringen, ohne verpflichtet zu sein, die früher verkaufte Einrichtung auch ändern zu müssen.

## **CNC-MASCHINEN**

CNC-Werkzeugmaschinen sollten stets von Fachleuten gemäß den Anleitungen des Herstellers bedient werden.

## **WARTUNG**

Eine routinemäßige Wartung oder Reinigung ist nicht erforderlich.

## **DICHTHEIT**

IP30

## **UMGEBUNGSBEDINGUNGEN**

### **Temperatur**

Die MI 12 Einheit ist für Lagerung über  $-10^{\circ}\text{C}$  bis  $70^{\circ}\text{C}$  und für einen Betrieb über  $0^{\circ}\text{C}$  bis  $60^{\circ}\text{C}$  Umgebungstemperatur spezifiziert.



**Das MI 12-B** ist eine reine Leiterplatten-Version des MI 12. Damit dieses Produkt eine zufriedenstellende EMC Verträglichkeit erreicht, muss es in einem geeigneten Gehäuse eingebaut werden.

## Inhalt

MI 12 INTERFACE EINBAUKIT	...	...	...	3-2
MI 12 INTERFACE	...	...	...	3-4
MI 12 UND MI 12-B	...	...	...	3-5
LED - DIAGNOSEANZEIGE	...	...	...	3-6
MI 12 - AUSGANGSSIGNALE	...	...	...	3-7
SCHALTER SW2	...	...	...	3-8
SCHALTER SW3	...	...	...	3-9
SICHERUNGEN	...	...	...	3-10
PRÜFPUNKTE FÜR SIGNALSTÄRKE	...	...	...	3-10
VERDRAHTUNGSSCHEMA	...	...	...	3-11

### **SICHERHEITSHINWEIS**

**Stellen Sie sicher, dass die Werkzeugmaschine  
in einem technisch einwandfreien Zustand ist.**

**Vor dem Entfernen der Abdeckung ist die  
Stromzufuhr zu unterbrechen.**

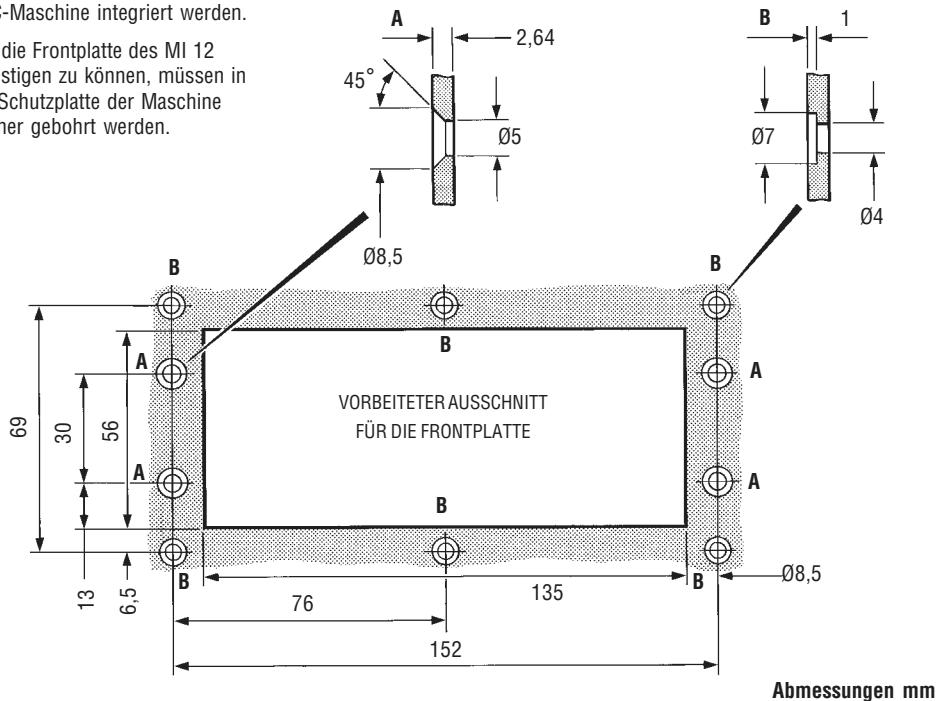
**Das Einstellen des Schalters oder das  
Auswechseln von Sicherungen, sollte nur  
durch befugte Personen vorgenommen werden.**

**MI 12 INTERFACE**  
**EINBAU-MONTAGEKIT**  
**Artikel-Nr A-2033-0690**

Das Interface kann unter Verwendung des Montagekits in die CNC-Maschine integriert werden.

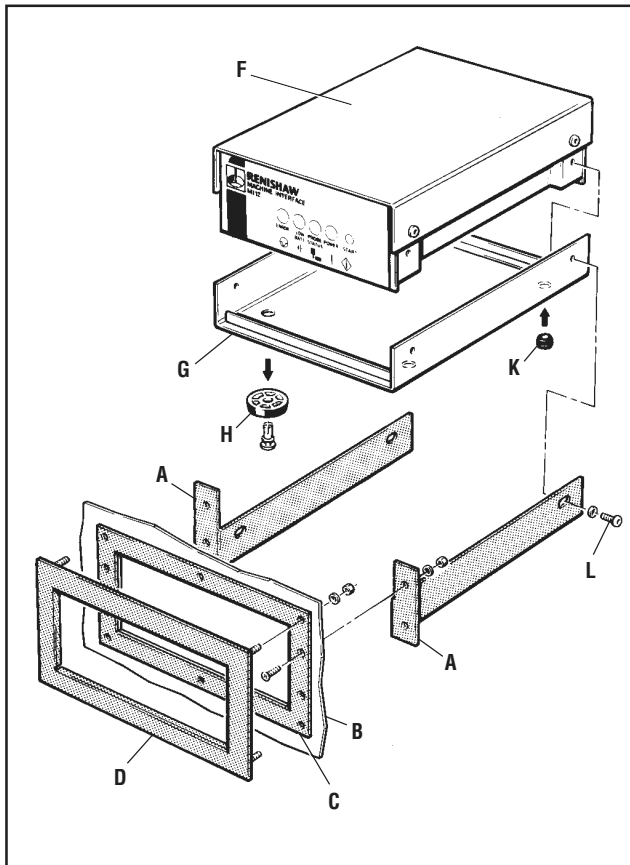
Um die Frontplatte des MI 12 befestigen zu können, müssen in die Schutzplatte der Maschine Löcher gebohrt werden.

- A. Vier Senkbohrungen  $\varnothing 5$ , Senkung  $\varnothing 8,5$  mm.
- B. Sechs Bohrungen  $\varnothing 4$  mm Senkung  $\varnothing 7 \times 1$  mm tief.



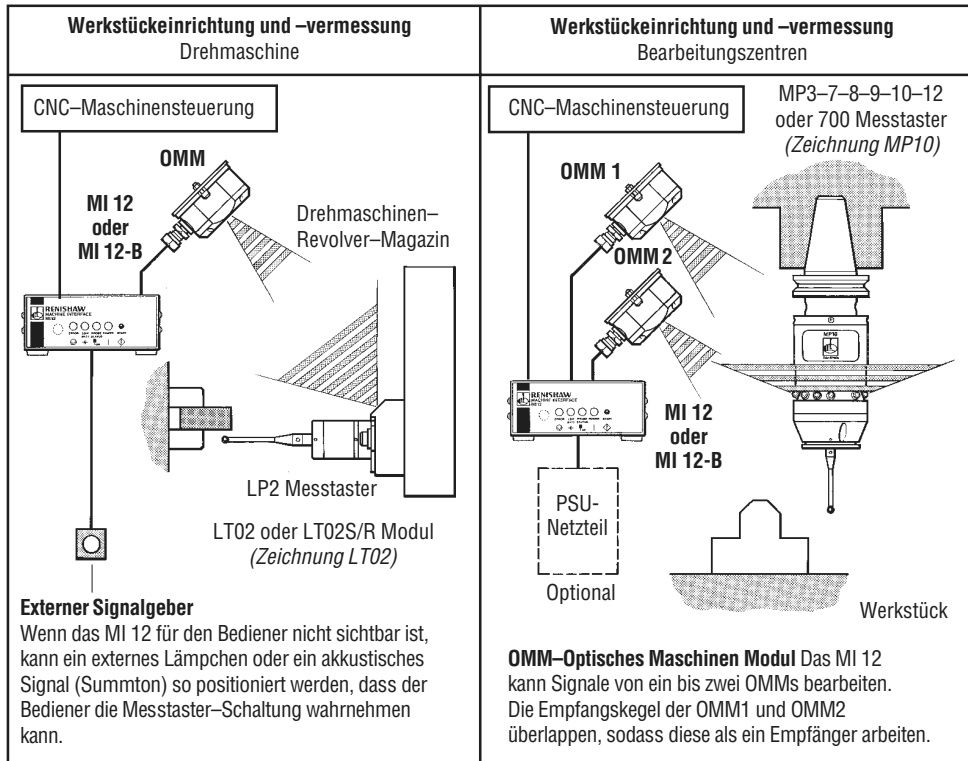
## MI 12 INTERFACE EINBAUKIT

1. Unter Verwendung der Schrauben, Unterlegscheiben und Muttern die Halterungen A an die Frontplatte anschrauben. (Anstelle der Schraube kann ein selbstsichernder Stiftbolzen verwendet werden).
2. Entfernen Sie das Schutzpapier von Dichtung C. Bringen Sie Dichtung C an Blende D an.
3. Befestigen Sie die Blende D an Frontplatte B. Verwenden Sie hierzu die beigefügten Unterlegscheiben und Muttern.
4. Entfernen Sie die Basisplatte G vom Interface F.
5. Entfernen Sie die Fußstopfen H von der Bodenplatte G.
6. Stecken Sie die Ösen K in die vier Löcher der Bodenplatte.
7. Montieren Sie die Bodenplatte G an die Halterungen A.
8. Befestigen Sie das Interface F auf der Bodenplatte G.
9. Schieben Sie das Interface F nach vorne zur Blende D hin um eine gute Abdichtung zu erreichen.
10. Zuletzt die Schrauben L mit Unterlegscheiben einschrauben.



## MI 12 INTERFACE

CNC-Werkzeugmaschinen, die ein Renishaw Messtaster-System zur Werkstückeinrichtung und Werkstückvermessung einsetzen, benötigt ein Interface um Messtastersignale in geeignete Daten für die CNC-Maschinensteuerung umzuwandeln. Das MI 12 Interface, mit Infrarot-Signalübertragung, ist Teil des Messtaster-Systems.



Es gibt zwei Ausführungen  
des MI 12 Interface

1. MI 12 Interface

Als Tischgehäuse oder  
Einbauversion.

2. MI 12-B Interfaceplatine

Zum Einbau in den  
Maschinenschrank.

**MI 12 Interfaceplatine (MI 12-B)**

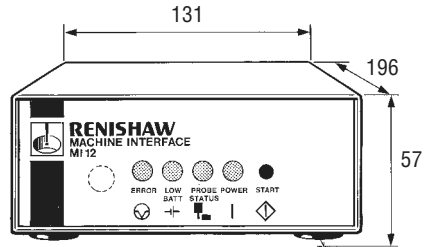
Die MI 12 Interfaceplatine ist mittels  
selbstklebender Füße oder  
M4-Haltestifte auf eine Platte  
montiert.

**Stromversorgung**

Das MI 12 Interface bezieht seine  
Spannung von der CNC-Maschine.  
+15V bis 30 V, max. 400 mA.  
Alternativ hierzu kann auch  
das PSU3 Netzteil von Renishaw  
verwendet werden - siehe  
Anwenderhandbuch H-2000-5057.

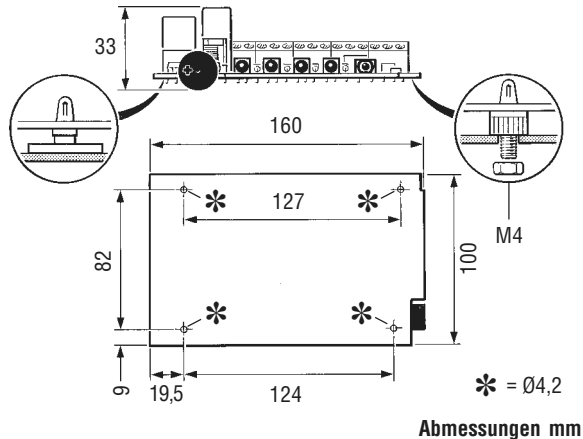
MI 12 Interface

Artikel-Nr A-2075-0142



MI 12-B

Artikel-Nr A-2075-0141



## LED-DIAGNOSE-ANZEIGE

**Systemstatus**

Der Systemstatus wird laufend über die Leuchtdioden an der Frontseite angezeigt.

Die Signale an die Maschinensteuerung werden über Solid-State-Relais weitergegeben.

**MI 12 Ausgänge**

Es gibt vier Solid-State-Relais (SSR) Ausgänge, zwei für den Messtaster und die Negierung dieses Signals, eines für das Fehlersignal und eines für "Batterie schwach" (low battery).

Maximaler Strom  $\pm 40$  mA Spitze  
Maximale Spannung  $\pm 50$  V Spitze

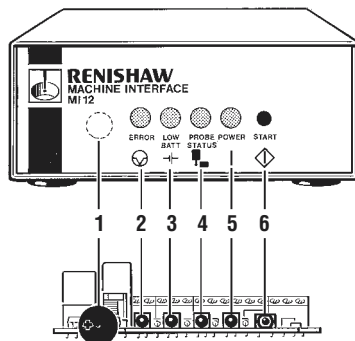
**Jeder SSR-Ausgang ist durch eine 62mA Sicherung vor Überlastung geschützt.**

**Externer akustischer Signalgeber**

Zusätzlich ist ein Ausgang für einen externen optischen oder akustischen Signalgeber vorhanden, der in der Nähe des Bedieners installiert werden kann.

Max. Belastbarkeit 100 mA,  
max. +50 V d.c.

Nach jedem Messtasterstatuswechsel bleibt der Ausgang für 44 ms aktiv.



MI 12

MI 12-B

**1. Akustischer Signalgeber (Summton)**

Der Lautsprecher des akustischen Signalgebers befindet sich hinter dem Frontpanel.

**2. Fehler-LED (Error)**

Leuchtet auf, wenn die optische Übertragungsstrecke unterbrochen ist, der Messtaster außerhalb des Arbeitsbereiches, der Messtaster ausgeschaltet ist, u.s.w.

**3. LED - Batterie schwach (Low Battery)**

Austausch der Messtaster-Batterien, sobald die LED aufleuchtet.

**4. LED-Messtasterstatus (Probe Status)**

Leuchtet auf, wenn der Messtaster in Ruhelage ist. Leuchtet nicht, wenn der Tastereinsatz ausgelinkt ist oder ein Fehler vorliegt.

**5. LED-Spannungsversorgung (LED Power)**

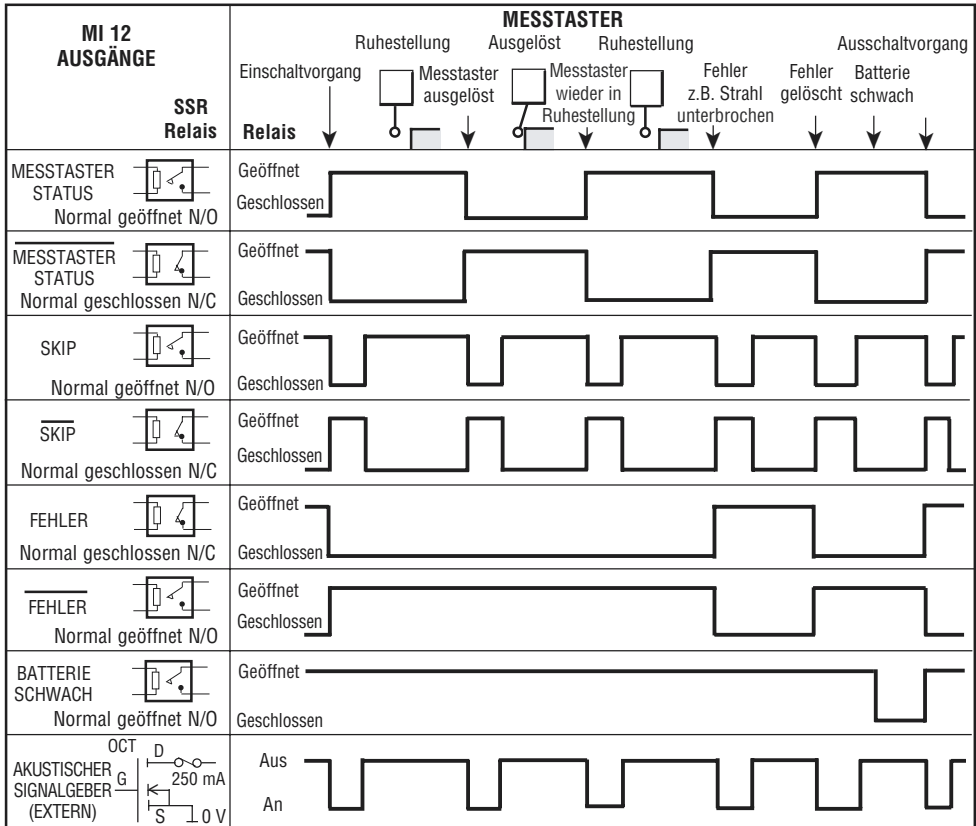
Leuchtet auf, wenn Spannung anliegt.

**6. Starttaste Schalter SW 1**

Schalter für manuellen Start. Durch Betätigen der Starttaste wird das System in den Arbeitsmodus versetzt. Alternativ hierzu kann ein Signal der Maschinensteuerung zum Aktivieren des Systems verwendet werden.



## INTERFACE – AUSGANGSSIGNALE



Die Ausgangssignale des interface müssen mit der Maschinensteuerung kompatibel sein.

## SCHALTER SW2

Der Schalter wird, wie im Diagramm dargestellt, ab Werk voreingestellt. D.h. Startsignal von der Maschine und Standard-OMM.

Mit AUTO START wird jede Sekunde ein Startsignal gesendet.

Es ist keine Eingabe über die CNC-Maschinensteuerung notwendig.

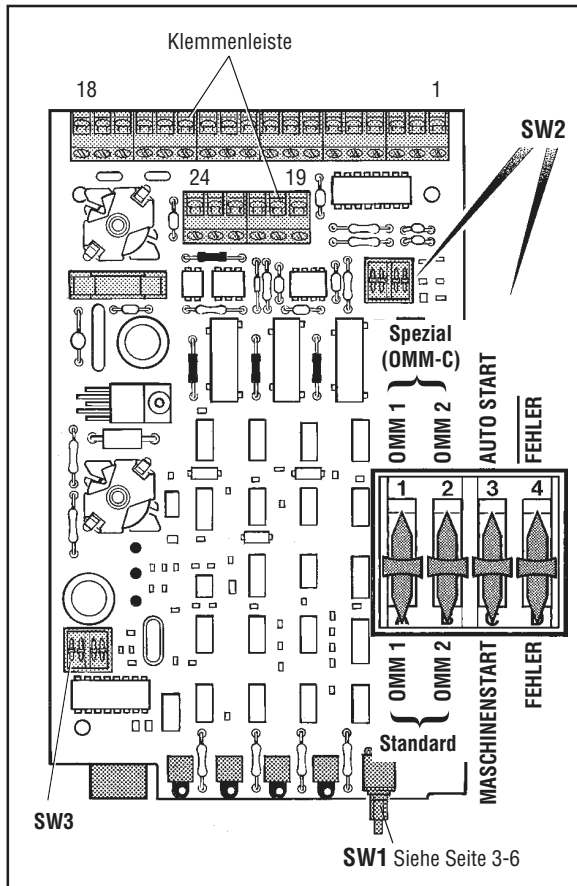
AUTO START sollte nur dann eingesetzt werden, wenn kein Ausgang von der Maschinensteuerung vorhanden ist.

Wenn dieser Modus gewählt wird, muss darauf geachtet werden, dass sich die Signale nicht mit benachbarten Messsystemen überlagern werden können.

Um ein MASCHINENSTART-SIGNAL zu generieren, muss eine Eingangsspannung zwischen 4,25 V bei 1 mA und 30 V bei 10 mA an den Klemmen 21 (+) und 22 (-) vorliegen. (TTL kompatibel, wenn zwischen +5 V und TTL - Ausgang angeschlossen). Dies ist ein isolierter Eingang.

Minimale Impulsbreite 1 ms.  
Maximale Impulsbreite 150 ms.

Der Schalter SW1 zum manuellen Starten ist während des MASCHINENSTARTSIGNALS inaktiv.



**FEHLER:** Sobald ein Fehlerzustand eintritt wird der Relaiskontakt geöffnet.

**FEHLER:** Sobald ein Fehlerzustand eintritt wird der Relaiskontakt geschlossen.

### SCHALTER SW3




Mit diesem Schalter können die Schließer und Öffner Optionen für den Signalimpuls und den Status gewählt werden. Das Interface ist ab Werk auf Option 1 eingestellt.





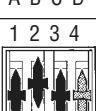
### WICHTIG

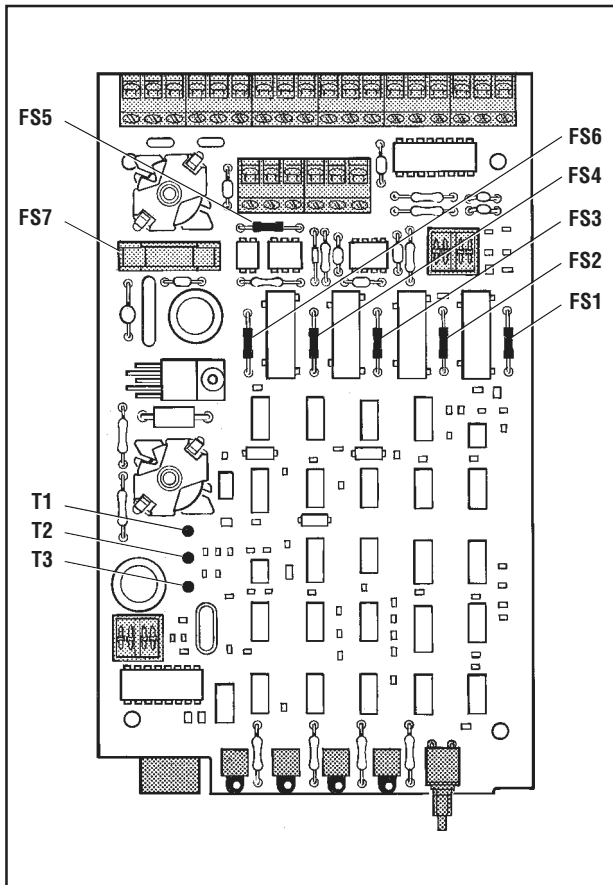
Achten Sie darauf, dass die Klemmenbelegung korrekt erfolgt.

### HINWEIS

Alle Relaiskontakte werden auf Status „Öffnen“ zurückgesetzt sobald die Spannungsversorgung zum MI 12 unterbrochen wird.

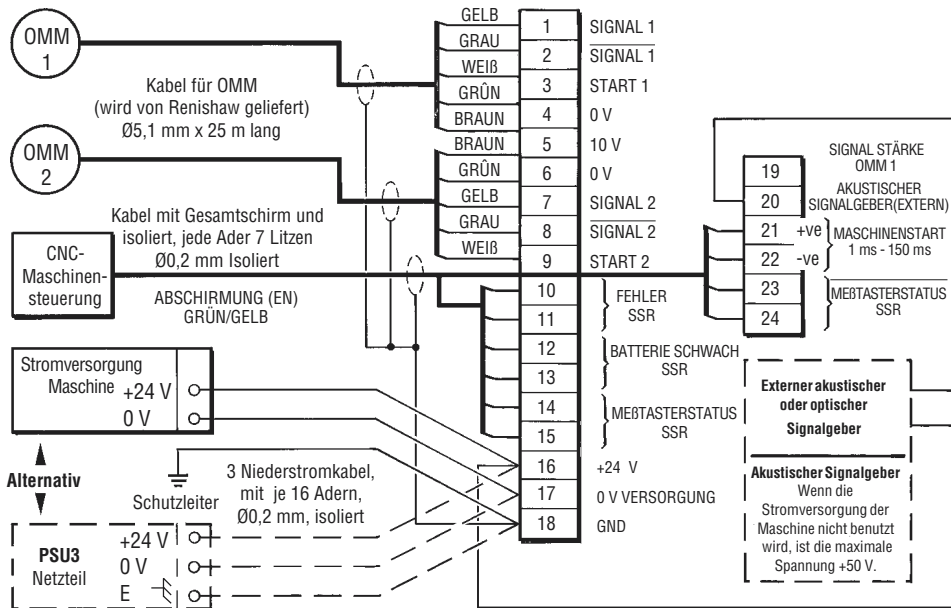
LEGENDE	
N/O	Schließer.
N/C	Öffner.
	Schalter muss in der abgebildeten Position stehen.
	Schalter kann in der einen oder anderen Position stehen.
	Signalton EIN/AUS wird ab Werk auf EIN eingestellt.

OPTION	KLEMMEN 14 & 15 Siehe Seite 3-11	KLEMMEN 23 & 24 Siehe Seite 3-11	SW3
1	MESSTASTER STATUS N/O	MESSTASTER STATUS N/C	 1 2 3 4 A B C D
2	SKIP N/C	MESSTASTER STATUS N/C	 1 2 3 4 A B C D
3	SKIP N/O	MESSTASTER STATUS N/C	 1 2 3 4 A B C D
4	MESSTASTER STATUS N/O	SKIP N/C	 1 2 3 4 A B C D
5	MESSTASTER STATUS N/O	SKIP N/O	 1 2 3 4 A B C D

**SICHERUNGEN****Artikel-Nr**Sicherung 62 mA (FF) **P-FS20-0062**Sicherung 250 mA (FF) **P-FS20-1A25**Sicherung 500 mA (T) **P-FS01-1A50****FS1** - Reservesicherung 62 mA (FF).**FS2** - Fehler 62 mA (FF).**FS3** - Batterie schwach 62 mA (FF).**FS4** - Messtasterstatus N/C 62 mA (FF).**FS6** - Messtasterstatus N/O 62 mA (FF).**FS5** - Akustischer Signalgeber  
250 mA (FF).**FS7** - Stromversorgung.  
Schmelzsicherung 500 mA (T).**PRÜFPUNKTE FÜR SIGNALSTÄRKE****T1 - OMM 2**Min. Empfangssignal  
ca. 0,36 V d.c.Maximaler Signalstärkeausgang  
7 V d.c.**T2 - OMM 1**Signalstärkepegel wie bei T1  
(Auch an Klemme  
19 vorhanden).**T3 - 0V-Bezugspunkt.**

## VERDRÄHTUNGSSSCHEMA

Mit dem Interface können zwei OMM über die Klemmen 1-9 angeschlossen werden.  
Klemme 20 ist für den Anschluß eines externen optischen (nicht von Renishaw erhältlich)  
oder akustischen Signalgebers.



### Hinweis:

1. Die Versorgung 0 V und alle 0 V-Signalbezugs клемmen sind vom Gehäuse isoliert.
2. Die Erdung des Gehäuses und 0 V müssen gemäß den gültigen VDE-Sicherheitsbestimmungen durchgeführt werden. Beim Erden auf mögliche Störfelder achten.
3. Bitte nehmen Sie bezüglich des Verdrahtungsschemas für das OMM-C mit Ihrem Renishaw-Lieferanten Kontakt auf.

# Guida d'installazione ed uso - Italiano

## **GARANZIA**

Apparecchiature che necessitino interventi durante il periodo di garanzia, devono essere inviate al Vostro fornitore.

La garanzia non sarà considerata valida qualora l'apparecchiatura Renishaw sia stata maltrattata, o sia stata riparata o regolata da persone non autorizzate.

## **MODIFICHE ALLE APPARECCHIATURE**

La Renishaw si riserva il diritto di apportare modifiche alle apparecchiature senza preavviso.

## **MACCHINE A CN**

L'uso delle macchine utensili a CN è ristretto al personale specializzato e in osservanza delle istruzioni del fabbricante.

## **MANUTENZIONE MI 12**

L'MI 12 non richiede interventi di manutenzione o di pulizia.

## **CLASSIFICAZIONE IP**

IP 30

## **AMBIENTE**

### **Temperatura**

La temperatura ambiente di deposito specificata per l'interfaccia MI 12 è compresa tra  $-10^{\circ}$  e  $70^{\circ}$  C, e la temperatura d'esercizio è compresa tra  $5^{\circ}$  e  $60^{\circ}$  C.

**CE**

**L'MI 12-B** è una versione a scheda nuda dell'MI12. Per ottenere un buon rendimento di suscettività a CEM, l'MI 12-B dovrà essere alloggiato in una sede appositamente lavorata o estrusa a proposito.

## Indice

KIT DI MONTAGGIO SU QUADRO DELL'INTERFACCIA MI 12	4-2
INTERFACCIA MI 12     ...     ...     ...     ...     ...	4-4
MI 12 E MI 12-B     ...     ...     ...     ...     ...	4-5
LED – DISPLAY DIAGNOSTICO     ...     ...     ...     ...	4-6
FORME D'ONDA DELL'MI 12     ...     ...     ...     ...	4-7
INTERRUTTORE SW2     ...     ...     ...     ...     ...	4-8
INTERRUTTORE SW3     ...     ...     ...     ...     ...	4-9
FUSIBILI     ...     ...     ...     ...     ...     ...	4-10
PUNTI DI TEST INTENSITA' DI SEGNALE     ...     ...     ...	4-10
SCHEMA ELETTRICO     ...     ...     ...     ...     ...	4-11

### SICUREZZA

**Prima di togliere i ripari, accertarsi che la macchina utensile sia in condizione di sicurezza e isolarla elettricamente.**

**La regolazione degli interruttori o la sostituzione dei fusibili deve essere effettuata solamente da persone qualificate.**

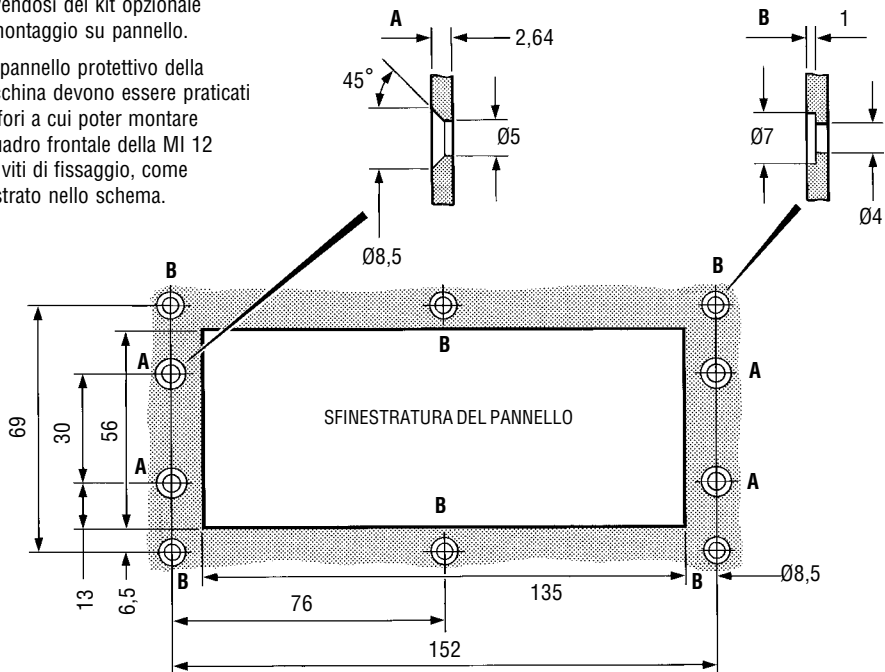
## KIT DI MONTAGGIO SU PANNELLO DELL'INTERFACCIA MI12

Numero di codice **A-2033-0690**

L'armadietto dell'interfaccia può essere montato dentro la macchina CNC, servendosi del kit opzionale di montaggio su pannello.

Nel pannello protettivo della macchina devono essere praticati dei fori a cui poter montare il quadro frontale della MI 12 e le viti di fissaggio, come mostrato nello schema.

- A. Quattro fori svasati da  $\varnothing 8,5$  a  $\varnothing 5$  mm.
- B. Sei fori di  $\varnothing 4$  mm. Alesaggio di  $\varnothing 7 \times 1$  mm di profondità.

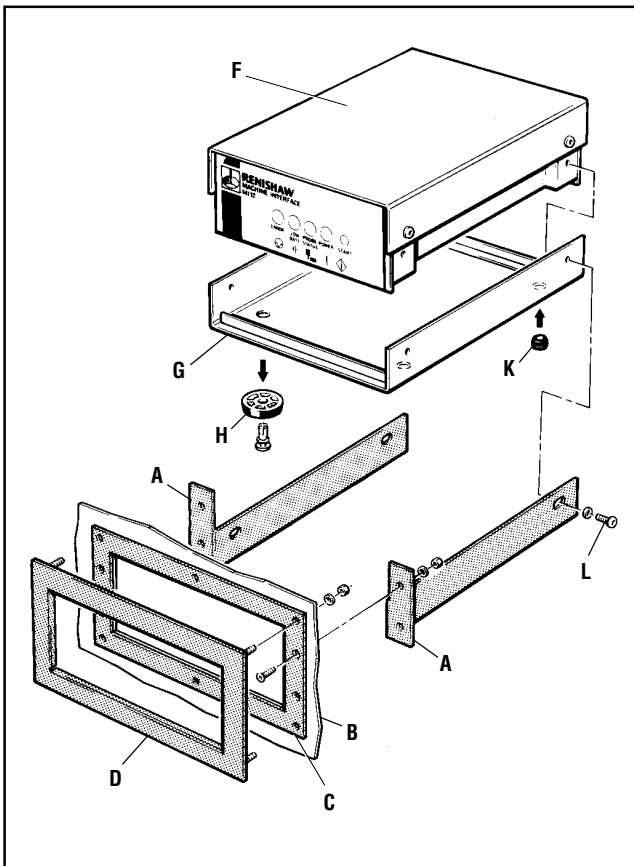


Dimensioni mm



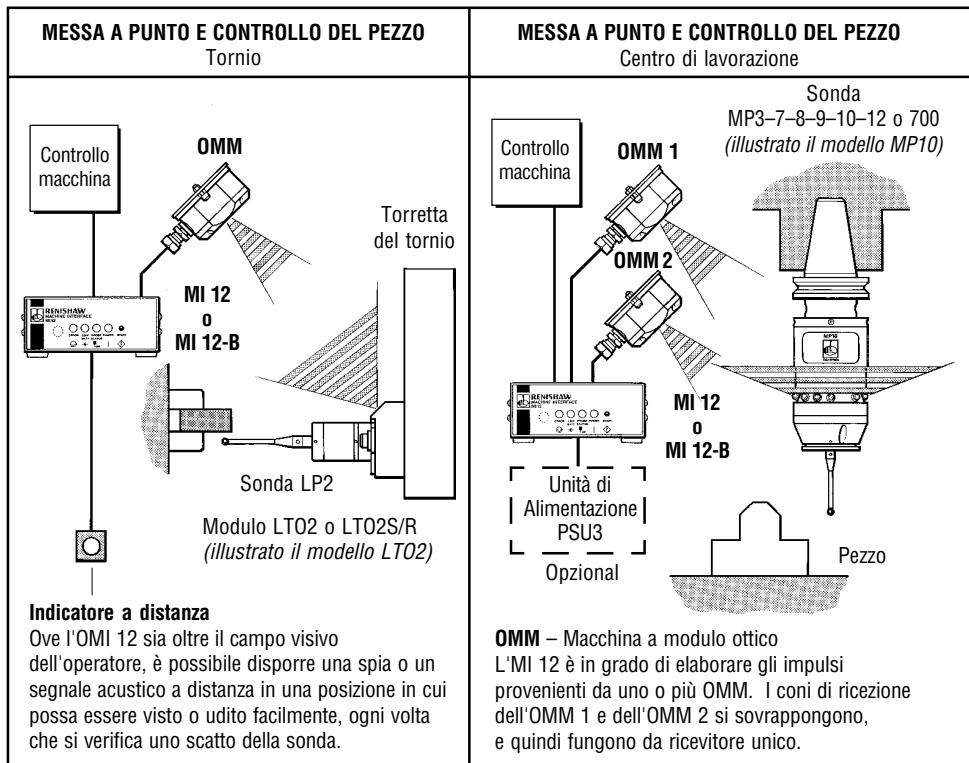
## COMPLESSIVO DI MONTAGGIO SU PANNELLO DELL'INTERFACCIA MI 12

1. Montare le staffe A al pannello B con le viti, le rondelle ed i dadi. (Un prigioniero autograffante può essere usato al posto della vite).
2. Togliere la carta protettiva dalla guarnizione C. Fissare la guarnizione C alla cornice D.
3. Montare la cornice D al pannello B usando le rondelle ed i dadi.
4. Togliere la piastra di base G dall' interfaccia F.
5. Togliere i piedini H dalla piastra di base G.
6. Inserire l'anello passacavo in gomma K nei 4 fori della piastra di base.
7. Montare la piastra di base G nelle staffe A.
8. Montare l'armadietto di interfaccia F sulla piastra di base G.
9. Far scorrere l'armadietto F verso la cornice D affinché abbia una tenuta solida.
10. Montare le rondelle e le viti L.



## INTERFACCIA MI 12

Le macchine a CN che utilizzano il sistema sonda Renishaw per la messa a punto del pezzo e per scopi di controllo, richiedono un'interfaccia che trasformi gli impulsi della sonda in segnali accettabili dal controllo macchina. L'interfaccia MI 12 è parte integrante dei sistemi a sonda che utilizzano la trasmissione di impulsi ottici.



## MI 12 e MI 12-B

**Ci sono due versioni dell'interfaccia MI 12.**

**1. L'unità d'interfaccia MI 12.**

L'interfaccia è contenuta dentro una scatola Renishaw, che può stare libera o attaccata all'armadio utilizzando il kit di montaggio.

**2. MI 12-B**

Solo la scheda per montaggio dentro l'armadio del C.N.C.

**Solo scheda MI 12 (MI 12- B)**

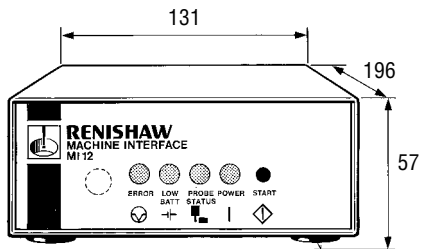
La scheda MI 12 è montata a pannello, mediante una serie di dispositivi di montaggio autoadesivi oppure, alternativamente, dei prigionieri di supporto M4.

**Alimentazione elettrica**

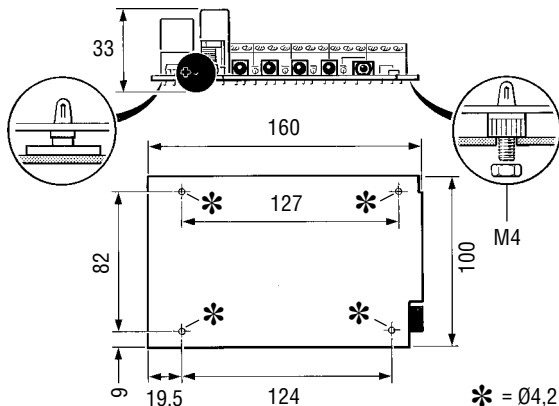
L'interfaccia MI 12 può trarre la propria alimentazione dalla macchina CNC da +15 V a 30 V cc e presenta un carico fino ad un massimo di 400 mA.

Alternativamente, l'alimentazione può essere fornita da un alimentatore PSU3 della Renishaw - vedi Guida d'uso H-2000-5057.

**Unità di interfaccia MI 12 Numero di codice A-2075-0142**



**MI 12-B Numero di codice A-2075-0141**



**Dimensioni mm**

### Stato del sistema

Lo stato operativo del sistema viene visualizzato sul display diagnostico a LED del quadro frontale in una forma continuamente aggiornata e mediante output emessi dall'MI 12 inviati ed al comando CNC.

### Output dall'MI 12

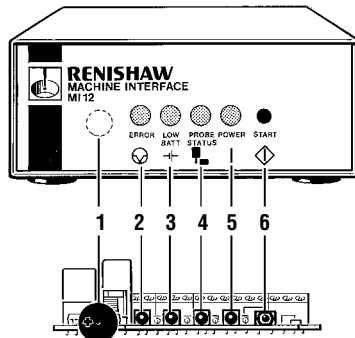
Vi sono quattro output (SSR) del relé a stato solido, comprendenti due output complementari della sonda, un output di errore ed un output batterie scariche. Corrente massima  $\pm 40$  mA di picco  
Tensione massima  $\pm 50$  V di picco

### CIASCUN OUTPUT SSR È PROTETTA DAL SOVRACCARICO MEDIANTE UN FUSIBILE DI 62mA.

### Indicatore acustico remoto

Inoltre, vi è un output per una spia od un indicatore acustico remoto che può essere ubicato vicino all'operatore della macchina.

L'output diminuirà di 100 mA e non bisogna applicarvi più di +50 V cc.  
L'output attiva chiusa per 44 ms dopo ciascun cambiamento di stato della sonda.



MI 12

MI 12-B

#### 1. Indicatore acustico (cicalino)

L'altoparlante si trova dietro il quadro frontale.

#### 2. LED errore

Si accende quando il fascio ottico è ostruito, la sonda si trova al di fuori del raggio di trasmissione, la sonda è spenta, ecc.

#### 3. LED batterie scariche

Sostituire le batterie della sonda non appena possibile, una volta fatto ciò il LED si accenderà.

#### 4. LED stato della sonda

Si accende quando la sonda è assestata.

Si spegne quando lo stilo è flessibile oppure nel caso si verifichi un errore.

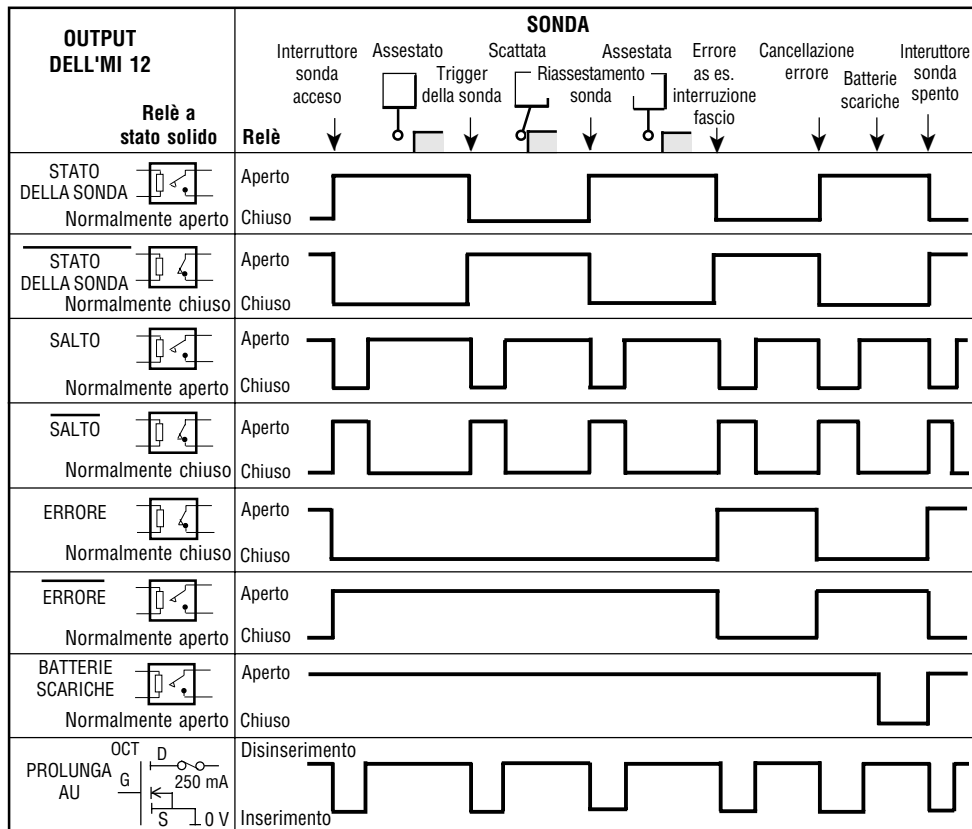
#### 5. LED alimentazione

Si accende quando è inserita l'alimentazione.

#### 6. Pulsante di avviamento Interruttore SW1

Pulsante di avviamento manuale. Premere il pulsante per portare il sistema nel modo operativo. Alternativamente, per lo stesso scopo, è possibile usare un segnale proveniente dal comando della macchina.

## INTERFACCIA - FORME D'ONDA DI OUTPUT



I segnali di output dall'interfaccia devono essere compatibili con l'inpuot del comando macchina.

## INTERRUTTORE SW2

Questo interruttore viene impostato in fabbrica come mostrato nello schema per esempio accensione macchina e OMM standard.

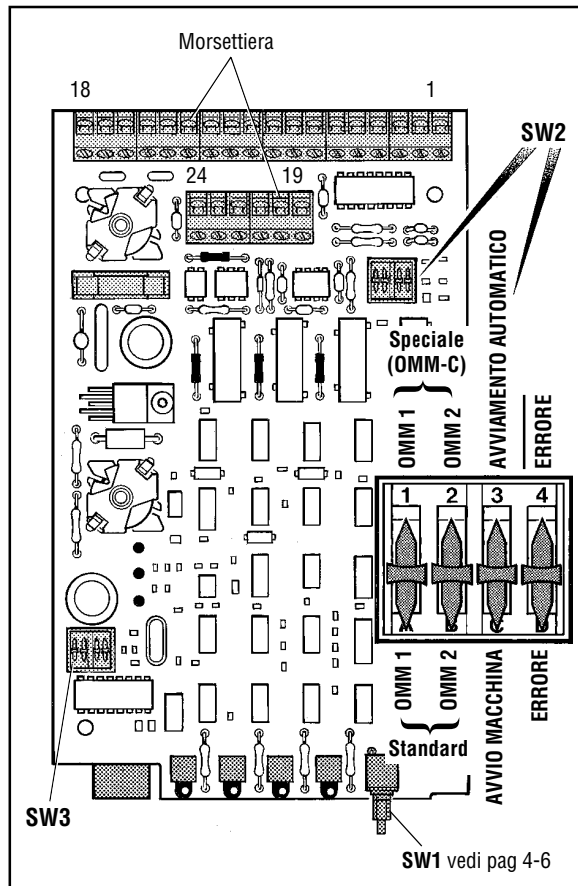
La selezione di AVVIAMENTO AUTOMATICO determina l'invio da parte del sistema di un segnale di avviamento ogni secondo e non richiede l'input del comando macchina CNC.

L'AVVIAMENTO AUTOMATICO deve essere usato soltanto quando non è disponibile alcun output dal comando della macchina. Se si seleziona questa opzione bisogna assicurarsi che i segnali del sistema non vengano ricevuti da sistemi a sonde adiacenti su altre macchine.

Per iniziare un segnale di AVVIO MACCHINA, si richiede un'impulsione compresa tra 4,25 V ad 1 mA e 30 V a 10 mA tra i morsetti 21(+) e 22(-), (Compatibile TTL quando collegata tra +5 V e l'uscita TTL). Questo è un input isolato.

L'ampiezza minima dell'impulso è di 1 ms. Larghezza massima dell'impulso: 150 ms.

Il pulsante di accensione manuale (SW1) e' disabilitato durante l'input del segnale di AWIO MACCHINA dal controllo numerico.



**ERRORE** apre i contatti del relé quando accade una situazione di errore.

**ERRORE** chiude i contatti del relé quando accade una situazione di errore.

### INTERRUTTORE SW3

Questo interruttore consente di selezionare le opzioni aperto e chiuso per salto e stato.




L'interfaccia viene impostata sull'opzione 1 in fabbrica.

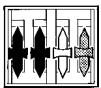

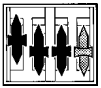
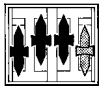
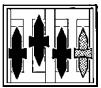
### IMPORTANTE

Bisogna fare attenzione che i collegamenti ai morsetti siano corretti.

### NOTA

Tutti i contatti del relé ritornano ad una situazione di circuito aperto quando viene tolta l'alimentazione dalla MI 12.

CHIAVE	
N/O	Normalmente aperto.
N/C	Normalmente chiuso.
	L'interruttore deve trovarsi nella posizione mostrata.
	L'interruttore può trovarsi nell'una o nell'altra posizione.
	Cicalino attivato/cicalino disattivato. Impostato in fabbrica a cicalino attivato.

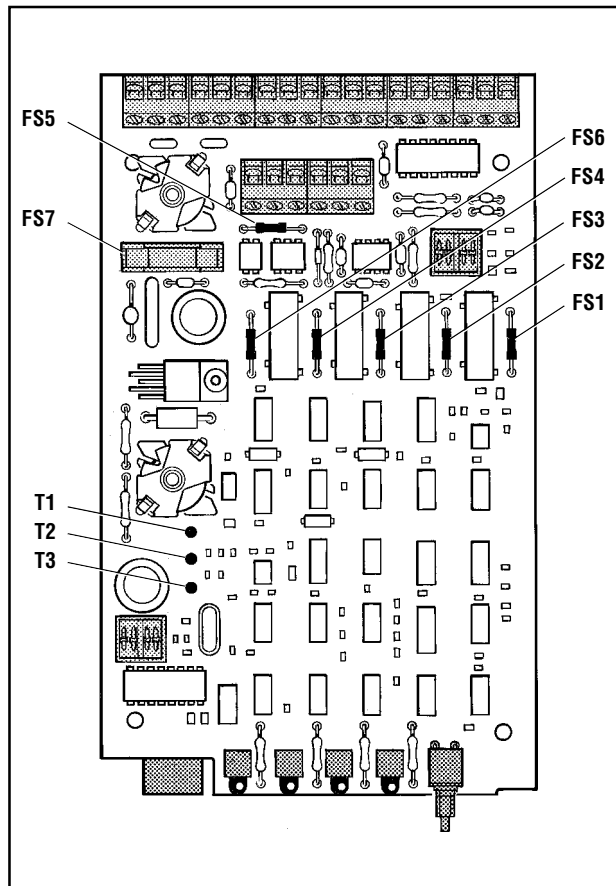
OPZIONE	MORSETTI 14 & 15 vedi pag 4-11	MORSETTI 23 & 24 vedi pag 4-11	SW3
1	STATO SONDA N/O	STATO SONDA N/C	1 2 3 4  A B C D
2	SALTO N/C	STATO SONDA N/C	1 2 3 4  A B C D
3	SALTO N/O	STATO SONDA N/C	1 2 3 4  A B C D
4	STATO SONDA N/O	SALTO N/C	1 2 3 4  A B C D
5	STATO SONDA N/O	SALTO N/O	1 2 3 4  A B C D

**FUSIBILI****Numero di codice**Fusibile 62 mA (FF) **P-FS20-0062**Fusibile 250 mA (FF) **P-FS20-1A25**Fusibile 500 mA (T) **P-FS01-1A50****FS1** - Ricambio, di 62 mA (FF).**FS2** - Errore, di 62 mA (FF).**FS3** - Batterie bassa, di 62 mA (FF).**FS4** - Stato della sonda N/C,  
di 62 mA (FF).**FS6** - Stato della sonda N/O,  
di 62 mA (FF).**FS5** - Protezione alimentazione  
audio. 250 mA (FF).**FS7** - Protezione alimentazione,  
di 500 mA (T).**PUNTI DI PROVA PER LA POTENZA  
DEI SIGNALI****T1 - OMM 2**

Segnale di ricevimento  
minimo di circa 0,36 V cc.  
Uscita di potenza massima  
del segnale di circa 7 V cc.

**T2 - OMM 1**

Livelli di potenza del segnale  
come per T1 (Disponibili  
anche sul morsetto 19).

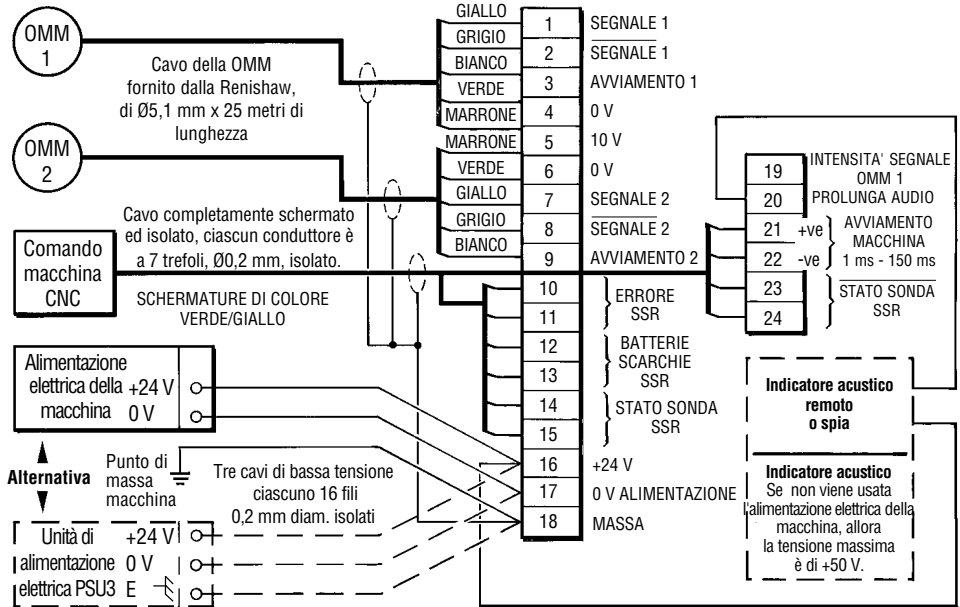
**T3 - Riferimento 0V.**



## SCHEMA DI CABLAGGIO

L'interfaccia può supportare due OMM dai morsetti 1-9.

La prolunga audio (morsetto 20) supporta un indicatore acustico remoto od una spia (non disponibile presso la Renishaw), generalmente ubicato vicino all'operatore della macchina.



- Nota:**
1. L'alimentazione di 0 V e tutti i morsetti di riferimento segnale di 0 V sono isolati dall'involucro.
  2. Il collegamento a massa dell'involucro e 0 V devono essere stabiliti in conformità con tutte i relativi standard di sicurezza. Bisogna aver cura di evitare interferenze accoppiate a massa.
  3. Vogliate contattare il Vostro fornitore Renishaw per i dettagli relativi al collegamento elettrico dell'OMM-C.

**Renishaw plc**  
New Mills, Wotton-under-Edge,  
Gloucestershire, GL12 8JR  
United Kingdom

**T** +44 (0)1453 524524  
**F** +44 (0)1453 524901  
**E** uk@renishaw.com  
[www.renishaw.com](http://www.renishaw.com)

**RENISHAW**   
**apply innovation**

**For worldwide contact details, please  
visit our main website at  
[www.renishaw.com/contact](http://www.renishaw.com/contact)**



\* H - 2000 - 5073 - 05 - J \*