

**WARRANTY**

Equipment requiring attention under warranty must be returned to your supplier. No claims will be considered where Renishaw equipment has been misused, or repairs or adjustments have been attempted by unauthorised persons.

CHANGES TO EQUIPMENT

Renishaw reserves the right to change specifications without notice.

IP RATING IP67

ENVIRONMENT**Temperature**

The IMP is specified for storage over -10° to 70°C (14 to 158°F) and operation over 5° to 60°C (41° to 140°F) ambient temperature range.

GARANTIE

L'équipement à réparer sous garantie doit être renvoyé à votre fournisseur.

Aucune réclamation concernant l'équipement Renishaw ne sera étudiée en cas d'utilisation impropre, de réparations ou de réglages effectués par toute personne non autorisée.

MODIFICATION DE L'EQUIPEMENT

Renishaw se réserve le droit de modifier les spécifications de l'équipement sans préavis.

CONFORMITE IP IP67

ENVIRONNEMENT**Température**

Le IMP est conçu pour une conservation à température ambiante comprise entre -10° et $+70^{\circ}\text{C}$ et une exploitation à température ambiante comprise entre 5° et 60°C .

GARANTIE

Teile, die während der Garantiezeit Mängel aufweisen, müssen an den Lieferanten zurückgesandt werden.

Die Garantieansprüche verfallen bei Fehlbedienung oder unsachgemäßem Eingriff.

Technische Änderungen

Technische Änderungen vorbehalten.

Dichtheit IP67

Umgebungsbedingung**Temperatur**

Arbeitstemperatur -10° – 70°C
Lagertemperatur 5° – 60°C

GARANZIA

Apparecchiature che richiedano interventi durante il periodo di garanzia, devono essere inviate al Vostro fornitore.

La garanzia non sarà considerata valida qualora l'apparecchiatura Renishaw sia stata maltrattata, o sia stata riparata o regolata da personale non autorizzato.

MODIFICHE ALLE APPARECCHIATURE

La Renishaw si riserva il diritto di apportare modifiche alle apparecchiature senza preavviso.

CLASSIFICAZIONE IP IP 67

AMBIENTE**Temperatura**

La temperatura ambiente di deposito specificata per è compresa tra -10° e 70°C , e la temperatura a d'esercizio è compresa tra 5° e 60°C .

This product conforms to the following European standards:

BS EN 50081-2 and BS EN 50082-2.

It complies with the relevant essential health and safety and protection requirements of the following EC Directives:

89/336/EEC as amended (EMC), and 93/68/EEC (CE MARKING).

Important

All relevant safety information, including that incorporated in the installation instructions, user instructions and maintenance instructions must be observed.

Ce produit est conforme aux normes Européennes suivantes :

BS EN 50081-2 et BS EN 50082-2.

Il se conforme aux prescriptions de santé et sécurité et aux recommandations de protection des directives suivantes de l'UE:

89/336/EEC modifiée (CEM) et 93/68/EEC (MARQUAGE CE).

Important

Toutes les consignes de sécurité pertinentes, y compris celles figurant aux paragraphes concernant l'installation, l'utilisation et la maintenance du bloc d'alimentation doivent être suivies.

Dieses Produkt entspricht den folgenden europäischen Normen

BS EN 50081-2 und BS EN 50082-2.

Dies beinhaltet auch alle für das Produkt zutreffende Gesundheits-,

Sicherheits- und Schutzvorschriften gemäß den EG-Richtlinien:

89/336/EEC und 93/68/EEC (CE Kennzeichnung).

Wichtig

Alle Sicherheitshinweise im Handbuch, in den Kapiteln Installation, Bedienung und Wartung, müssen beachtet werden.

Questo prodotto è conforme ai seguenti standard Europei:

BS EN 50081-2 e BS EN 50082-2.

L'apparecchiatura è conforme ai requisiti di protezione e di antinfortunistica della normativa EEC: 89/336/EEC ed emendamenti (CORRENTE ELETTROMAGNETICA) e 93/68/EEC (MARCHIO CE).

Avvertenza

E' essenziale osservare le informazioni di antinfortunistica, comprese quelle contenute nelle sezioni relative all'installazione, al funzionamento ed alla manutenzione.

FCC DECLARATION (USA)**FCC Section 15.19**

This device complies with Part 15 of the FCC rules. Operation is subject to the following two conditions:

1. This device may not cause harmful interference.
2. This device must accept any interference received, including interference that may cause undesired operation.

FCC Section 15.105

This equipment has been tested and found to comply with the limits for a Class A digital device, pursuant to Part 15 of the FCC rules. These limits are designed to provide reasonable protection against harmful interference when the equipment is operated in a commercial environment.

This equipment generates, uses, and can radiate radio frequency energy and, if not installed and used in accordance with the instruction manual, may cause harmful interference to radio communications.

Operation of this equipment in a residential area is likely to cause harmful interference, in which case you will be required to correct the interference at your own expense.

FCC Section 15.21

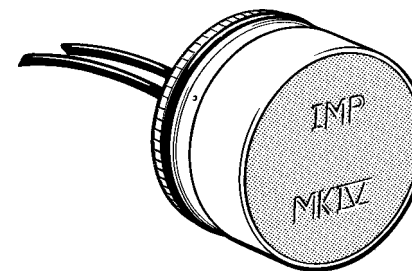
The user is cautioned that any changes or modifications not expressly approved by Renishaw plc, or authorised representative could void the user's authority to operate the equipment.

FCC Section 15.27

The user is also cautioned that any peripheral device installed with this equipment such as a computer, must be connected with a high quality shielded cable to insure compliance with FCC limits.

IMP

Inductive module probe



Part No A-2028-7574 + derivatives

Installation Guide

RENISHAW

Renishaw plc, New Mills, Wotton-under-Edge,
Gloucestershire GL12 8JR, United Kingdom.

International Tel +44 1453 524524 National Tel 01453 524524 [07000 RENISHAW]

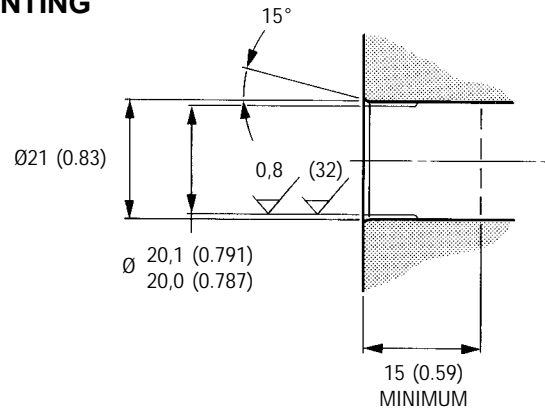
International Fax +44 1453 524901 National Fax 01453 524901

Internet <http://www.renishaw.com> email uk@renishaw.com

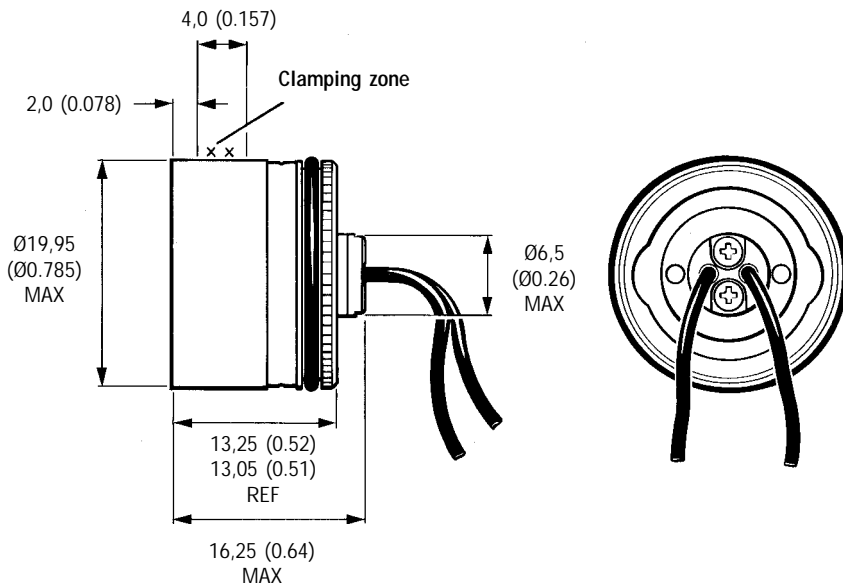
Telex 437120 RENMET G

dimensions mm (in)

IMP MOUNTING



IMP GENERAL ARRANGEMENT



IMP Wires

Two separate insulated wires (each single core).

Outside diameter 1,0mm (0.039in).

Length 2000mm (78in).

Colours Pink and White.

Warning - DO NOT pull or repeatedly bend the wires during installation.

IMP INSTALLATION

The IMP is secured using flat ended grub screws (over clamping zone marked x x), or a semi-permanent adhesive.

RECOMMENDED GRUBSCREW TORQUE

Clamping screw size M4 maximum.

Clamping screw torque 0,25Nm (0.18 lbf.ft) maximum.

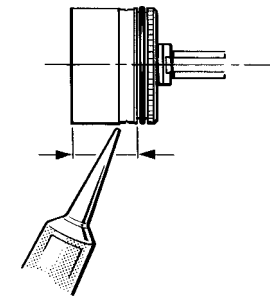
Warning - DO NOT use cone point screws for clamping.

RECOMMENDED ADHESIVE

Silicon RTV DOW CORNING Q3-3744 or equivalent.

IMPORTANT

Pressure may be applied to the metal housing around the circumference, but the plastic front face should not be subjected to direct pressure on installation.



Hold with flat plate until adhesive cures.

