

# OMI-2 – optical machine interface

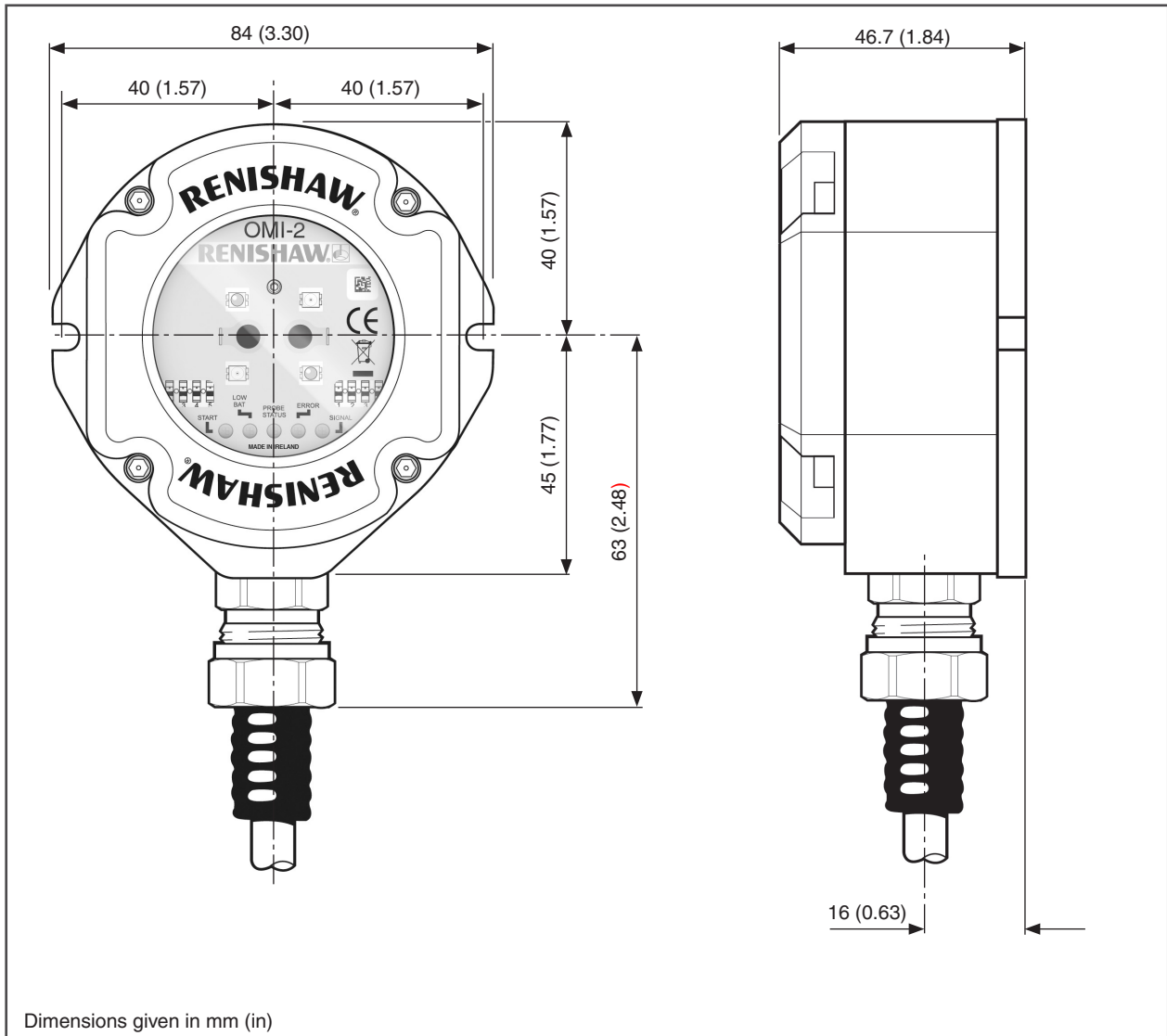


## Specification

<b>Principal application</b>	The OMI-2 processes signals from RENGAGE™ technology or standard probes, and converts them into machine outputs, which are then transmitted to the CNC control.	
<b>Weight</b>	OMI-2 including 8 m (26.2 ft) of cable = 975 g (34.39 oz) OMI-2 including 15 m (49.2 ft) of cable = 1500 g (52.91 oz)	
<b>Transmission type</b>	Infrared optical transmission (modulated)	
<b>Probes per system</b>	One	
<b>Compatible probes</b>	Component setting/inspection: OMP40-2, OMP40M, OMP60, OMP60M, OMP400, OMP600 Lathe inspection: OLP40 Tool setting: OTS	
<b>Operating range</b>	Up to 6 m (19.7 ft)	
<b>Supply voltage</b>	12 Vdc to 30 Vdc	
<b>Supply current</b>	Transmitting: 100 mA max. Receiving: 40 mA max.  <b>NOTE:</b> @24 Vdc, all outputs open circuit.	
<b>Configurable M-code input</b>	Pulsed or level	
<b>Output signal</b>	<b>Probe status 1, Low battery, Error</b> Voltage-free solid-state relay (SSR) outputs, configurable normally open or normally closed. <b>Probe status 2a</b> 5 V isolated driven output, invertible. <b>Probe status 2b</b> Power supply voltage driven output, invertible.	
<b>Input / output protection</b>	Supply protected by resettable fuse. Outputs protected by over current protection circuit	
<b>Diagnostic LEDs</b>	Start, Low battery, Probe status, Error and Signal condition.	
<b>Cable</b> (to machine controller)	Specification	Ø7.5 mm (0.29 in), 13-core screened cable, each core 18 × 0.1 mm
	Length	8 m (26.2 ft) and 15 m (49.2 ft)
<b>Mounting</b>	Flush mounting or directional mounting with optional mounting bracket (available separately).	
<b>Environment</b>	IP rating	IPX8, BS EN 60529:1992+A2:2013
	IK rating	IK03 BS EN 62262: 2002+A1:2021
	Storage temperature	-25 °C to +70 °C (-13 °F to +158 °F)
	Operating temperature	+5 °C to +55 °C (+41 °F to +131 °F)
	Indoor/outdoor use	Indoor use
	Altitude	≤ 3000 m (9843 ft)
	Relative humidity	5% to 95%
	Wet location	Yes, water/oil/coolant
	Pollution degree	Level 2

For further information and the best possible application and performance support, contact Renishaw or visit [www.renishaw.com/omi-2](http://www.renishaw.com/omi-2)

## Dimensions



## Spare parts and accessories

A full range of spare parts and accessories is available. Contact Renishaw for a full list.

[www.renishaw.com/contact](http://www.renishaw.com/contact)



#renishaw

+44 (0) 1453 524524

uk@renishaw.com

© 2005–2026 Renishaw plc. All rights reserved. This document may not be copied or reproduced in whole or in part, or transferred to any other media or language by any means, without the prior written permission of Renishaw.

RENISHAW® and the probe symbol are registered trade marks of Renishaw plc. Renishaw product names, designations and the mark 'apply innovation' are trade marks of Renishaw plc or its subsidiaries. Other brand, product or company names are trade marks of their respective owners.

WHILE CONSIDERABLE EFFORT WAS MADE TO VERIFY THE ACCURACY OF THIS DOCUMENT AT PUBLICATION, ALL WARRANTIES, CONDITIONS, REPRESENTATIONS AND LIABILITY, HOWSOEVER ARISING, ARE EXCLUDED TO THE EXTENT PERMITTED BY LAW. RENISHAW RESERVES THE RIGHT TO MAKE CHANGES TO THIS DOCUMENT AND TO THE EQUIPMENT, AND/OR SOFTWARE AND THE SPECIFICATION DESCRIBED HEREIN WITHOUT OBLIGATION TO PROVIDE NOTICE OF SUCH CHANGES.

Renishaw plc. Registered in England and Wales. Company no: 1106260. Registered office: New Mills, Wotton-under-Edge, Glos, GL12 8JR, UK.

Part no.: H-2000-2205-02-A

Issued: 06.2026