

SupaScan and DPU-1 data processing unit



Specification

Principle system applications	Automated measurement routines including: <ul style="list-style-type: none"> • high-speed part setting using continuous scanning and point measurement • minimum/maximum material condition • surface condition monitoring 	
Supported controllers ¹	Brother (CNC-C00 2015 onwards)	Fanuc (Series 0–3x)
	Mazak (SmoothX)	Siemens SINUMERIK 840D solution line and 828D (OPC UA)
Scanning capability	Supplied SupaScan macros for the measurement of: <ul style="list-style-type: none"> • bore • boss • point • line • plane • surface condition Additional macros are provided for system set-up and for optimisation of measurement processes.	
Touch-trigger capability	Inspection Plus for OSP60 macros. Provides required touch-trigger calibration cycles, compatibility with calls to existing Inspection Plus programs and support for the Set and Inspect and GoProbe programming apps.	
Optional software		
Surface Reporter	To display the graphical form and waviness profiles from the surface condition macro.	
Part numbers		
SupaScan	A-5465-2000 (includes OSP60 probe, OSI-S interface, OMM-S receiver and DPU-1 data processing unit)	
Inspection Plus for OSP60	A-4012-2100 (Brother)	A-4012-2000 (Fanuc)
	A-4013-2000 (Mazak)	A-4014-2000 (Siemens)
Surface Reporter	A-5999-4000	

¹ For more information and required options, see the applicable controller requirements document.

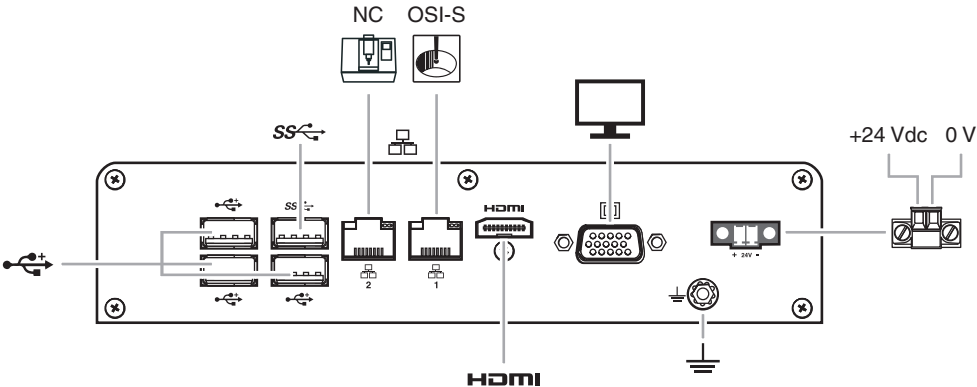
Surface Reporter specification

Principle system applications	Displays calculated total waviness (W _t) value, graphical form and waviness profiles
Installation requirements	Microsoft® Windows®-based PC or tablet. PC requirements <ul style="list-style-type: none"> • operating system Microsoft Windows XP, Service pack 3 or later Tablet requirements <ul style="list-style-type: none"> • operating system Microsoft Windows 8 or later Connection to the DPU-1 via Ethernet cable and Ethernet-to-USB adaptor
Hard disk requirements	
App alone	103 MB
.NET Framework	Approximately 850 MB (32-bit operating systems); approximately 2 GB (64-bit operating systems)

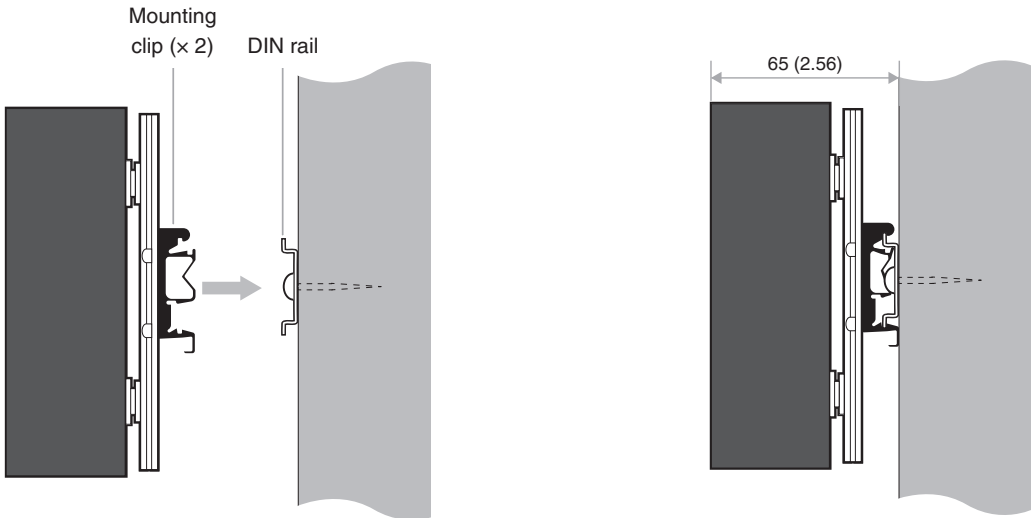
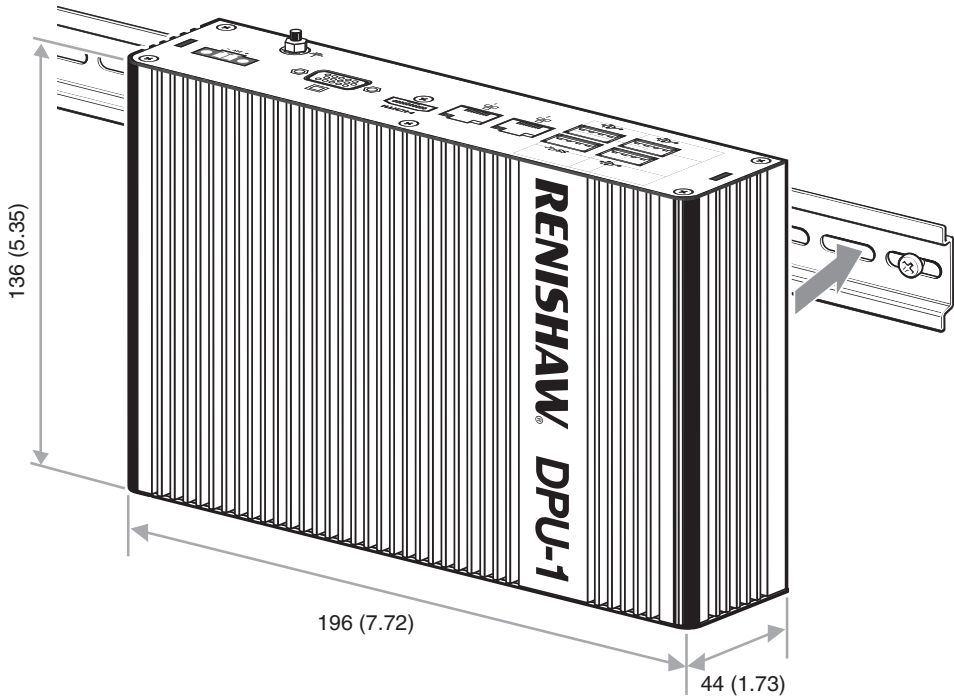
DPU-1 data processor specification

Physical	
Size	196 mm × 136 mm × 44 mm (7.72 in × 5.35 in × 1.73 in) (without DIN rail mounting and brackets)
Weight	1185 g (41.8 oz)
Mounting	DIN rail mount
Environmental	
IP rating	IP3X BS EN 60529:1992+A2:2013
Operating temperature	+5 °C to +55 °C (+41 °F to +131 °F) BS EN 60068-2-30:2005
Humidity	Maximum 90% RH at +40 °C
Cooling	Fanless
Connectivity	
USB	3 × USB 2.0: 1 × USB 3.0
Ethernet	2 × GbE LAN ports
Display	1 × HDMI: 1 × VGA
Power supply	
Voltage	24 V ±10%
Protection	Reverse voltage, over current, over voltage protection
Power consumption	12 W typical (during normal operation)
Connector	2-pin Phoenix connector
Power on	Auto-on
System storage	128 GB solid-state drive

DPU-1 connections



Mounting the DPU-1



Dimensions given in mm (in)

Compliance information for this product is available by scanning the QR code or visiting www.renishaw.com/mtpdoc.



Spare parts and accessories


A full range of spare parts and accessories is available. Contact Renishaw for a full list.

www.renishaw.com/contact



#renishaw

+44 (0) 1453 524524

 uk@renishaw.com

© 2016–2023 Renishaw plc. All rights reserved. This document may not be copied or reproduced in whole or in part, or transferred to any other media or language by any means, without the prior written permission of Renishaw.

RENISHAW® and the probe symbol are registered trade marks of Renishaw plc. Renishaw product names, designations and the mark 'apply innovation' are trade marks of Renishaw plc or its subsidiaries. Other brand, product or company names are trade marks of their respective owners.

WHILE CONSIDERABLE EFFORT WAS MADE TO VERIFY THE ACCURACY OF THIS DOCUMENT AT PUBLICATION, ALL WARRANTIES, CONDITIONS, REPRESENTATIONS AND LIABILITY, HOWSOEVER ARISING, ARE EXCLUDED TO THE EXTENT PERMITTED BY LAW. RENISHAW RESERVES THE RIGHT TO MAKE CHANGES TO THIS DOCUMENT AND TO THE EQUIPMENT, AND/OR SOFTWARE AND THE SPECIFICATION DESCRIBED HEREIN WITHOUT OBLIGATION TO PROVIDE NOTICE OF SUCH CHANGES.

Renishaw plc. Registered in England and Wales. Company no: 1106260. Registered office: New Mills, Wotton-under-Edge, Glos, GL12 8JR, UK.

Part no.: H-5465-8220-06-B

Issued: 02.2023