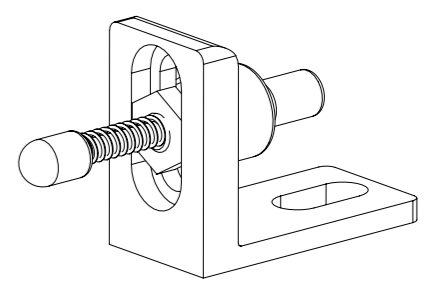
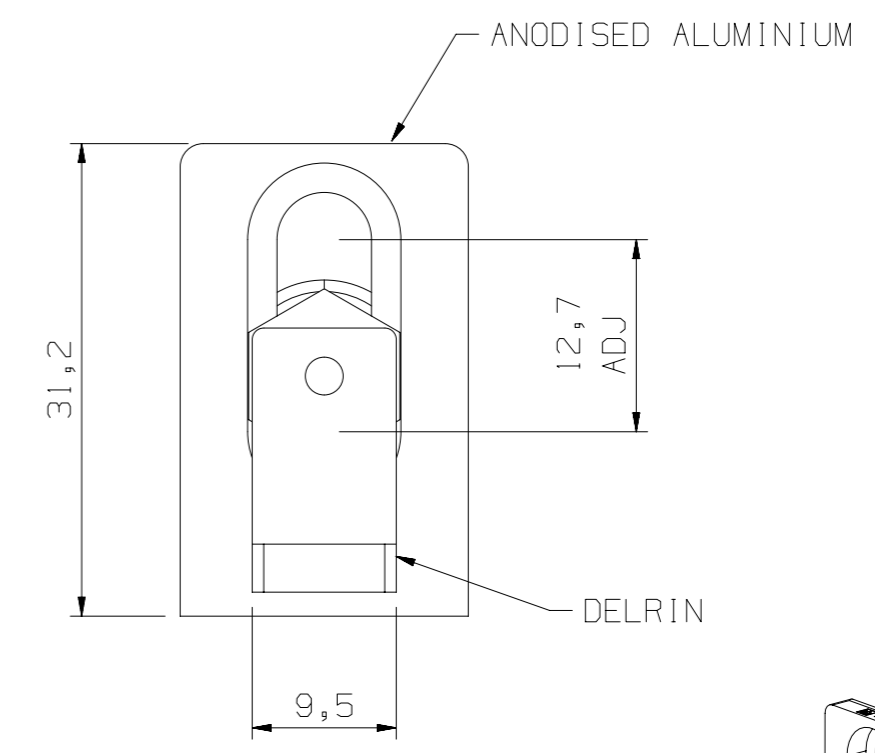
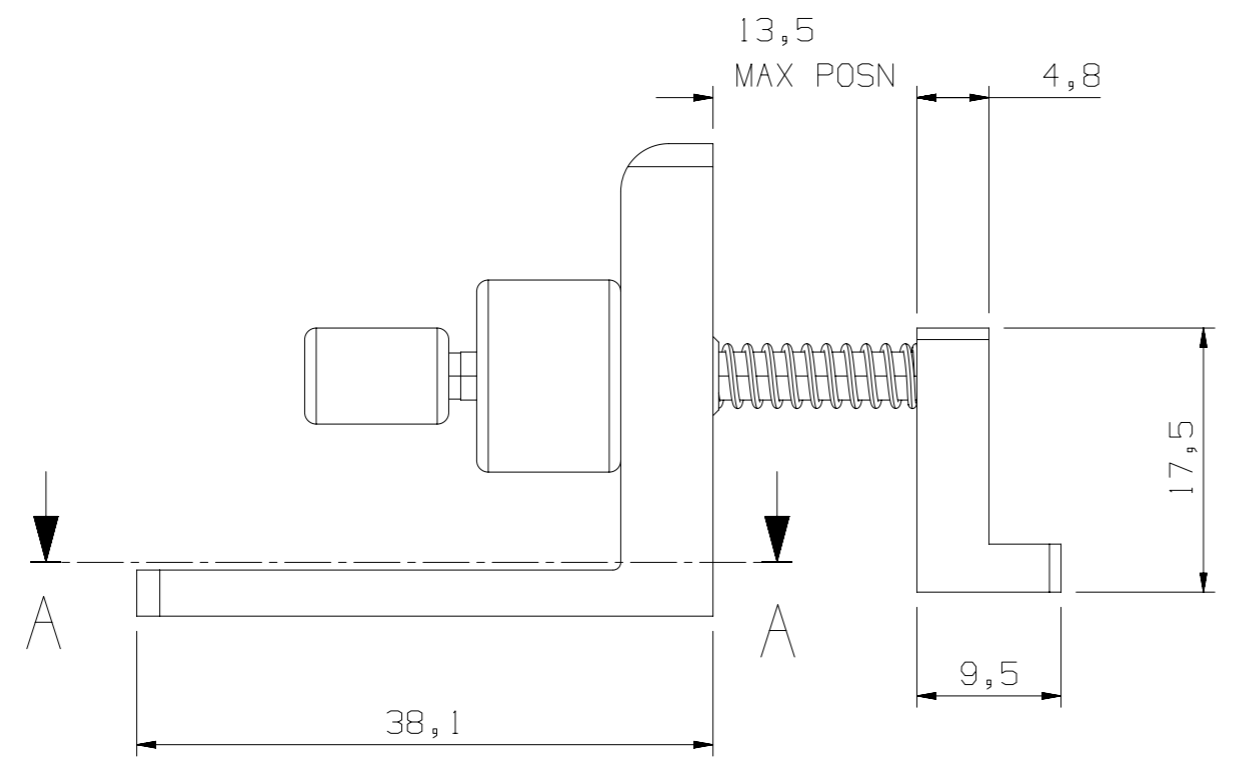
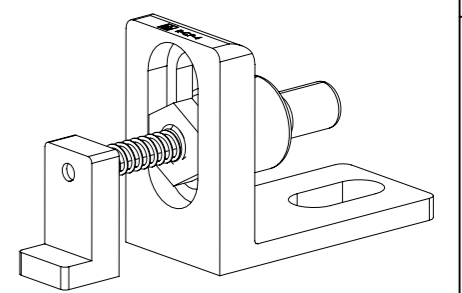


SECTION A-A



BULLET NOSE TIP INCLUDED



SCALE 1:1

NOTE:  
PART NUMBER INCLUDES SOCKET HEAD CAP SCREW, THUMB SCREW AND WASHER

TO ORDER PLEASE QUOTE PART NUMBER R-CP-4

THIS IS A CUSTOMER DRAWING. DIMENSIONS ARE GENERALLY NOMINAL EXCEPT WHERE TOLERANCED.  TOLERANCED DIMENSIONS ARE CONSIDERED CRITICAL AND ARE INSPECTED BY OUR QUALITY DEPARTMENT PRIOR TO DESPATCH.  ALL DIMENSIONS ARE IN MILLIMETRES. DRAWING PRACTICE TO BS 8888.	3rd ANGLE PROJECTION 	TITLE <b>M4 P/CLMP</b>		ISSUE No. -	DRAWN BY LB	DRAWN DATE DEC 19
	DO NOT SCALE	MATERIAL TYPE CODE	MATERIAL	SHEET 1 OF 1	CHECKED -	
CONFIDENTIAL. THIS DRAWING IS THE PROPERTY OF © RENISHAW plc, AND MAY NOT BE COPIED OR USED FOR ANY PURPOSE, OTHER THAN THAT FOR WHICH IT IS SUPPLIED, WITHOUT THE EXPRESS WRITTEN AUTHORITY OF RENISHAW plc.	<b>RENISHAW®</b>		Wotton - under - Edge Glos. England. GL12 8JR	SCALE U.O.S. 2:1	DRAWING No. <b>N-R-CP-4-A</b>	