

MCU docking plate

© 2003 - 2020 Renishaw plc. All rights reserved.

This document may not be copied or reproduced in whole or in part, or transferred to any other media or language, by any means, without the prior written permission of Renishaw.

The publication of material within this document does not imply freedom from the patent rights of Renishaw plc.

Disclaimer

RENISHAW HAS MADE CONSIDERABLE EFFORTS TO ENSURE THE CONTENT OF THIS DOCUMENT IS CORRECT AT THE DATE OF PUBLICATION BUT MAKES NO WARRANTIES OR REPRESENTATIONS REGARDING THE CONTENT. RENISHAW EXCLUDES LIABILITY, HOWSOEVER ARISING, FOR ANY INACCURACIES IN THIS DOCUMENT.

Trademarks

RENISHAW, the probe symbol used in the RENISHAW logo and **REVO** are registered trademarks of Renishaw plc in the United Kingdom and other countries. **apply innovation** and names and designations of other Renishaw products and technologies are trademarks of Renishaw plc or its subsidiaries.

All brand names and product names used in this document are trade names, service marks, trademarks, or registered trademarks of their respective owners.

All trademarks and trade names are acknowledged.

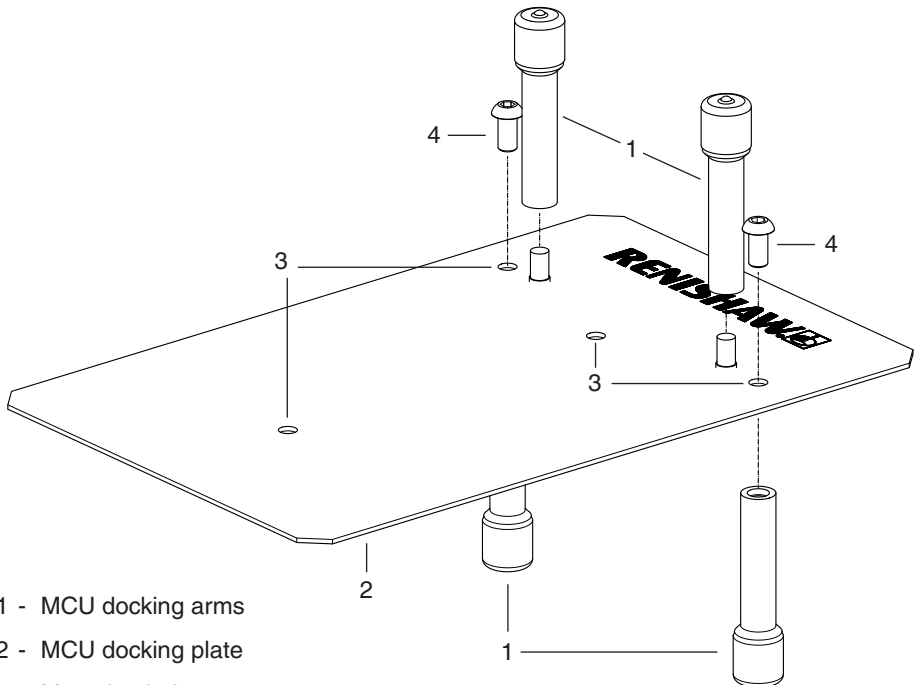
Renishaw part no: H-1000-5239-03-A

Issued: 10.2020

MCU docking port

The recommended procedure to construct the MCU docking station is as detailed below:

1. Remove the MCU docking port components from their transit packaging.
2. Screw the docking arms (1) onto the threaded studs located on the MCU docking plate (2) and hand tighten.
3. Secure to the surface by an appropriate method; adhesive, Velcro, screws etc. Mounting holes (3) are provided to assist this process.
4. If required two extra docking arms are supplied in order to use the MCU docking port at an angle. These are attached by screwing two M6 × 12 mm screws (4) (supplied) through the top two mounting holes (3).
5. Locate the docking port onto the required surface ensuring that the plate is positioned in a way that the MCU does not fall out of its holding position due to gravity.



- 1 - MCU docking arms
- 2 - MCU docking plate
- 3 - Mounting holes
- 4 - M6 × 12 mm screws

Renishaw plc

New Mills, Wotton-under-Edge,
Gloucestershire, GL12 8JR
United Kingdom

T +44 (0)1453 524524

F +44 (0)1453 524901

E uk@renishaw.com

www.renishaw.com

RENISHAW 
apply innovation™

**For worldwide contact details,
please visit our main website at
www.renishaw.com/contact**



H - 1000 - 5239 - 03