

DPU-2 MK2 data processing unit



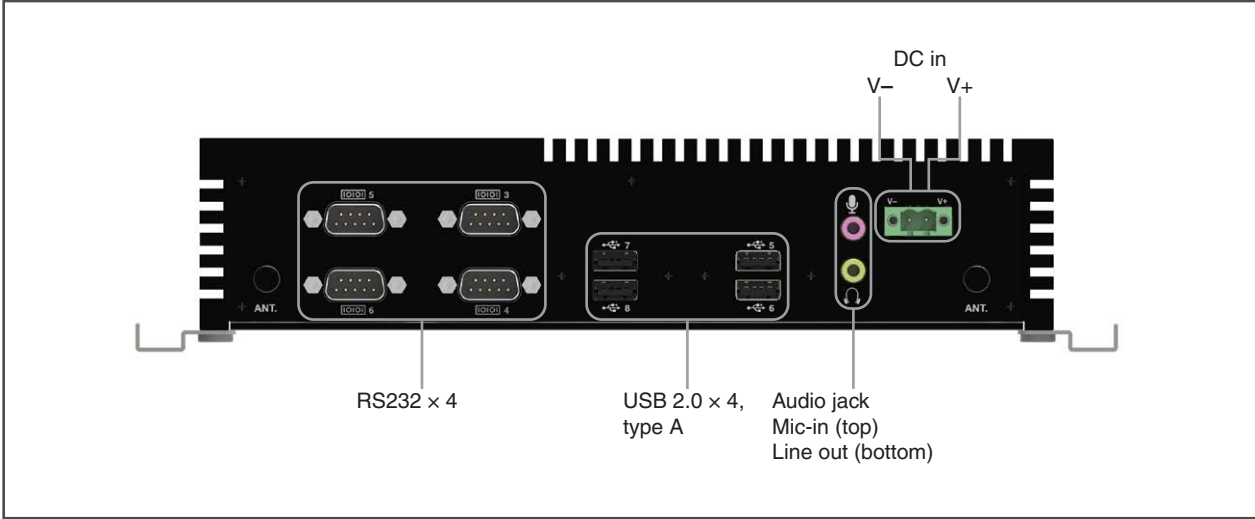
Specification

Principal application	Data processing unit that hosts programming and data analysis software for use with Renishaw probing systems.	
Compatible software applications	Productivity+™ CNC plug-in; Productivity+™ Scanning Toolkits (see <i>Productivity+™ Scanning Suite</i> data sheet (Renishaw part no. H-4007-8205) for applicable software part numbers)	
Dimensions (excluding mounting brackets and DIN rail clips)	Width	254 mm (10 in)
	Height	57 mm (2.24 in)
	Depth	147 mm (5.79 in)
Weight	2450 g (89.60 oz)	
Battery type ¹	1 × CR2032 3 V lithium-manganese dioxide (Li-MnO ₂)	
Supply voltage	12 Vdc to 24 Vdc (powered from CNC machine tool)	
Power consumption	65 W (maximum)	
Power connection	2-pin Phoenix connector	
Power on	Auto on	
System storage	8 GB RAM, 256 GB solid-state drive	
USB connection	4 × USB 3.2 4 × USB 2.0	
Ethernet connection	2 × LAN ports 2 × PSE ports	
Display connection	1 × HDMI 1 × display port	
Communications connection	4 × RS232 2 × RS232/422/485	
Audio connection	1 × Mic-in 1 × Line-out	
General purpose connection	1 × GPIO	
Mounting	DIN rail mount	
Environment	Operating temperature	–20 °C to +60 °C (–4 °F to +140 °F) BS EN 60068-2-30:2005
	Humidity	5% to 95% (non-condensing)
	Cooling	Fanless

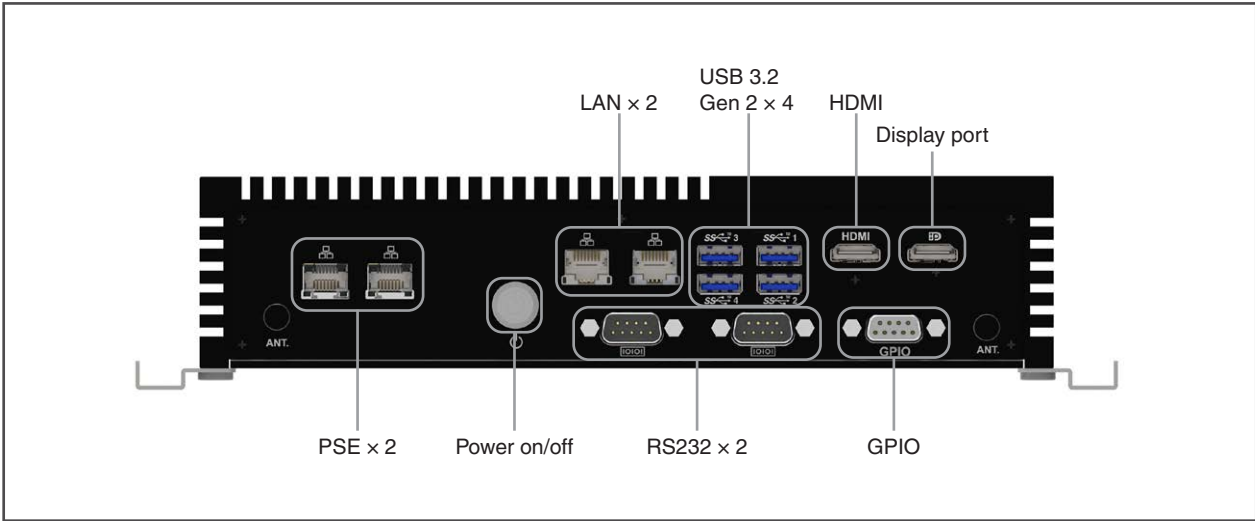
¹ The DPU-2 MK2 uses one CR2032 3 V lithium-manganese dioxide (Li-MnO₂) coin cell CMOS battery to retain time and date information and configuration settings. The battery is enclosed in a shroud, has soldered wires and is fitted with a 2-pin Molex connector.

Connections

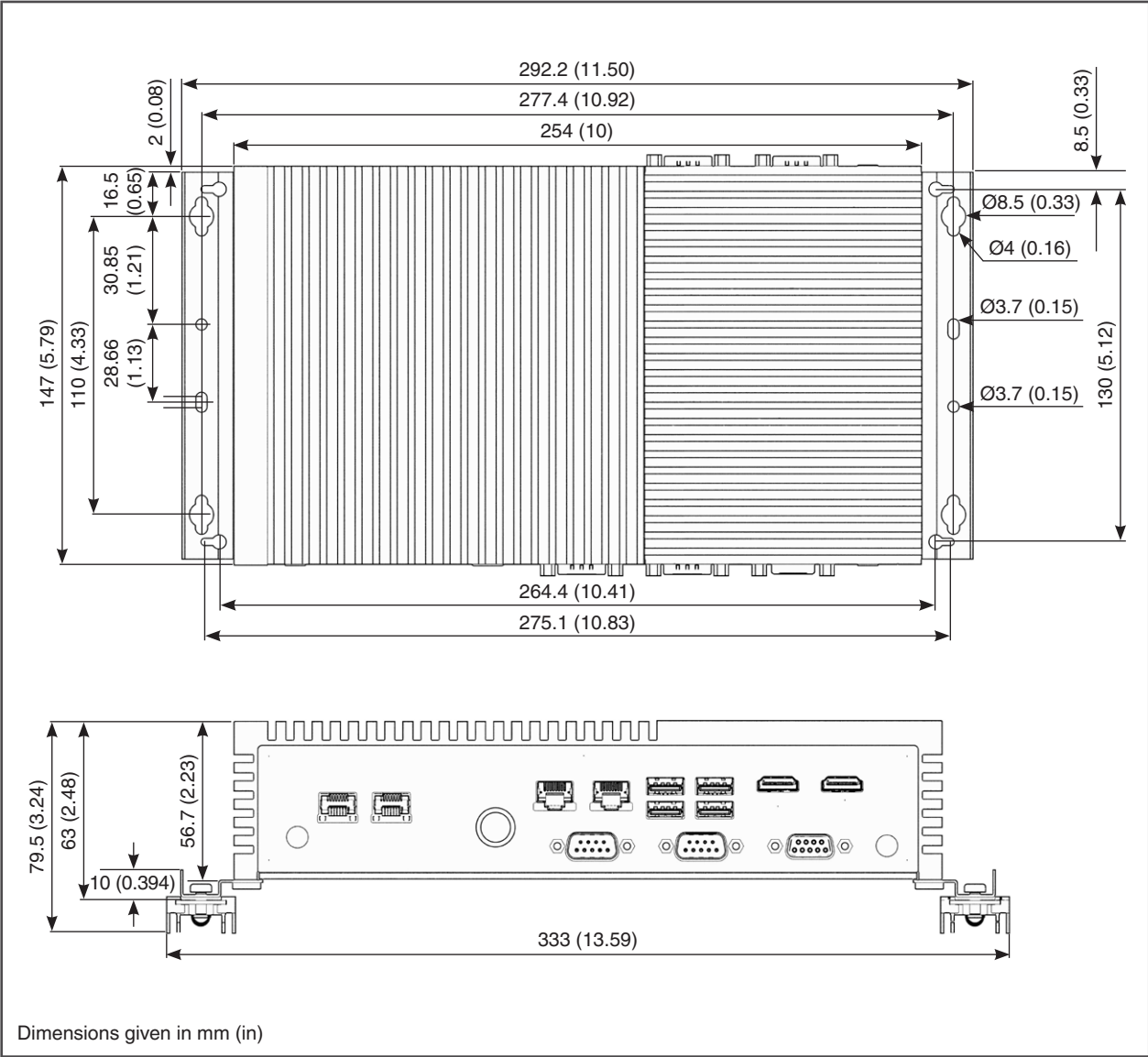
Front face



Rear face



Dimensions




www.renishaw.com/contact



#renishaw

 +44 (0) 1453 524 524

 uk@renishaw.com

© 2024 Renishaw plc. All rights reserved. This document may not be copied or reproduced in whole or in part, or transferred to any other media or language by any means, without the prior written permission of Renishaw.

RENISHAW® and the probe symbol are registered trade marks of Renishaw plc. Renishaw product names, designations and the mark 'apply innovation' are trade marks of Renishaw plc or its subsidiaries. Other brand, product or company names are trade marks of their respective owners.

WHILE CONSIDERABLE EFFORT WAS MADE TO VERIFY THE ACCURACY OF THIS DOCUMENT AT PUBLICATION, ALL WARRANTIES, CONDITIONS, REPRESENTATIONS AND LIABILITY, HOWSOEVER ARISING, ARE EXCLUDED TO THE EXTENT PERMITTED BY LAW. RENISHAW RESERVES THE RIGHT TO MAKE CHANGES TO THIS DOCUMENT AND TO THE EQUIPMENT, AND/OR SOFTWARE AND THE SPECIFICATION DESCRIBED HEREIN WITHOUT OBLIGATION TO PROVIDE NOTICE OF SUCH CHANGES.

Renishaw plc. Registered in England and Wales. Company no: 1106260. Registered office: New Mills, Wotton-under-Edge, Glos, GL12 8JR, UK.

Part no.: H-4007-8210-01-A

Issued: 03.2024