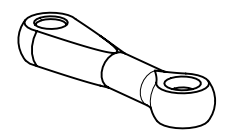
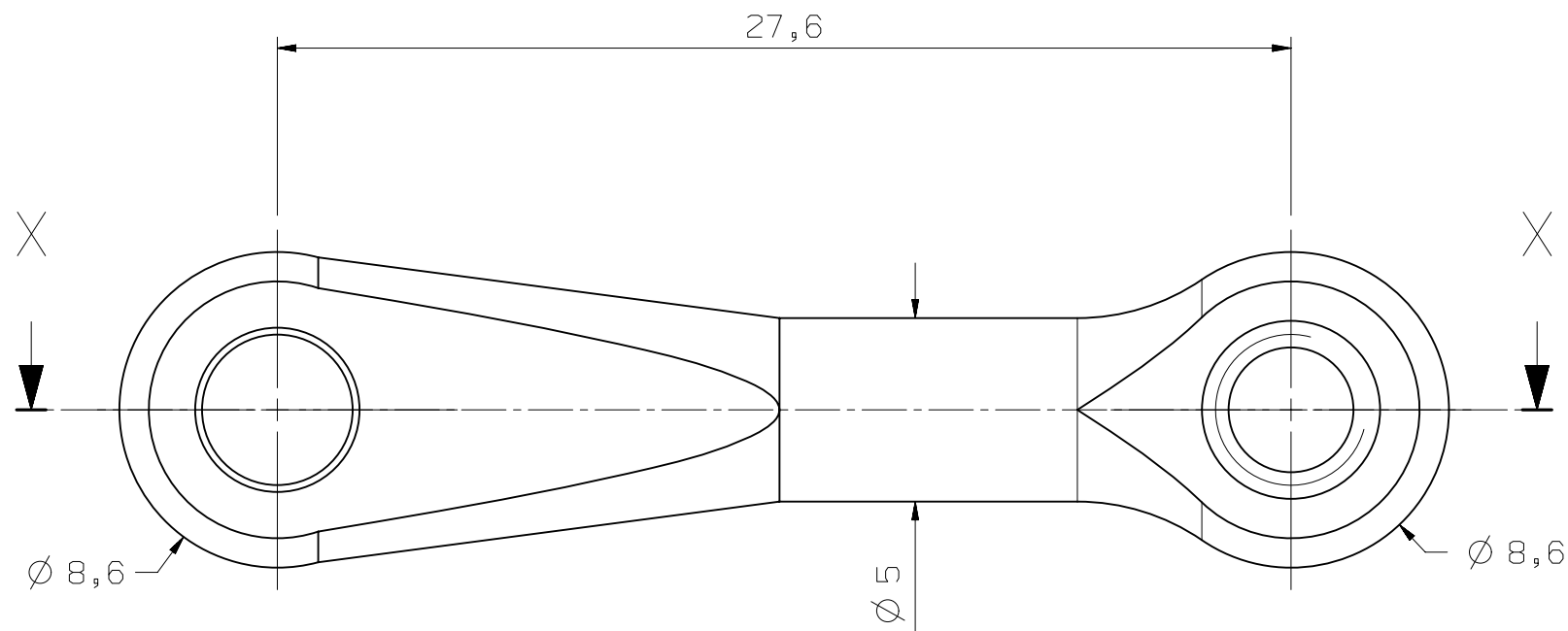


SECTION X - X



SCALE 1:1

TO ORDER PLEASE QUOTE RENISHAW PART NUMBER A-5004-7606

THIS IS A CUSTOMER DRAWING. DIMENSIONS ARE GENERALLY NOMINAL EXCEPT WHERE TOLERANCED.
 TOLERANCED DIMENSIONS ARE CONSIDERED CRITICAL AND ARE INSPECTED BY OUR QUALITY DEPARTMENT PRIOR TO DESPATCH.
 ALL DIMENSIONS ARE IN MILLIMETRES.
 DRAWING PRACTICE TO BS 8888.

3rd ANGLE PROJECTION

DO NOT SCALE

TITLE M4 CEX SS L1-5 L2-27.6		FIRST ISSUE No. _____	DRAWN BY GJP	DRAWN DATE NOV '06
MATERIAL TYPE CODE R/ _____	MATERIAL STAINLESS STEEL	SHEET 1 OF 1	CHECKED _____	ISSUE DATE _____

CONFIDENTIAL. THIS DRAWING IS THE PROPERTY OF © RENISHAW plc, AND MAY NOT BE COPIED OR USED FOR ANY PURPOSE, OTHER THAN THAT FOR WHICH IT IS SUPPLIED, WITHOUT THE EXPRESS WRITTEN AUTHORITY OF RENISHAW plc.



Wotton - under - Edge
Glos. England.

SCALE
U.O.S.
5:1

DRAWING No.
N-5004-7606-00-A