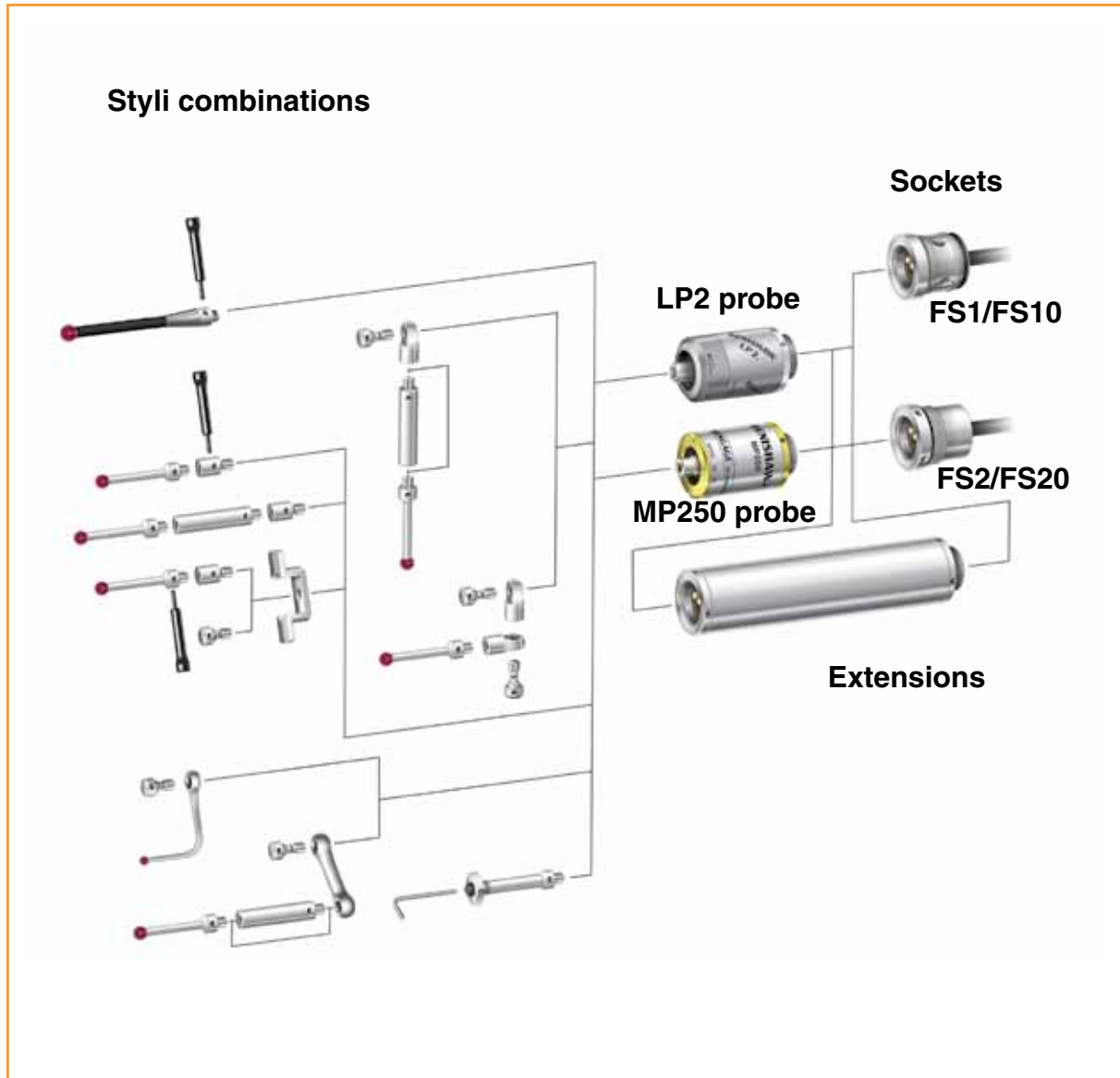


FS sockets for Ø25 mm probes

www.renishaw.com/mp250



FS sockets

- The FS10 and FS20 sockets are used for holding the MP250 probes.
- The FS1, FS2 and FS3 sockets are used for holding the LP2 and LP2H probes.
- Specific versions can be customised to meet with your individual requirements.

Extension bars

- Features with restricted access can be reached by adding an LPE extension bar between the probe and FS socket.
- LPE extension bars are available in three different lengths. LPE1 (50 mm long), LPE2 (100 mm long) and LPE3 (150 mm long).

Data sheet

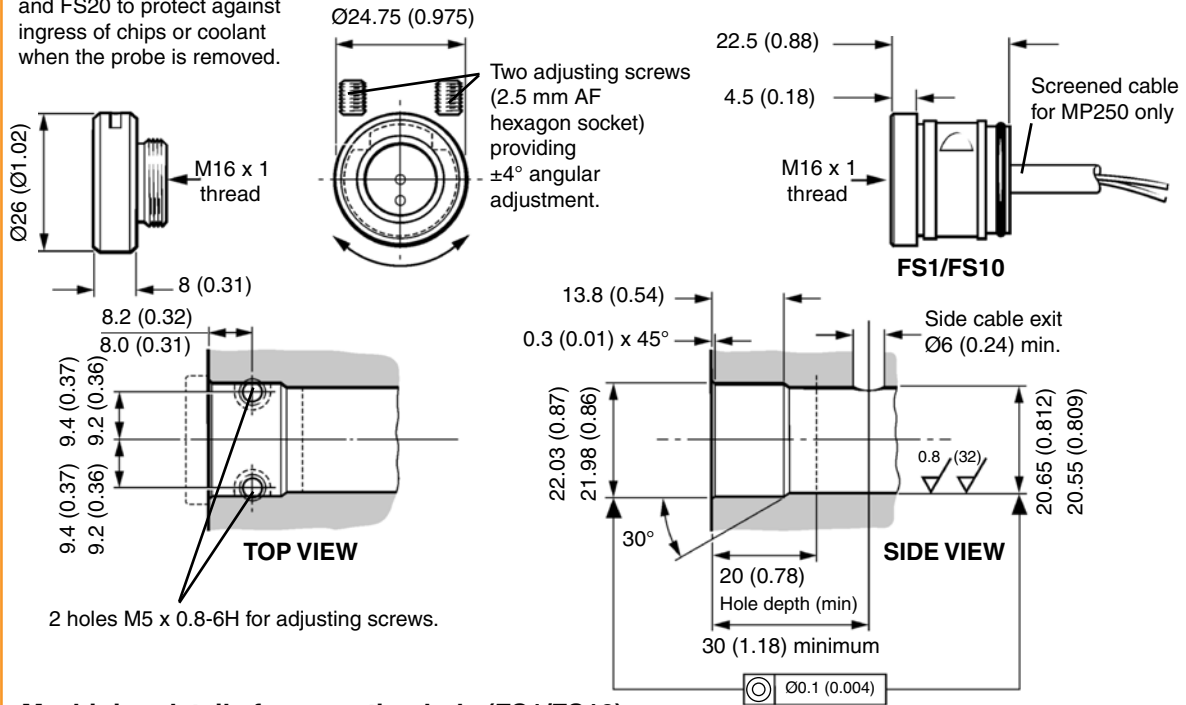
FS sockets for Ø25 mm probes

FS1, FS2, FS10 and FS20 sockets

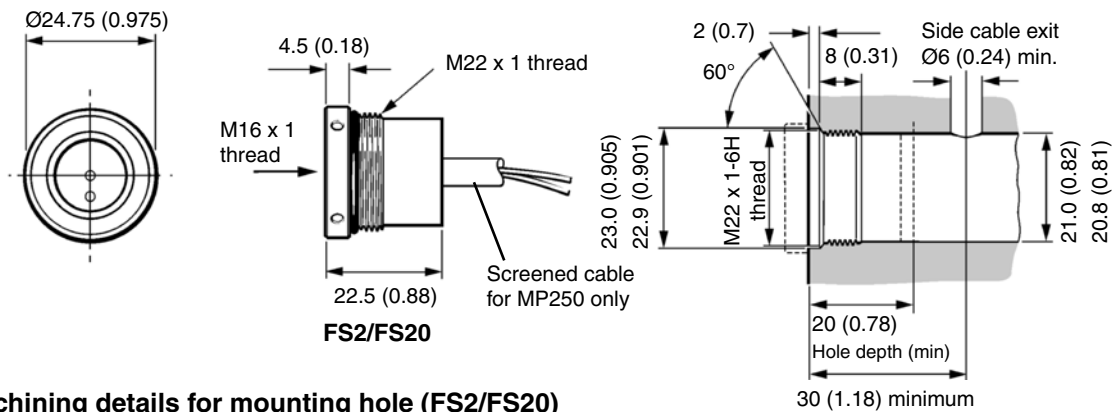
Dimensions given in mm (in)

Wire colour	Pin connection
Blue	Inner spring pin
Green	Outer spring pin

Cover for FS1, FS2, FS10 and FS20 to protect against ingress of chips or coolant when the probe is removed.



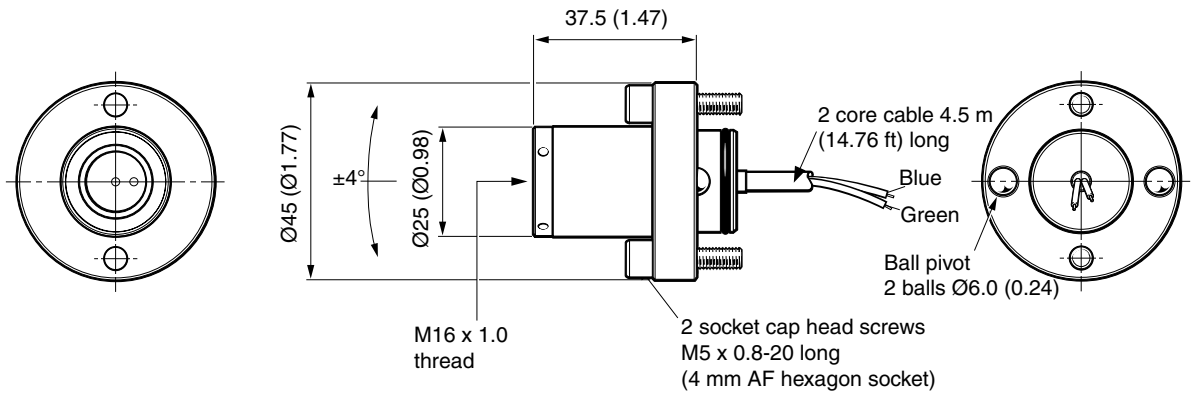
Machining details for mounting hole (FS1/FS10)



Machining details for mounting hole (FS2/FS20)

FS3 socket for LP2 and LP2H probes

Dimensions given in mm (in)



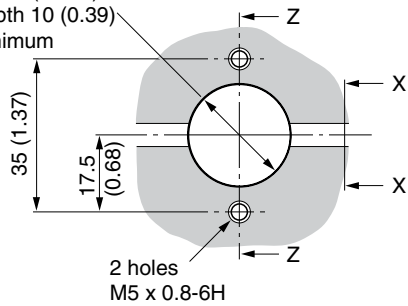
Installation

Ø23.6 (0.929)

Ø23.5 (0.925)

Depth 10 (0.39)

minimum



Ball Ø6.0 (0.24)

90°

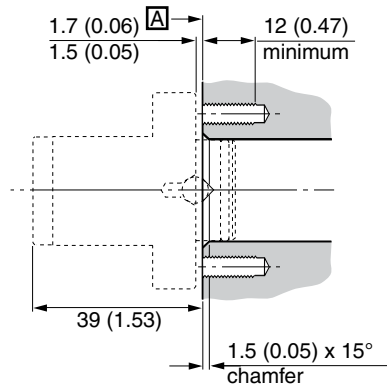
1.7 (0.06)
1.5 (0.05)

Section XX

Machining required on face **A**

1.7 (0.06) **A**
1.5 (0.05)

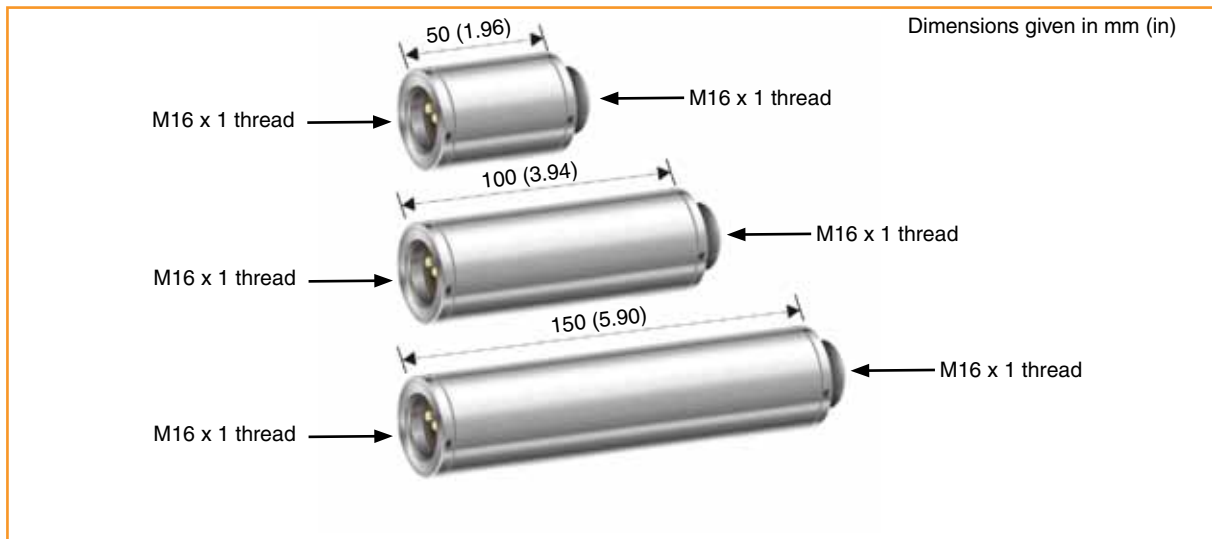
12 (0.47) minimum



Section ZZ

Machining details for mounting hole (FS3)

Extension bars for LP2, LP2H and MP250 probes



Parts list — please quote the part number when ordering equipment

Type	Part no.	Description
FS10 socket for MP250 probe	A-5500-1710	FS10 adjustable socket (angular rotation) with 10 m of screened cable.
FS20 socket for MP250 probe	A-5500-1810	FS20 fixed socket (rigid rotation) with 10 m of screened cable.
FS1 socket for LP2 or LP2H probes	A-2063-6697	FS1 adjustable socket (angular rotation) with 2 wires 0.5 m.
FS2 socket for LP2 or LP2H probes	A-2063-5431	FS2 fixed socket (rigid mounting) with 2 wires 0.5 m.
FS3 socket for LP2 or LP2H probes	A-2063-5308	FS3 single axis adjustable holder (pivots) with 2 wires 0.5 m.
LPE1	A-2063-7001	LPE1 extension bar - 50 mm long.
LPE2	A-2063-7002	LPE2 extension bar - 100 mm long.
LPE3	A-2063-7003	LPE3 extension bar - 150 mm long.
Publications. These can be downloaded from our web site at www.renishaw.com		
Styli	H-1000-3200	Technical specification: Styli and accessories.
Adaptors, extensions and holders	H-2000-2120	Data sheet: Adaptors, extensions and holders

For worldwide contact details, please visit our main web site at www.renishaw.com/contact

