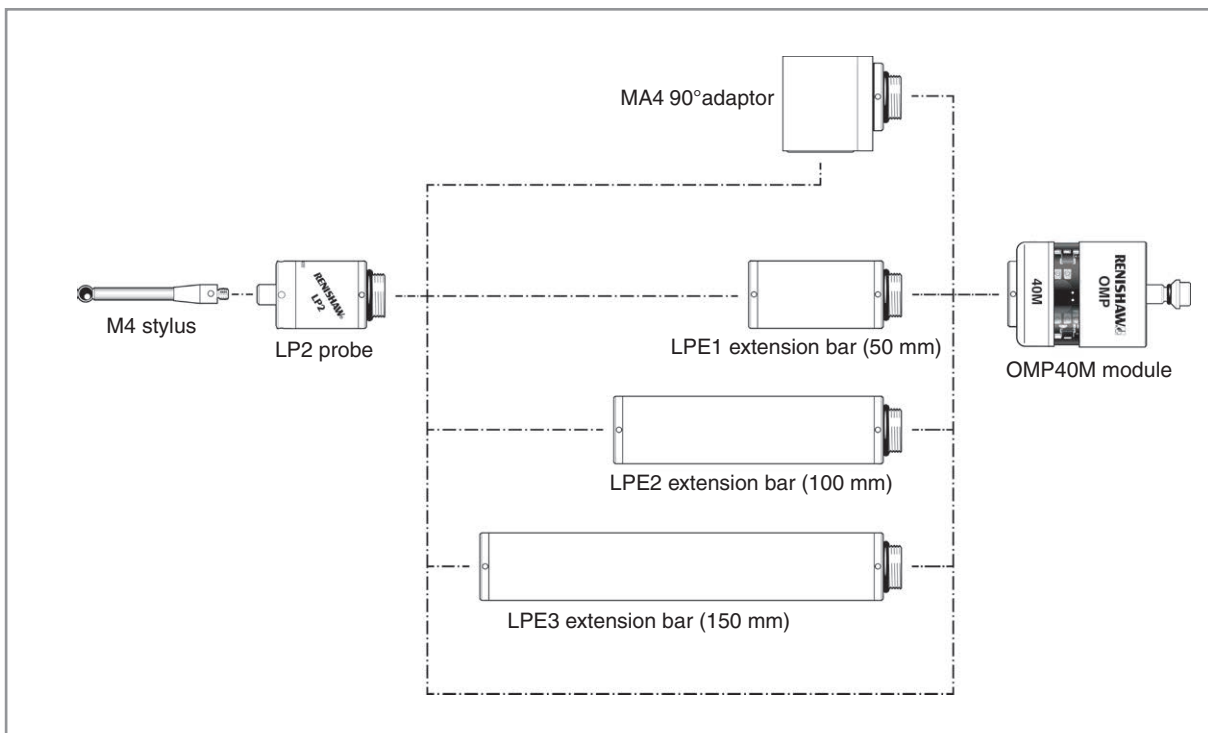


Optical modular probes

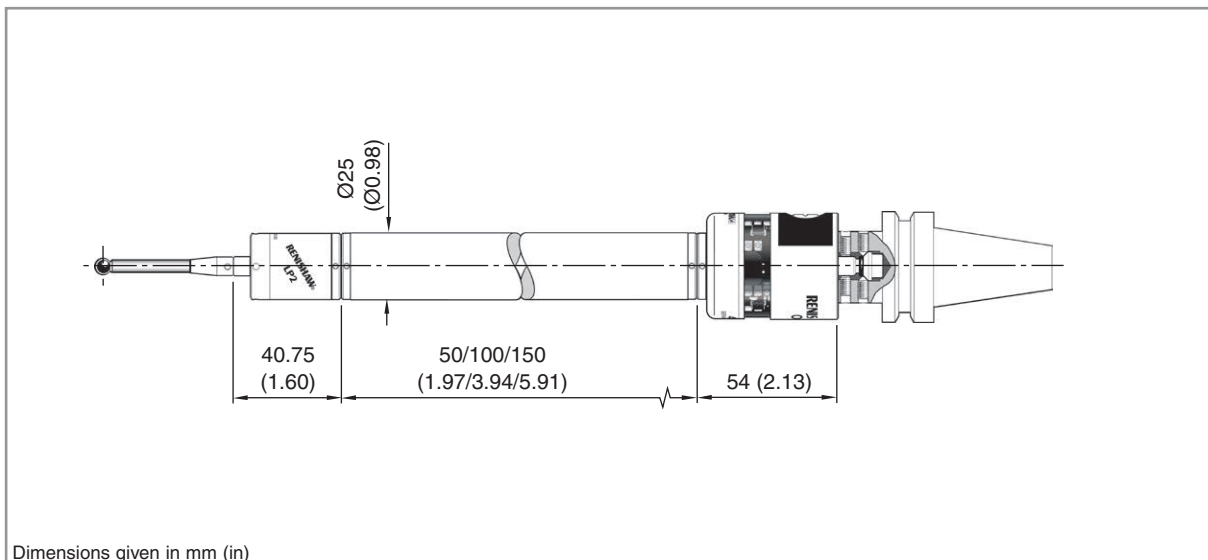


OMP40M modular system

The OMP40M is a special modular version of the OMP40-2. It enables probe inspection of part features, inaccessible to OMP40-2, by fitting selected adaptors and extensions as shown below.

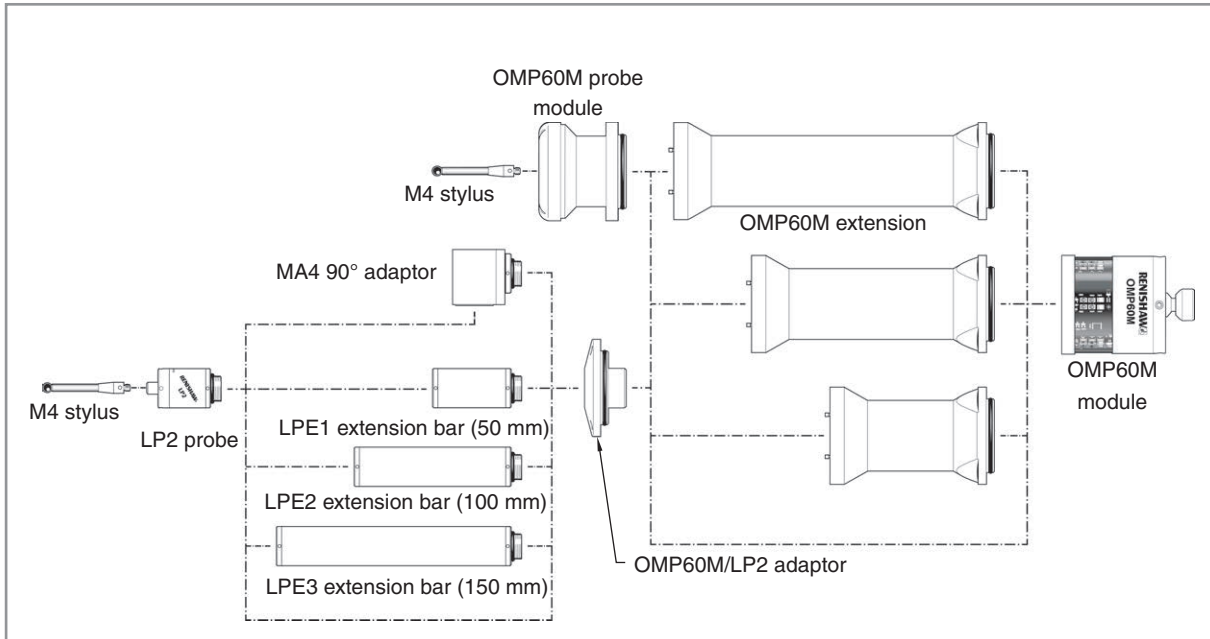


OMP40M dimensions

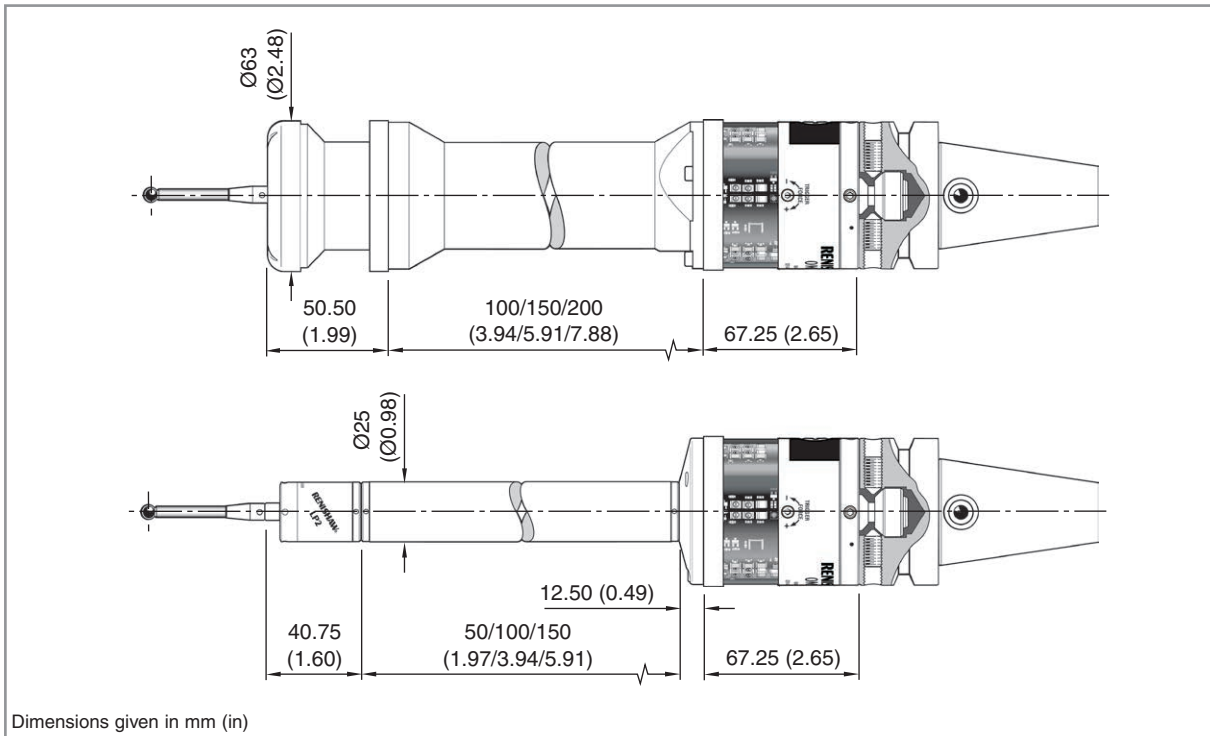


OMP60M modular system

The OMP60M is a special modular version of the OMP60. It enables probe inspection of part features, inaccessible to OMP60, by fitting selected adaptors and extensions as shown.



OMP60M dimensions



Spare parts and accessories

A full range of spare parts and accessories is available.
 Please contact Renishaw for a full list.

**For worldwide contact details, please visit our
 main website at www.renishaw.com/contact**

RENISHAW HAS MADE CONSIDERABLE EFFORTS TO ENSURE THE CONTENT OF THIS DOCUMENT IS CORRECT AT THE DATE OF PUBLICATION BUT MAKES NO WARRANTIES OR REPRESENTATIONS REGARDING THE CONTENT. RENISHAW EXCLUDES LIABILITY, HOWSOEVER ARISING, FOR ANY INACCURACIES IN THIS DOCUMENT.

