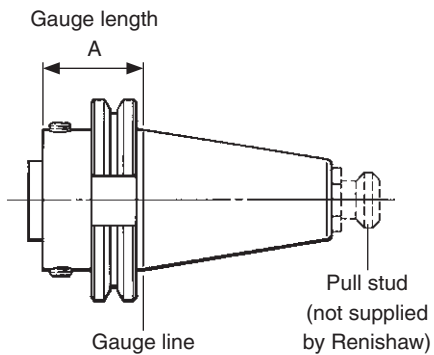


Taper shanks for machine tool probes

Shanks for OMP60 / OMP600 / RMP60 / RMP600 (when not used in shank switch configuration) and MP11 probes

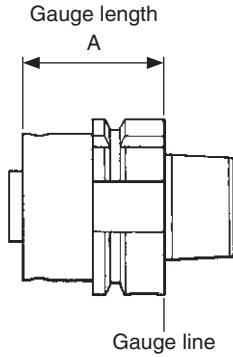
- Quote the part number when ordering equipment.
- Shanks are supplied in a natural finish.
- Dimensions are provided in mm (in).
- Face and taper (+) shanks should only be used where absolutely necessary.
- If you cannot find the shank you require, contact your local Renishaw representative for further information.

Taper shanks



Shank type	Part number	Taper	Gauge length A
DIN 69871A (ISO 7388-1)	M-2045-0064	30	35.25 (1.388)
	M-2045-0065	40	35.25 (1.388)
	M-2045-0412	40+	35.25 (1.388)
	M-2045-0067	50	35.25 (1.388)
	M-2045-0413	50+	41.00 (1.614)
BT - 1982 (ISO 7388-2)	M-2045-0077	30	27.50 (1.083)
	M-2045-0487	30+	27.50 (1.083)
	M-2045-0027	40	32.00 (1.260)
	M-2045-0410	40+	32.00 (1.260)
	M-2045-0038	45	33.00 (1.300)
	M-2045-0073	50	38.00 (1.496)
	M-2045-0411	50+	38.00 (1.496)
ASME (formerly ANSI) B5.50-1985 CAT (imperial pull stud thread)	M-2045-0068	30	48.00 (1.890)
	M-2045-0137	40	35.25 (1.388)
	M-2045-0596	40+	36.00 (1.417)
	M-2045-0138	45	35.25 (1.388)
	M-2045-0139	50	35.25 (1.388)
	M-2045-0480	50+	33.40 (1.315)
ASME (formerly ANSI) B5.50-1985 CAT (metric pull stud thread)	M-2045-0208	40	40.00 (1.575)
	M-2045-0414	40+	40.25 (1.585)
	M-2045-0277	45	35.25 (1.388)
	M-2045-0238	50	35.25 (1.388)
	M-2045-0415	50+	35.25 (1.388)
DIN 2080 (manual tool change)	M-2045-0132	30	20.00 (0.787)
	M-2045-0024	40	13.60 (0.535)
	M-2045-0026	50	15.20 (0.598)

HSK shanks

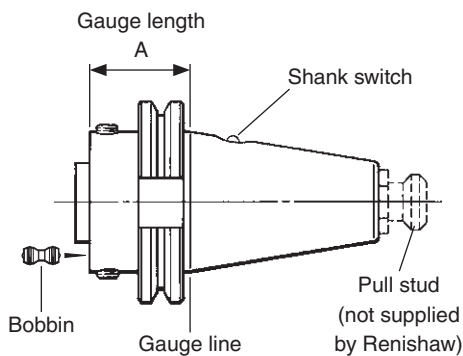


Shank type	Part number	HSK	Gauge length A
DIN 69893 HSK form A+C (ISO 12164-1)	M-2045-0232	A+C32	46.00 (1.811)
	M-2045-0186	A+C40	47.00 (1.850)
	M-2045-0187	A+C50	50.00 (1.969)
	M-2045-0188	A+C63	53.00 (2.087)
	M-2045-0189	A+C80	50.00 (1.969)
	M-2045-0190	A+C100	61.00 (2.402)
	M-2045-0333	A+C125	65.00 (2.560)
DIN 69893 HSK form E (ISO12164-1)	M-2045-0548	E32	46.75 (1.841)
	M-2045-0204	E40	42.40 (1.669)
	M-2045-0205	E50	47.00 (1.850)
	M-2045-0206	E63	53.00 (2.087)
DIN 69893 HSK form F (ISO12164-1)	M-2045-0287	F63	53.00 (2.087)
	M-2045-0339	F80	53.00 (2.087)
DIN 69893 HSK form T (ISO12164-1)	M-2045-0642	T63	53.00 (2.087)
	M-2045-0592	T100	61.00 (2.402)
CAPTO C (ISO 26623-1)	M-2045-0313	C4	40.00 (1.575)
	M-2045-0346	C5	32.00 (1.260)
	M-2045-0310	C6	42.00 (1.654)
	M-2045-0311	C8	50.00 (1.969)
KENNAMETAL KM (ISO 26622-1)	M-2045-0335	KM63	25.60 (1.008)
	M-2045-0344	KM63Y	30.00 (1.181)
	M-2045-0484	KM80	27.60 (1.087)

Shanks for OMP60 / OMP600 / RMP60 / RMP600 probes (when used in shank switch configuration)

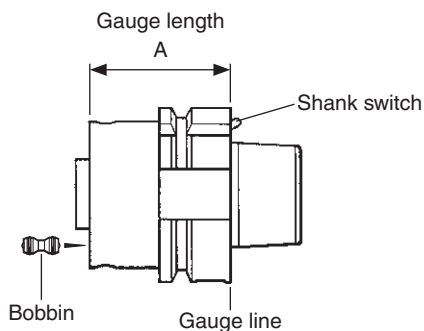
- Quote the part number when ordering equipment.
- Shanks are supplied in a natural finish.
- The bobbin is supplied with the shank.
- Dimensions are provided in mm (in).
- Face and taper (+) shanks should only be used where absolutely necessary.
- If you cannot find the shank you require, contact your local Renishaw representative for further information.

Taper shanks



Shank type	Part number	Taper	Gauge length A
DIN 69871A (ISO 7388-1)	A-4038-0231	30	65.00 (2.560)
	A-4038-0053	40	35.25 (1.388)
	A-4038-0232	50	41.00 (1.614)
BT - 1982 (ISO 7388-2)	A-4038-0233	30	65.00 (2.559)
	A-4038-0234	40	35.25 (1.388)
	A-4038-0235	50	41.00 (1.614)
	A-4038-0834	50+	58.00 (2.283)
ASME (formerly ANSI) B5.50-1985 CAT (imperial pull stud thread)	A-4038-0236	30	65.00 (2.559)
	A-4038-0237	40	35.25 (1.388)
	A-4038-0846	40+	35.25 (1.388)
	A-4038-0238	50	35.25 (1.388)
ASME (formerly ANSI) B5.50-1985 CAT (metric pull stud thread)	A-4038-0239	40	35.25 (1.388)
	A-4038-0240	50	35.25 (1.388)

HSK shanks



Shank type	Part number	HSK	Gauge length A
DIN 69893 HSK form A+C (ISO 12164-1)	A-4038-0070	A+C40	72.50 (2.854)
	A-4038-0050	A+C50	62.00 (2.441)
	A-4038-0063	A+C63	59.90 (2.358)
	A-4038-0241	A+C80	62.50 (2.461)
	A-4038-0242	A+C100	61.00 (2.402)
DIN 69893 HSK form E (ISO12164-1)	A-4038-0243	E40	72.50 (2.854)
	A-4038-0244	E50	62.00 (2.441)
	A-4038-0245	E63	60.00 (2.362)
DIN 69893 HSK form F (ISO12164-1)	A-4038-0701	F63	60.00 (2.362)
CAPTO C (ISO 26623-1)	A-4038-0464	C6	55.00 (2.165)
	A-4038-0394	C8	55.00 (2.165)
KENNAMETAL KM (ISO 26622-1)	A-4038-0709	KM63	62.00 (2.441)

Bobbin for shank switch configuration

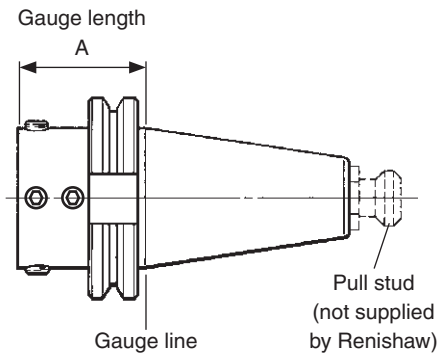


Part number
A-4038-0303

Shanks for OMP40 / OMP400 / RMP40 / RMP400 probes

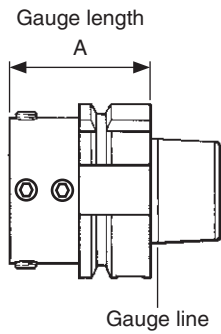
- Quote the part number when ordering equipment.
- Shanks are supplied in a natural finish.
- Dimensions are provided in mm (in).
- Face and taper (+) shanks should only be used where absolutely necessary.
- If you cannot find the shank you require, contact your local Renishaw representative for further information.

Taper shanks



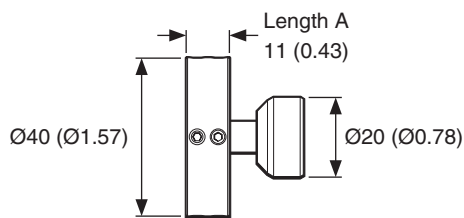
Shank type	Part number	Taper	Gauge length A
DIN 69871A (ISO 7388-1)	M-4071-0048	30	35.25 (1.388)
	M-4071-0340	30+	35.25 (1.388)
	M-4071-0069	40	41.60 (1.638)
	M-4071-0070	50	50.00 (1.969)
BT - 1982 (ISO 7388-2)	M-4071-0049	30	27.25 (1.073)
	M-4071-0170	30+	27.25 (1.073)
	M-4071-0057	40	32.00 (1.260)
	M-4071-0181	40+	38.50 (1.516)
	M-4071-0071	50	51.00 (2.008)
	M-4071-0156	50+	50.00 (1.969)
ASME (formerly ANSI) B5.50-1985 CAT (imperial pull stud thread)	M-4071-0050	30	35.30 (1.390)
	M-4071-0058	40	35.30 (1.390)
	M-4071-0214	40+	35.25 (1.388)
	M-4071-0072	50	35.30 (1.390)
	M-4071-0392	50+	35.30 (1.390)
ASME (formerly ANSI) B5.50-1985 CAT (metric pull stud thread)	M-4071-0073	40	35.25 (1.388)
	M-4071-3132	40+	35.25 (1.388)
	M-4071-0064	50	35.25 (1.388)
	M-4071-0255	50+	35.25 (1.388)

HSK shanks



Shank type	Part number	HSK	Gauge length A
DIN 69893 HSK form A+C (ISO 12164-1)	M-4071-0370	A+C25	30.00 (1.181)
	M-4071-0045	A+C32	35.00 (1.378)
	M-4071-0046	A+C40	35.25 (1.388)
	M-4071-0047	A+C50	42.25 (1.663)
	M-4071-0129	A+C63	42.00 (1.654)
	M-4071-0075	A+C80	42.25 (1.663)
	M-4071-0076	A+C100	45.25 (1.781)
	DIN 69893 HSK form E (ISO12164-1)	M-4071-0044	E25
M-4071-0055		E32	35.00 (1.378)
M-4071-0054		E40	35.25 (1.388)
M-4071-0077		E50	42.25 (1.663)
M-4071-0078		E63	42.00 (1.654)
DIN 69893 HSK form F (ISO12164-1)	M-4071-0079	F63	42.25 (1.663)
DIN 69893 HSK form T (ISO12164-1)	M-4071-0383	T63	42.00 (1.654)
	M-4071-0212	T100	45.25 (1.781)
VDI	M-5625-3120	V16	22.00 (0.866)
	M-4071-0395	V20	24.00 (0.945)
	M-4071-0163	V30	24.00 (0.945)
	M-4071-0204	V40	24.00 (0.945)
	M-4071-0243	V50	17.00 (0.669)
CAPTO C (ISO 26623-1)	M-4071-0147	C3	48.00 (1.890)
	M-4071-0141	C4	40.00 (1.575)
	M-4071-0066	C5	45.00 (1.772)
	M-4071-0067	C6	45.00 (1.772)
	M-4071-0068	C8	50.00 (1.969)
KENNAMETAL KM (ISO 26622-1)	M-4071-0065	KM63	30.00 (1.181)
	M-4071-0074	KM63Y	30.00 (1.181)

Shank adaptor to fit OMP40 on to MP11 type shanks

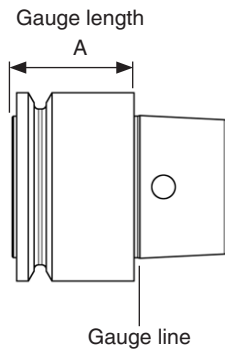


Part number	Length A
A-4071-0031	11 (0.43)

Shanks for RMP24-micro probes

- Quote the part number when ordering equipment.
- Shanks are supplied in a natural finish.
- Dimensions are provided in mm (in).
- If you cannot find the shank you require, contact your local Renishaw representative for further information.

HSK shanks



Shank type	Part number	Taper	Gauge length A
DIN 69893 HSK form E (ISO12164-1)	M-6906-0307	E25	20.10 (0.791)
	M-6906-0311	E32	20.70 (0.815)

Spare parts and accessories

A full range of spare parts and accessories is available. Contact Renishaw for a full list.

www.renishaw.com/contact



#renishaw

+44 (0) 1453 524524

uk@renishaw.com

© 2002–2024 Renishaw plc. All rights reserved. This document may not be copied or reproduced in whole or in part, or transferred to any other media or language by any means, without the prior written permission of Renishaw.

RENISHAW® and the probe symbol are registered trade marks of Renishaw plc. Renishaw product names, designations and the mark 'apply innovation' are trade marks of Renishaw plc or its subsidiaries. Other brand, product or company names are trade marks of their respective owners.

WHILE CONSIDERABLE EFFORT WAS MADE TO VERIFY THE ACCURACY OF THIS DOCUMENT AT PUBLICATION, ALL WARRANTIES, CONDITIONS, REPRESENTATIONS AND LIABILITY, HOWSOEVER ARISING, ARE EXCLUDED TO THE EXTENT PERMITTED BY LAW. RENISHAW RESERVES THE RIGHT TO MAKE CHANGES TO THIS DOCUMENT AND TO THE EQUIPMENT, AND/OR SOFTWARE AND THE SPECIFICATION DESCRIBED HEREIN WITHOUT OBLIGATION TO PROVIDE NOTICE OF SUCH CHANGES.

Renishaw plc. Registered in England and Wales. Company no: 1106260. Registered office: New Mills, Wotton-under-Edge, Glos, GL12 8JR, UK.

Part no.: H-2000-2011-12-A

Issued: 12.2024