

# Renishaw DS10 System specifications

## Renishaw DS10

### Weight and dimensions

Accuracy	20 µm to ISO10360 -4
Dimensions (approximate)	300 mm width × 400 mm depth × 550 mm height
Weight	25 kg maximum

### Mains supply

Voltage for power supply (ac-to-dc adaptor)	100 V to 240 V ac
Frequency range	50 Hz to 60 HZ
Voltage for scanning machine	18 V dc

### Environmental requirements

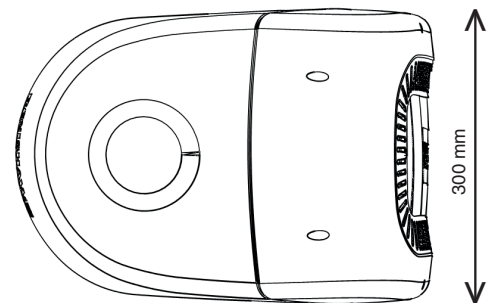
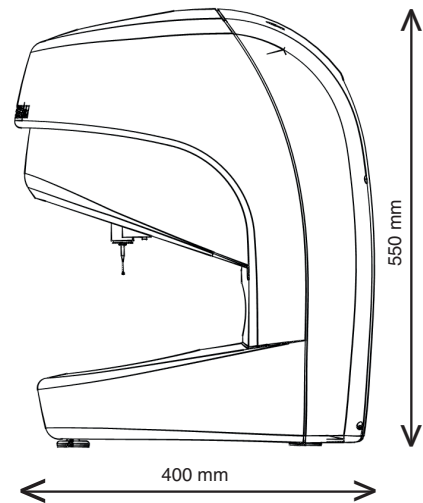
Operating environment	15 °C to 26 °C (maximum temperature change of 2 °C per hour) Relative humidity 20% to 80% RH
-----------------------	--

### Transportation environment

Transportation temperature	-20 °C to +70 °C
Transportation humidity	0% to 95%

### PC hardware – minimum requirements

Processor	Intel Pentium 4, 3.0 GHz (equivalent or better)
Hard drive	100 MB minimum free space is required, 200 GB recommended.
Memory	1 GB RAM (for Windows XP SP3) 2 GB RAM (for Windows Vista SP1 and Windows 7)
Graphics adaptor	Fully DirectX 9 compatible graphics adaptor, 256 MB (or larger) video RAM.
Colour display resolution	1024 × 768 capable
Mouse	3-button mouse or pointing device
CD-ROM drive	Required for software installation
USB ports	One spare USB port is required for data transfer to scanner
Broadband internet connection	2 Mb/s, operational



### Notes:

A dual-core processor is recommended if operating the scanner and milling machine from the same PC.

The computer must be running either Microsoft Windows XP SP3, Windows Vista SP1 (x32 or x64 Editions) or Windows 7 (x32 or x64 Editions). Microsoft Windows XP Professional x64 Edition is not supported.

For more information please visit [www.renishaw.com/dental](http://www.renishaw.com/dental)



H - 5 4 8 9 - 8 3 0 5 - 0 3