

# OLP40 optical lathe probe



Compliance information for this product is available by scanning the QR code or visiting [www.renishaw.com/mtpdoc](http://www.renishaw.com/mtpdoc)



# Contents

<b>Before you begin</b> .....	1-1
Trade marks .....	1-1
Warranty .....	1-1
CNC machines .....	1-1
Care of the probe .....	1-1
Patents .....	1-2
OLP40 software notices .....	1-2
OLP40 software licensing agreement .....	1-2
Intended use .....	1-3
Safety .....	1-4
Information to the user .....	1-4
Information to the machine supplier/ installer .....	1-5
Information to the equipment installer .....	1-5
Equipment operation .....	1-5
Optical safety .....	1-5
<b>OLP40 basics</b> .....	2-1
Introduction .....	2-1
Getting started .....	2-1
System interface .....	2-2
OMI-2, OMI-2T, OMI-2H, OMI-2C interface or OMM-2 / OMM-2C receiver with OSI / OSI-D interface (modulated transmission) .....	2-2
OMI interface or OMM receiver with MI 12 interface (legacy transmission) .....	2-2
Probe configuration .....	2-2
Opti-Logic™ .....	2-2
Trigger Logic™ .....	2-3
Probe modes .....	2-3
Configurable settings .....	2-4
Switch-off methods .....	2-4
Enhanced trigger filter .....	2-4
Optical transmission method .....	2-4
Modulated mode .....	2-5
Twin / multiple probe system .....	2-5
Legacy mode .....	2-5
Optical power .....	2-5
OLP40 dimensions .....	2-6
OLP40 specification .....	2-7
Typical battery life .....	2-8

<b>System installation</b> .....	3-1
Installing the OLP40 with OMI-2, OMI-2T, OMI-2H interface, or OMM-2 receiver with OSI / OSI-D interface .....	3-1
Operating envelope .....	3-1
Positioning the OMI-2, OMI-2T, OMI-2H interface, or OMM-2 receiver .....	3-2
Performance envelope when using the OLP40 with OMI-2, OMI-2T, OMI-2H interface, or OMM-2 receiver (modulated transmission) .....	3-2
Installing the OLP40 with a OMM-2C receiver with OSI / OSI-D interface .....	3-3
Operating envelope .....	3-3
Positioning the OMM-2C receiver .....	3-4
Performance envelope when using the OLP40 with a OMM-2C receiver .....	3-4
Preparing the OLP40 for use .....	3-5
Fitting the stylus .....	3-5
Stylus weak link .....	3-6
Installing the batteries .....	3-7
Mounting the probe on a shank .....	3-8
Stylus on-centre adjustment .....	3-9
Stylus trigger force and adjustment .....	3-10
Calibrating the OLP40 .....	3-11
Why calibrate a probe? .....	3-11
Calibrating in a bored hole or on a turned diameter .....	3-11
Calibrating in a ring gauge or on a datum sphere .....	3-12
Calibrating the probe length .....	3-12
<b>Probe configuration</b> .....	4-1
Configuring the probe using the Probe Setup app .....	4-1
Using Opti-Logic™ .....	4-1
Using Trigger Logic™ .....	4-2
Reviewing the probe settings .....	4-2
Probe settings record .....	4-3
Changing the probe settings .....	4-4
Master reset function .....	4-6
Operating mode .....	4-9
<b>Maintenance</b> .....	5-1
Maintenance .....	5-1
Cleaning the probe .....	5-1
Changing the batteries .....	5-2
OLP40 eyelid .....	5-4

**Fault-finding** .....6-1

**Parts list** .....7-1

This page is intentionally left blank.

# Before you begin

## Trade marks

Google Play and the Google Play logo are trademarks of Google LLC.

Apple and the Apple logo are trademarks of Apple Inc., registered in the U.S. and other countries. App Store is a service mark of Apple Inc., registered in the U.S. and other countries.

## Warranty

Unless you and Renishaw have agreed and signed a separate written agreement, the equipment and/or software are sold subject to the Renishaw Standard Terms and Conditions supplied with such equipment and/or software, or available on request from your local Renishaw office.

Renishaw warrants its equipment and software for a limited period (as set out in the Standard Terms and Conditions), provided that they are installed and used exactly as defined in associated Renishaw documentation. You should consult these Standard Terms and Conditions to find out the full details of your warranty.

Equipment and/or software purchased by you from a third-party supplier is subject to separate terms and conditions supplied with such equipment and/or software. You should contact your third-party supplier for details.

## CNC machines

CNC machine tools must always be operated by fully-trained personnel in accordance with the manufacturer's instructions.

## Care of the probe

Keep system components clean and treat the unit as a precision tool.

## Patents

None applicable.

## OLP40 software notices

This OLP40 product includes embedded software (firmware) to which the following notices apply:

### US government notice

#### NOTICE TO UNITED STATES GOVERNMENT CONTRACT AND PRIME CONTRACT CUSTOMERS

This software is commercial computer software that has been developed by Renishaw exclusively at private expense. Notwithstanding any other lease or licence agreement that may pertain to, or accompany the delivery of, this computer software, the rights of the United States Government and/or its prime contractors regarding its use, reproduction and disclosure are as set forth in the terms of the contract or subcontract between Renishaw and the United States Government, civilian federal agency or prime contractor respectively. Please consult the applicable contract or subcontract and the software licence incorporated therein, if applicable, to determine your exact rights regarding use, reproduction and/or disclosure.

### Renishaw software EULA

Renishaw software is licensed in accordance with the Renishaw licence at:  
[www.renishaw.com/legal/softwareterms](http://www.renishaw.com/legal/softwareterms)

## OLP40 software licensing agreement

This OLP40 product includes the following third-party software:

### BSD 3-Clause Licence

This product's firmware has been developed by Renishaw with the use of the Microchip libraries, under the following licensing terms:-

This software is developed by Microchip Technology Inc. and its subsidiaries ("Microchip").

Redistribution and use in source and binary forms, with or without modification, are permitted provided that the following conditions are met:

1. Redistributions of source code must retain the above copyright notice, this list of conditions and the following disclaimer.
2. Redistributions in binary form must reproduce the above copyright notice, this list of conditions and the following disclaimer in the documentation and/or other materials provided with the distribution.
3. Microchip's name may not be used to endorse or promote products derived from this software without specific prior written permission.



THIS SOFTWARE IS PROVIDED BY MICROCHIP “AS IS” AND ANY EXPRESS OR IMPLIED WARRANTIES, INCLUDING, BUT NOT LIMITED TO, THE IMPLIED WARRANTIES OF MERCHANTABILITY AND FITNESS FOR PURPOSE ARE DISCLAIMED. IN NO EVENT SHALL MICROCHIP BE LIABLE FOR ANY DIRECT, INDIRECT, INCIDENTAL, SPECIAL, EXEMPLARY, OR CONSEQUENTIAL DAMAGES (INCLUDING BUT NOT LIMITED TO PROCUREMENT OF SUBSTITUTE GOODS OR SERVICES; LOSS OF USE, DATA OR PROFITS; OR BUSINESS INTERRUPTION) HOWSOEVER CAUSED AND ON ANY THEORY OF LIABILITY, WHETHER IN CONTRACT, STRICT LIABILITY, OR TORT (INCLUDING NEGLIGENCE OR OTHERWISE) ARISING IN ANY WAY OUT OF THE USE OF THIS SOFTWARE, EVEN IF ADVISED OF THE POSSIBILITY OF SUCH DAMAGE.

(c) Copyright 1999-2013 Microchip Technology, All rights reserved

## **Intended use**

The OLP40 is an optical spindle probe that enables automated workpiece inspection and job set-up on multi-tasking machines and machining centres.

# Safety

## Information to the user

This product is supplied with non-rechargeable lithium metal batteries. Refer to the battery manufacturer's literature for specific battery operating, safety and disposal guidelines.

- Do not attempt to recharge the batteries.
- Replace the batteries only with the specified type.
- Do not mix new and used batteries in the product.
- Do not mix different types or brands of batteries in the product.
- Ensure that all batteries are inserted with the correct polarity in accordance with the instructions in this manual and indicated on the product.
- Do not store the batteries in direct sunlight.
- Do not expose the batteries to water.
- Do not expose the batteries to heat or dispose of the batteries in a fire.
- Avoid forced discharge of the batteries.
- Do not short circuit the batteries.
- Do not disassemble, apply excessive pressure, pierce, deform or subject the batteries to impact
- Do not swallow the batteries
- Keep the batteries out of the reach of children.
- If the batteries are swollen or damaged do not use them in the product and exercise caution when handling them.
- Dispose of waste batteries in accordance with your local environmental and safety laws.

Ensure that you comply with international and national battery transport regulations when transporting the batteries or this product with the batteries inserted. Lithium metal batteries are classified as dangerous goods for transportation and require labelling and packaging in accordance with the dangerous goods regulations before being offered for transportation. To reduce the risk of shipment delays, should you need to return this product to Renishaw for any reason, do not return any batteries.

In all applications involving the use of machine tools, eye protection is recommended.

The OLP40 has a glass window. Handle with care if broken to avoid injury.

## Information to the machine supplier/installer

It is the machine supplier's responsibility to ensure that the user is made aware of any hazards involved in operation, including those mentioned in Renishaw product literature, and to ensure that adequate guards and safety interlocks are provided.

If the probe system fails, the probe signal may falsely indicate a probe seated condition. Do not rely on probe signals to halt the movement of the machine.

## Information to the equipment installer

All Renishaw equipment is designed to comply with the relevant UK, EU and FCC regulatory requirements. It is the responsibility of the equipment installer to ensure that the following guidelines are adhered to, in order for the product to function in accordance with these regulations:

- Any interface **MUST** be installed in a position away from any potential sources of electrical noise, (for example power transformers, servo drives).
- All 0 V/ground connections should be connected to the machine "star point" (the "star point" is a single point return for all equipment ground and screen cables). This is very important and failure to adhere to this can cause a potential difference between grounds.
- All screens must be connected as outlined in the user instructions.
- Cables must not be routed alongside high current sources (for example, motor power supply cables), or be near high-speed data lines.
- Cable lengths should always be kept to a minimum.

## Equipment operation

If this equipment is used in a manner not specified by the manufacturer, the protection provided by the equipment may be impaired.

## Optical safety

This product contains LEDs that emit both visible and invisible light.

OLP40 is ranked Risk Group: Exempt (safe by design).

The product was evaluated and classified using the following standard:

BS EN 62471:2008      The photobiological safety of lamps and lamp systems.

Renishaw recommends that you do not stare at or look directly into any LED device, irrespective of its risk classification.

This page is intentionally left blank.

# OLP40 basics

## Introduction

The OLP40 is an optical lathe tool probe suitable for use on small to medium machining and small multi-tasking centres. It is designed to resist optical interference, false triggering and shock. It is supplied with an enhanced window and metal battery cassette.

The OLP40 can be operated in either 'Modulated' or 'Legacy' optical transmission modes (for more information, see **page 4-2**, "Reviewing the probe settings").

When operating in 'Modulated' mode, the OLP40-2 becomes compatible for use with OMI-2, OMI-2T, OMI-2H, OMI-2C interfaces, or OMM-2 / OMM-2C receiver with OSI / OSI-D interface to provide substantially increased resistance to light interference.

In 'Modulated' mode, it is possible to define the probe ID. This is factory set to PROBE 1, but can be changed to PROBE 2 for use with twin probes or PROBE 3 for use with multiple probe systems.

In 'Legacy' mode, the OLP40 is compatible for use with an OMI interface or OMM receiver with MI 12 interface.

All OLP40 settings can be configured using Opti-Logic™ or Trigger Logic™.

Configurable settings are:

- Switch-off method
- Enhanced trigger filter setting
- Optical transmission method
- Optical power

## Getting started

Three multicolour probe LEDs provide visual indication of selected probe settings.

For example:

- Switch-off method
- Probe status – triggered or seated
- Battery condition

For information about battery insertion or removal, see **page 3-7**, "Installing the batteries".

On insertion of the batteries, the LEDs will begin to flash (for more information, see **page 4-2**, "Reviewing the probe settings").

## System interface

The interface conveys and processes signals between the probe and CNC machine controller.

### **OMI-2, OMI-2T, OMI-2H, OMI-2C interface or OMM-2 / OMM-2C receiver with OSI / OSI-D interface (modulated transmission)**

The OMI-2T interface or OMM-2 receiver with OSI / OSI-D interfaces are the recommended interfaces for use with the OLP40 as they provide substantially increased resistance to light interference whilst providing the user greater flexibility to operate a multiple probe system.

### **OMI interface or OMM receiver with MI 12 interface (legacy transmission)**

Alternative interfaces are the OMI interface or OMM receiver with the MI 12 interface.

## Probe configuration

It is recommended that the Probe Setup app is used to configure the probe.

The Probe Setup app simplifies the process of configuring Renishaw machine tool probes compatible with Opti-Logic™ or Trigger Logic™.

The app provides clear, step-by-step, visual instructions and video tutorials to guide a user through the process of setting up and configuring a Renishaw machine tool probing system.

The Probe Setup app is available for download on the App Store and Google Play and also from several app stores in China.



or



## Opti-Logic™

Opti-Logic is the process of transmitting and receiving data from the app to a Renishaw machine tool probe using pulses of light; for more information, see **page 4-1**, "Configuring the probe using the Probe Setup app".

## Trigger Logic™

Trigger Logic (for more information, see **page 4-2**, “Reviewing the probe settings”) is a method that allows the user to view and select all available mode settings in order to customise a probe to suit a specific application. Trigger Logic is activated by battery insertion and uses a sequence of stylus deflections (triggering) to systematically lead the user through the available choices, observed via the LED display, to allow selection of the required mode options.

Current probe settings can also be reviewed by simply removing the batteries for a minimum of 5 seconds, and then replacing them to activate the Trigger Logic review sequence (for more information, see **page 4-2**, “Reviewing the probe settings”).

## Probe modes

The OLP40 probe can be set in one of three modes:

**Standby mode** – probe is waiting for a switch-on signal.

**Operational mode** – activated by switch-on, the probe is ready for use.

**Configuration mode** – where Trigger Logic or Opti-Logic™ may be used to configure the following probe settings.

---

**NOTE:** A visual indication of currently selected probe settings is provided on battery insertion, by the three multicolour LEDs located within the probe window (for more information, see **page 4-2**, “Reviewing the probe settings”).

---

# Configurable settings

## Switch-off methods

The following switch-off options are user-configurable.

1. Optical off
2. Timer off

OLP40 switch-on method	OLP40 switch-off method Switch-off options are configurable	Switch-on time
<b>Optical on</b> Optical switch-on is commanded by machine input.	<b>Optical off</b> Optical switch-off is commanded by machine input. A timer automatically switches the probe off 90 minutes after the last trigger if it is not switched off by machine input.	Legacy (start filter off): 0.3 seconds  Legacy (start filter on): 0.8 seconds  Modulated: 0.3 seconds
<b>Optical on</b> Optical switch-on is commanded by machine input or auto start.	<b>Timer off (timeout)</b> Timeout will occur 12, 33 or 134 seconds (user configurable) after the last probe trigger or reset.  <hr/> <b>NOTE:</b> Issuing a further M code during the timeout period will also reset the timer. <hr/>	

## Enhanced trigger filter

Probes subjected to high levels of vibration or shock loads may output signals without having contacted any surface. The enhanced trigger filter improves the probe's resistance to these effects.

When the filter is enabled, a constant nominal 10 ms delay is introduced to the probe output.

It may be necessary to reduce the probe approach speed to allow for the increased stylus overtravel during the extended time delay.

The enhanced trigger filter is factory set to OFF.

## Optical transmission method

Probes subjected to particular forms of light interference may accept spurious start signals.

The OLP40 can be operated in either 'Modulated' or 'Legacy' optical transmission mode.



## Modulated mode

When set to modulated mode, the probe will only function with OMI-2, OMI-2T, OMI-2H, OMI-2C interfaces, or OMM-2 / OMM-2C receiver with OSI / OSI-D interface to provide substantially increased resistance to light interference.

Modulated transmission in the OLP40, is capable of providing three different coded start signals. This allows the use of two probes with an OMI-2T interface and up to three probes when using an OMM-2 receiver with OSI / OSI-D interface.

## Twin / multiple probe system

To operate in a twin / multiple probe system, one probe must be set to PROBE 1 start and the other probe must be set to PROBE 2 start (OMI-2T or OMM-2 with OSI / OSI-D) or PROBE 3 start (OMM-2 with OSI / OSI-D only). These settings are user configurable.

In a twin probe system, such as a spindle probe and an optical tool setting probe, the spindle probe must be set to PROBE 1 start and the tool setter to PROBE 2 start.

In a multiple probe system, with two spindle probes and one optical tool setting probe, the two spindle probes must be set to PROBE 1 and PROBE 2 start, respectively, and the tool setter must be set to PROBE 3 start.

## Legacy mode

When set to legacy mode, the probe will only function with an OMI or OMM with MI 12.

A start filter improves the probe's resistance to light interference.

When 'Legacy' (start filter on) is enabled, an additional one second delay is introduced to the probe activation (switch on) time.

It may be necessary to revise the probe program software to allow for the increased activation time.

## Optical power

Where the separation between the OLP40 and the receiver is small, low optical power may be used. In this setting, the optical transmission range will be reduced, as shown on the performance envelopes, so that battery life will be extended.

Ultra low power is recommended for any machine using the OMM-2C receiver or for use in small machining centers where the maximum separation distance between probe to receiver is less than 1.5 m (4.9 ft), for further increased battery life.

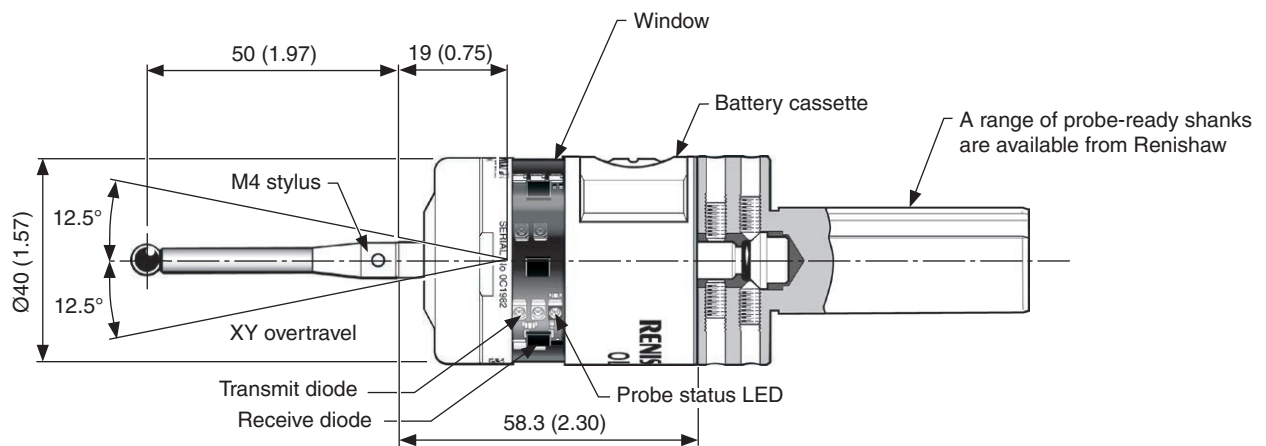
Low or ultra low optical power should be used whenever possible for increased battery life.

Dotted lines on the performance envelopes represent the OLP40 in switch-on / switch-off range.

Maximum battery life is achieved when lithium-thionyl chloride (LTC) batteries are used in conjunction with ultra low power mode.

The probe is factory set to standard optical power.

## OLP40 dimensions



Dimensions given in mm (in)

Stylus overtravel limits		
Stylus length	$\pm X/\pm Y$	+Z
50 (1.97)	12 (0.47)	6 (0.24)
100 (3.94)	22 (0.87)	6 (0.24)

## OLP40 specification

<b>Principal application</b>	Workpiece inspection and job set-up on all sizes of lathes and small multi-tasking machines	
<b>Dimensions</b>	Length	58.3 mm (2.30 in)
	Diameter (maximum)	40 mm (1.57 in)
<b>Weight (without shank)</b>	With batteries	277 g (9.77 oz)
	Without batteries	258 g (9.10 oz)
<b>Transmission type</b>	360° infrared optical transmission (modulated or legacy)	
<b>Switch-on method</b>	Optical on	
<b>Switch-off methods</b>	Optical off or Timer off	
<b>Spindle speed (maximum)</b>	1000 r/min	
<b>Operating range</b>	Up to 5 m (16.4 ft)	
<b>Compatible receiver / interface</b>	<b>Modulated</b> OMI-2, OMI-2T, OMI-2H, OMI-2C or OMM-2 / OMM-2C with OSI / OSI-D	<b>Legacy</b> OMI or OMM with MI 12
<b>Sense directions</b>	±X, ±Y, +Z	
<b>Unidirectional repeatability</b>	1.00 µm (40 µin) 2σ <sup>1</sup>	
<b>Stylus trigger force</b> <sup>2 3</sup>		
XY low force	0.60 N, 61 gf (2.15 ozf)	
XY high force	0.97 N, 99 gf (3.49 ozf)	
Z	6.23 N, 635 gf (22.41 ozf)	
Maximum setting:		
XY low force	0.83 N, 85 gf (2.99 ozf)	
XY high force	1.60 N, 163 gf (5.76 ozf)	
Z	10.00 N, 1020 gf (35.97 ozf)	
Minimum setting:		
XY low force	0.30 N, 31 gf (1.08 ozf)	
XY high force	0.60 N, 61 gf (2.16 ozf)	
Z	4.00 N, 408 gf (14.39 ozf)	
<b>Stylus overtravel</b>	XY plane	±12.5°
	+Z plane	6 mm (0.24 in)

<sup>1</sup> Performance specification is tested at a standard test velocity of 480 mm/min (18.9 in/min) with a 50 mm stylus. Significantly higher velocity is possible depending on application requirements.

<sup>2</sup> Trigger force, which is critical in some applications, is the force exerted on the component by the stylus when the probe triggers. The maximum force applied will occur after the trigger point (overtravel). The force value depends on related variables, including measuring speed and machine deceleration.

<sup>3</sup> These are the factory settings; manual adjustment is not possible.

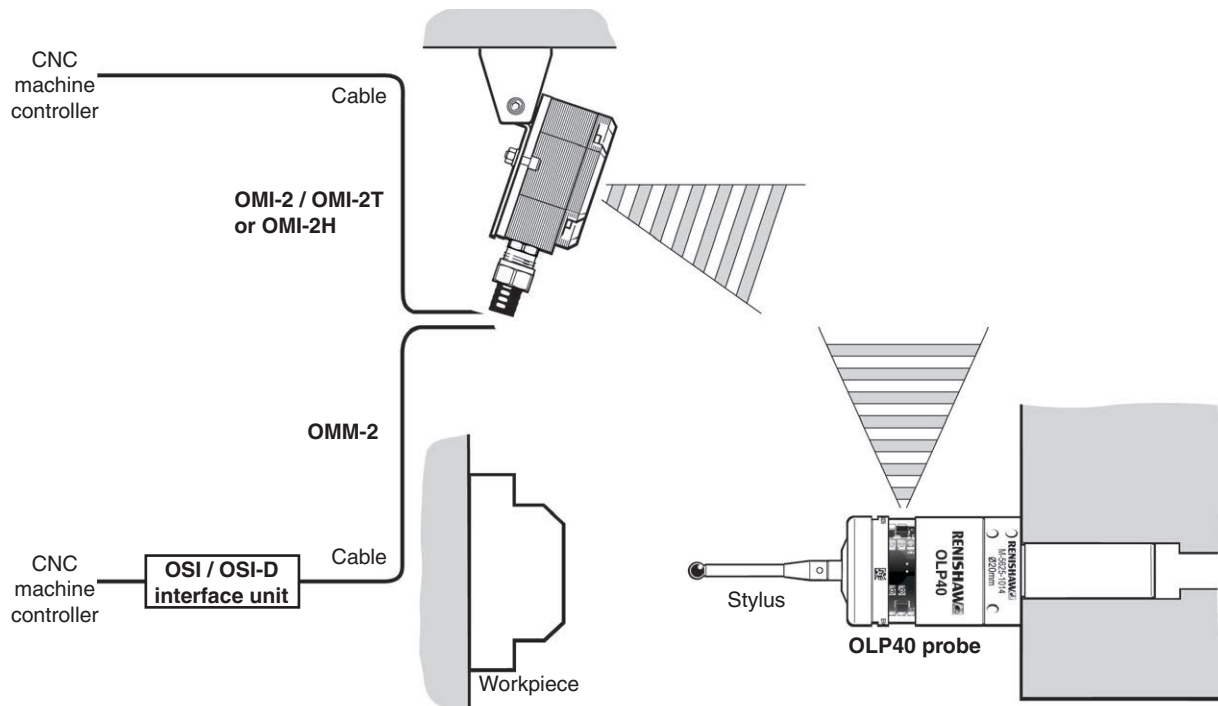
<b>Environment</b>	IP rating	IPX8, BS EN 60529:1992+A2:2013
	IK rating	IK02 BS EN 62262:2002+A1:2021
	Storage temperature	-25 °C to +70 °C (-13 °F to +158 °F)
	Operating temperature	+5 °C to +55 °C (+41 °F to +131 °F)
<b>Battery types</b>	2 × ½AA 3.6 V lithium-thionyl chloride (LTC)	
<b>Battery reserve life</b>	Approximately one week after a low battery warning is first given (based on 5% usage)	
<b>Typical battery life</b>	See the table on <b>page 2-8</b>	

## Typical battery life

Modulated transmission			
2 × ½AA 3.6 V LTC batteries (typical)	Standard power	Low power	Ultra low power
Standby life	1500 days	1500 days	1500 days
Light usage 1%	810 days	1000 days	1200 days
Heavy usage 5%	270 days	480 days	600 days
Continuous use	480 hours	960 hours	1350 hours

# System installation

## Installing the OLP40 with OMI-2, OMI-2T, OMI-2H interface, or OMM-2 receiver with OSI / OSI-D interface



## Operating envelope

When used with OMI-2, OMI-2T, OMI-2H interface, or OMM-2 receiver with OSI / OSI-D interface, the OLP40 uses modulated transmission.

Natural reflective surfaces within the machine may increase the signal transmission range.

Coolant and swarf residue accumulating on the probe or receiver / interface windows will have a detrimental effect on transmission performance. Wipe clean as often as necessary to maintain unrestricted transmission.

---

**WARNING:** Ensure the machine tool is in a safe condition and power is removed before removing covers. Only qualified persons should adjust switches.

---



---

**CAUTION:** If two or more systems are operating in close proximity to each other, take care to ensure that signals transmitted from the OLP40 on one machine are not received by the receiver on the other machine, and vice versa. When this is the case it is recommended that the OLP40 low or ultra low optical power is used and that the low range setting is used on the receiver.

---

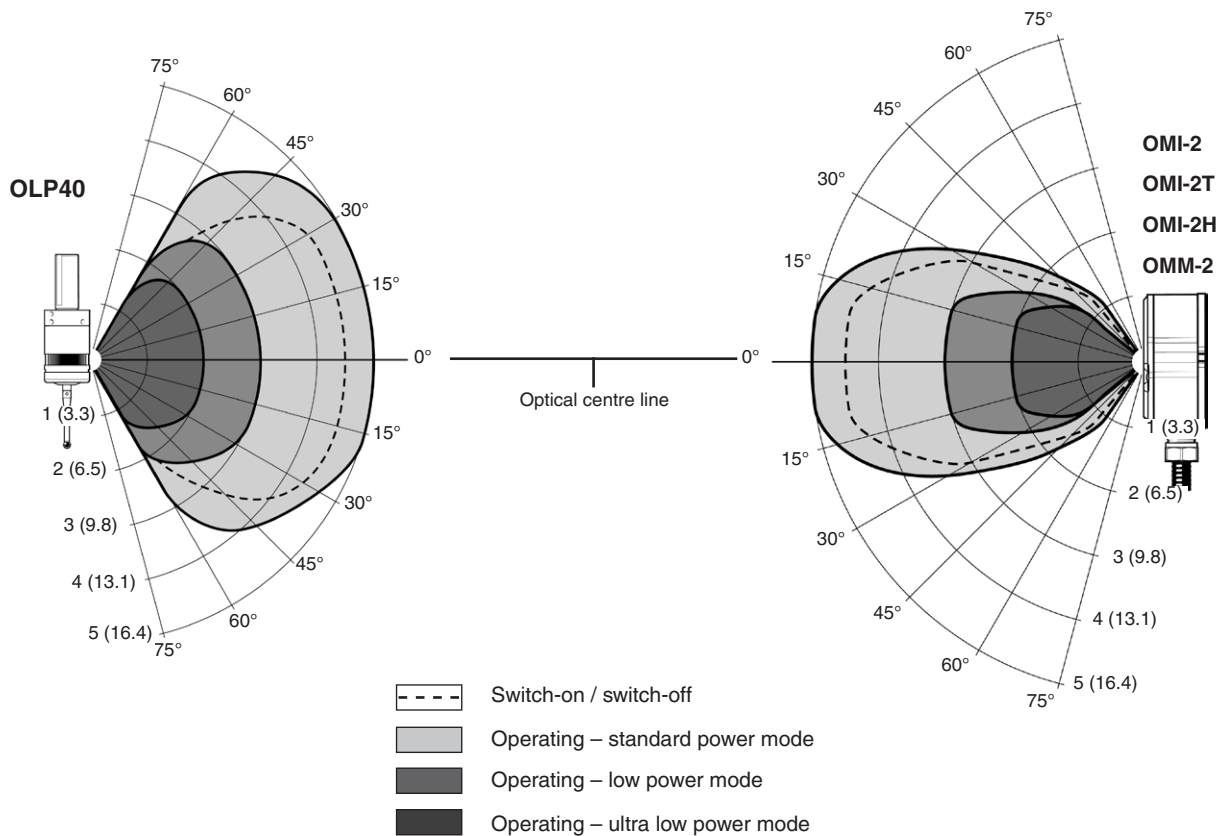
## Positioning the OMI-2, OMI-2T, OMI-2H interface, or OMM-2 receiver

**WARNING:** Ensure the machine tool is in a safe condition and power is removed before removing covers. Only qualified persons should adjust switches.

To assist in finding the optimum position for the OMI-2, OMI-2T, OMI-2H interface or the OMM-2 receiver, signal condition is indicated on a multicoloured LED.

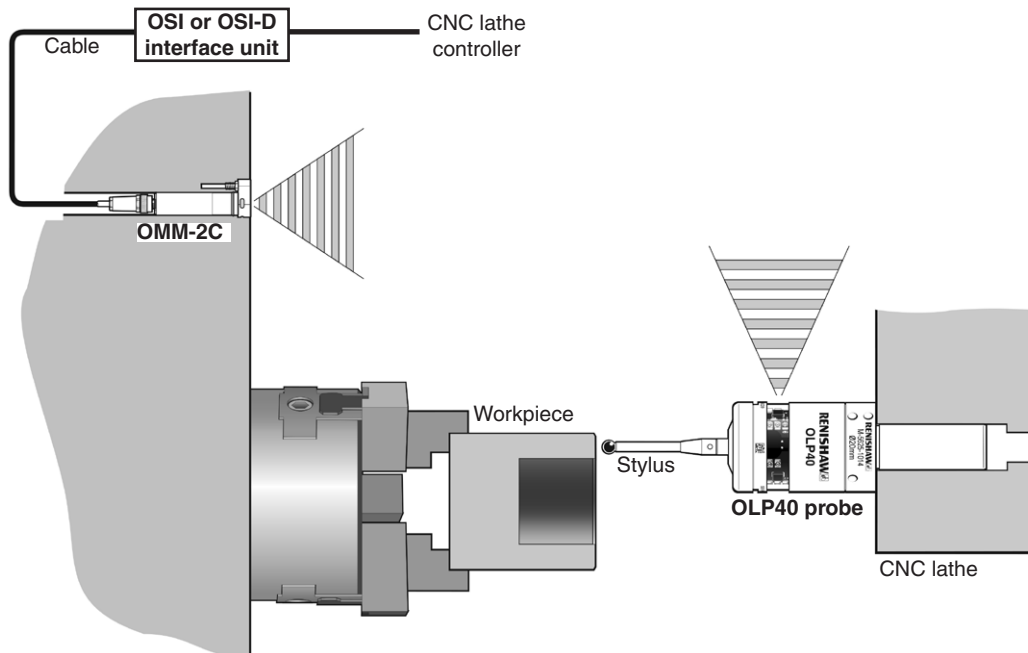
### Performance envelope when using the OLP40 with OMI-2, OMI-2T, OMI-2H interface, or OMM-2 receiver (modulated transmission)

The diodes of the OLP40 and the OMI-2, OMI-2T, OMI-2H interface or the OMM-2 receiver must be in each other's field of view and within the performance envelope shown. The OLP40-2 performance envelope is based on the optical centre line of the OMI-2, OMI-2T, OMI-2H, OMM-2 being at 0° and vice versa.



Typical plot at +20 °C (+68 °F) Transmission range in m (ft)

## Installing the OLP40 with a OMM-2C receiver with OSI / OSI-D interface



### Operating envelope

When used with a OMM-2C receiver with OSI / OSI-D interface, the OLP40 uses modulated transmission.

Natural reflective surfaces within the machine may increase the signal transmission range.

For best system performance, ensure that the OMM-2C receiver is mounted in a position which is not directly in front of a light source.

Coolant and swarf residue accumulating on the probe, interface or receiver windows will have a detrimental effect on transmission performance. Wipe clean as often as is necessary to maintain unrestricted transmission.

---

**WARNING:** Ensure the machine tool is in a safe condition and power is removed before removing covers. Only qualified persons should adjust switches.

---

---

**CAUTION:** If two systems are operating in close proximity to each other, take care to ensure that the signals transmitted from the OLP40 on one machine are not received by the receiver on the other machine, and vice versa. When this is the case, it is recommended that the OLP40 ultra low power setting is selected.

---

## Positioning the OMM-2C receiver

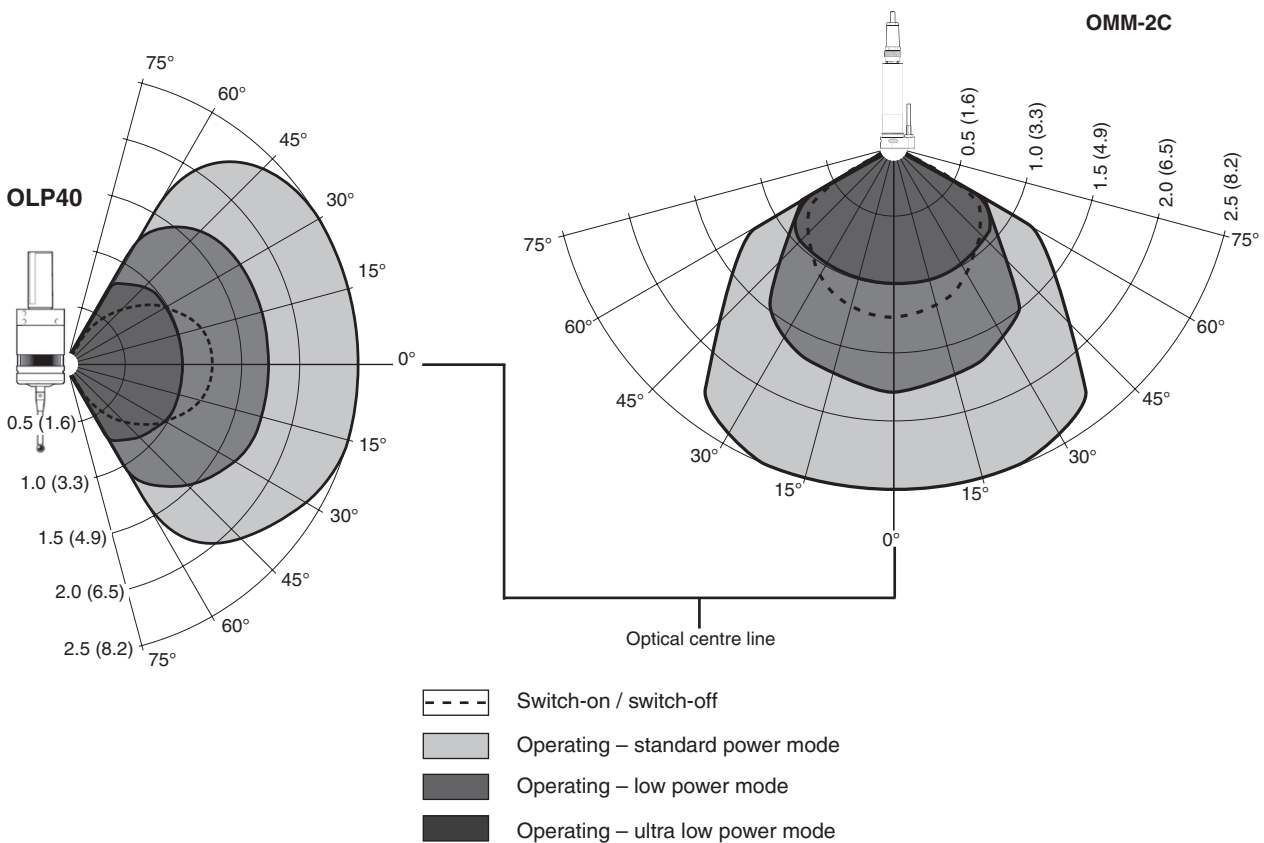
**WARNING:** Ensure the machine tool is in a safe condition and power is removed before removing covers. Only qualified persons should adjust switches.

The OMM-2C receiver should be mounted as near to the machine spindle as possible.

When mounting the OMM-2C receiver, it is important that the sealing ring forms a tight seal around the rim of the bore into which the body of the OMM-2C receiver is to be located.

## Performance envelope when using the OLP40 with a OMM-2C receiver

The diodes of the OLP40 and the OMM-2C receiver must be in each other's field of view and within the performance envelope shown. The OLP40 performance envelope is based on the optical centre line of the OMM-2C receiver being at 0° and vice versa.



Typical plot at +20 °C (+68 °F) Transmission range in m (ft)



## Preparing the OLP40 for use

### Fitting the stylus

1



2



M-5000-3707

## Stylus weak link

**NOTE:** Must be used with steel styli. For optimum metrology performance do not use a weak link with ceramic or carbon fibre styli.

### Fitting a stylus with a weak link onto the OLP40

In the event of excessive stylus overtravel, the weak link is designed to break, thereby protecting the probe from damage.

Take care to avoid stressing the weak link during assembly.



### Removing a broken weak link



## Installing the batteries

### CAUTIONS:

Remove the battery isolation device from the battery compartment before use.

\*Take care not to short the battery contacts as this may be a fire hazard. Ensure the contact strips are located securely.

### NOTES:

If dead batteries are inadvertently inserted, the LED will remain a constant red.

Do not allow coolant or debris to enter the battery compartment.

When inserting batteries, check that the battery polarity is correct.

After the batteries have been inserted, the LED will display the current probe settings (see **page 4-2**, “Reviewing the probe settings”, for further information).

For more information and a list of suitable battery types, see **page 5-2**, “Changing the batteries”.

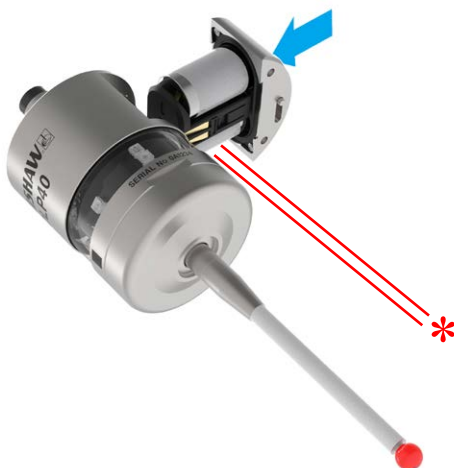
1



2



3

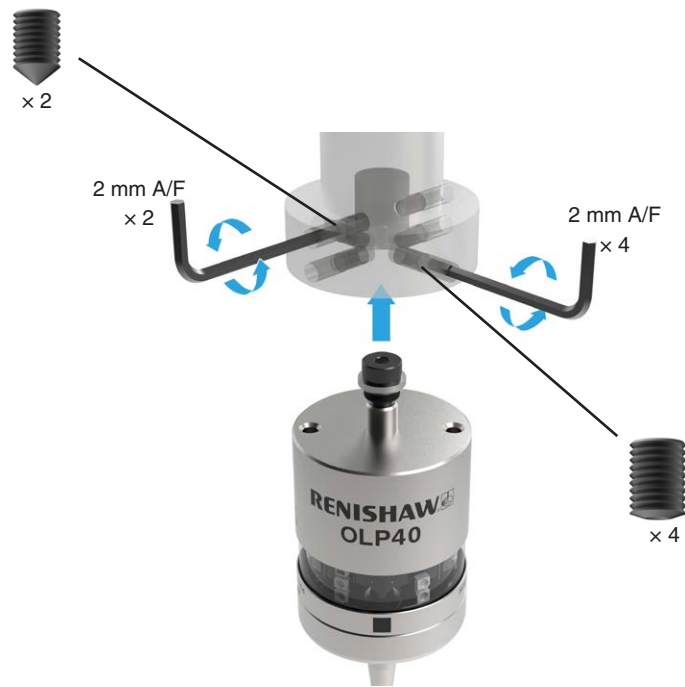


4



## Mounting the probe on a shank

1



2

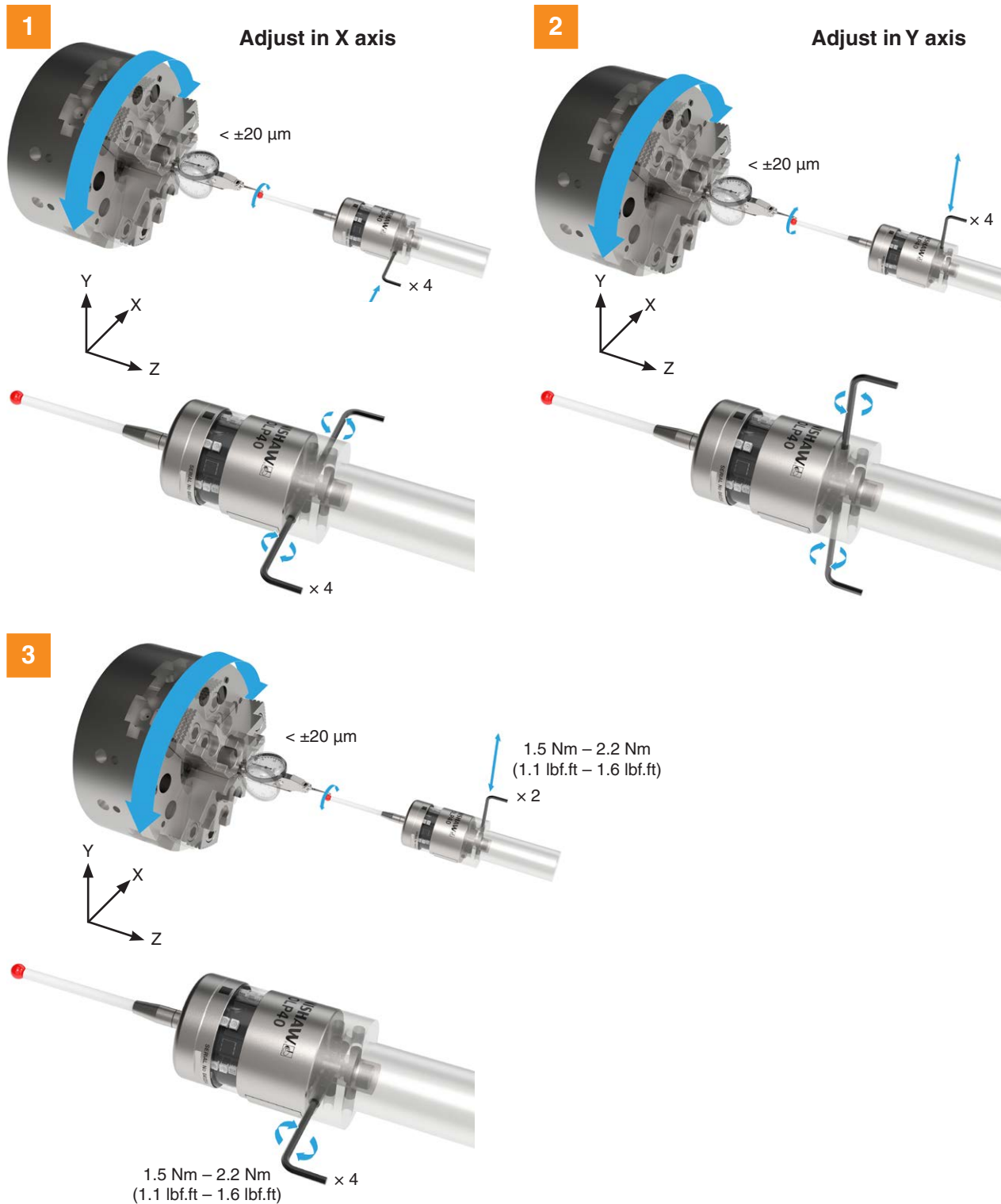


## Stylus on-centre adjustment

### NOTES:

If a probe and shank assembly is dropped, it must be rechecked for correct on-centre adjustment.

Do not hit or tap the probe to achieve on-centre adjustment.



## Stylus trigger force and adjustment

Spring force within the probe causes the stylus to sit in a unique position and return to this position following each stylus deflection.

Stylus trigger force is set by Renishaw. The user should only adjust trigger force in special circumstances, for example, where there is excessive machine vibration or insufficient force to support the stylus weight.

To adjust the trigger force, turn the adjusting screw anticlockwise (as shown) to reduce the force (more sensitive); eventually it reaches a stop. Turn the adjusting screw clockwise (as shown) to increase the force (less sensitive). If the internal screw becomes disengaged, remove any pressure on the stylus and turn the key anticlockwise to re-engage the thread.

Trigger forces in the XY plane vary around the stylus and depend on trigger direction.

Stylus trigger force adjustment and use of styli other than test stylus types may cause probe repeatability to differ from the calibration certificate results.

### Factory setting

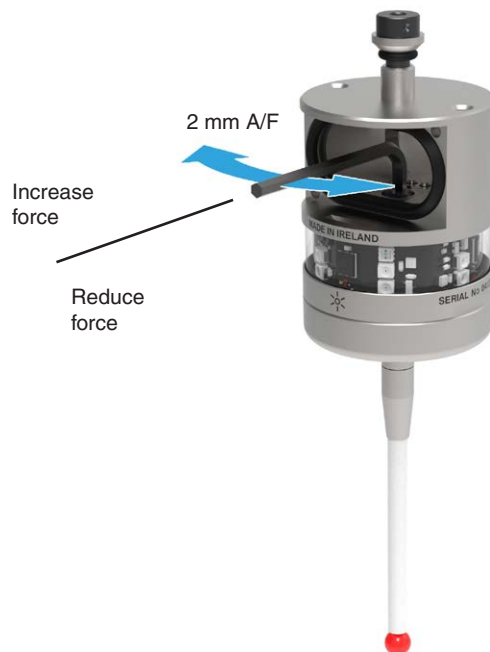
XY low force	0.60 N, 61 gf (2.15 ozf)
XY high force	0.97 N, 99 gf (3.49 ozf)
Z	6.23 N, 635 gf (22.41 ozf)

### Maximum setting

XY low force	0.83 N, 85 gf (2.99 ozf)
XY high force	1.60 N, 163 gf (5.76 ozf)
Z	10.00 N, 1020 gf (35.97 ozf)

### Minimum setting

XY low force	0.30 N, 31 gf (1.08 ozf)
XY high force	0.60 N, 61 gf (2.16 ozf)
Z	4.00 N, 408 gf (14.39 ozf)



## Calibrating the OLP40

### Why calibrate a probe?

An inspection probe is just one component of the measurement system which communicates with the machine tool. Each part of the system can introduce a constant difference between the position that the stylus touches and the position that is reported to the machine. If the probe is not calibrated, this difference will appear as an inaccuracy in the measurement. Calibration of the probe allows the probing software to compensate for this difference.

During normal use, the difference between the touch position and the reported position does not change, but it is important that the probe is calibrated in the following circumstances:

- when a probe system is to be used for the first time;
- when the enhanced trigger filter delay is changed;
- when a new stylus is fitted to the probe;
- when it is suspected that the stylus has become distorted or that the probe has been crashed;
- at regular intervals to compensate for mechanical changes of your machine tool;
- if repeatability of relocation of the probe shank is poor. In this case, the probe may need to be recalibrated each time it is selected.

It is good practice to set the tip of the stylus on-centre, because this reduces the effect of any variation in spindle and tool orientation (see **page 3-9**, “Stylus on-centre adjustment”, for further information). A small amount of run-out is acceptable, and can be compensated for as part of the normal calibration process.

Three different operations are to be used when calibrating a probe. They are:

- calibrating either in a bored hole or on a turned diameter of known position;
- calibrating either in a ring gauge or on a datum sphere;
- calibrating the probe length.

### Calibrating in a bored hole or on a turned diameter

Calibrating a probe, either in a bored hole or on a turned diameter of known size, automatically stores values for the offset of the stylus ball to the spindle centre line. The stored values are then used automatically in the measuring cycles. Measured values are compensated by these values so that they are relative to the true spindle centre line.

## Calibrating in a ring gauge or on a datum sphere

Calibrating a probe either in a ring gauge or on a datum sphere with a known diameter automatically stores one or more value for the radius of the stylus ball. The stored values are then used automatically by the measuring cycles to give the true size of the feature. The values are also used to give true positions of single surface features.

---

**NOTE:** The stored radius values are based on the true electronic trigger points. These values are different from the physical sizes.

---

## Calibrating the probe length

Calibrating a probe on a known reference surface determines the length of the probe, based on the electronic trigger point. The stored value for length is different from the physical length of the probe assembly. Additionally, the operation can automatically compensate for machine and fixture height errors by adjusting the probe length value that is stored.



# Probe configuration

## Configuring the probe using the Probe Setup app

The Probe Setup app simplifies the process of configuring Renishaw machine tool probes compatible with Opti-Logic™ or Trigger Logic™.

The app provides clear, step-by-step, visual instructions and video tutorials to guide a user through the process of setting up and configuring a Renishaw machine tool probing system.

## Using Opti-Logic™

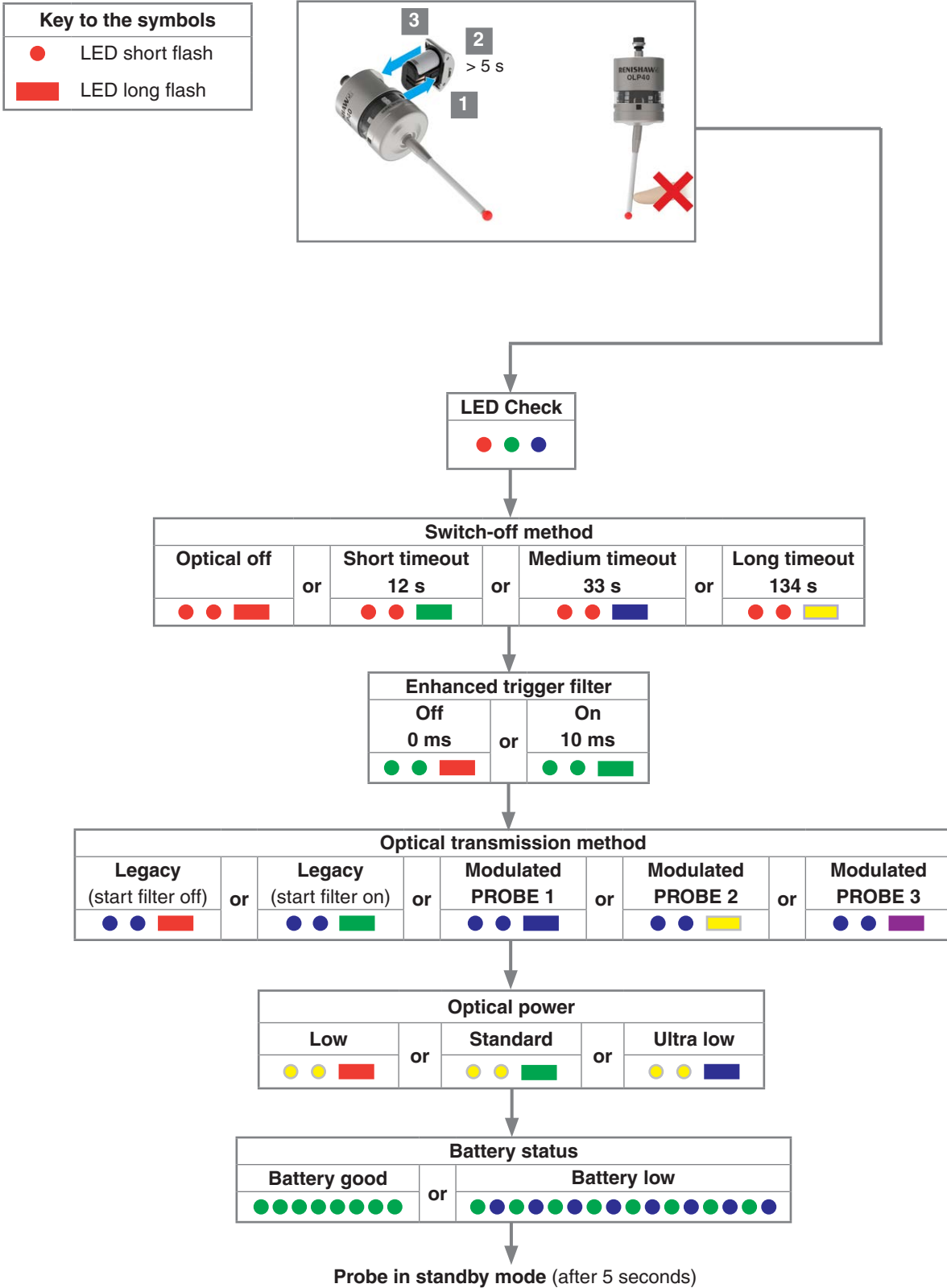
Opti-Logic is the process of transmitting and receiving data from the app to a Renishaw machine tool probe using pulses of light. The app will ask for the probe version to be entered. The probe version is displayed at the back of the battery compartment which is visible when the battery cassette is removed.

The Probe Setup app is available for download on the App Store and Google Play and several app stores in China.



# Using Trigger Logic™

## Reviewing the probe settings



## Probe settings record

This page is provided to note your probe's settings.

			✓ tick	
			Factory settings	New settings
<b>Switch-on method</b>	Optical Switch-on		✓	
<b>Switch-off method</b>	Optical off		✓	
	Short timeout (12 s)			
	Medium timeout (33 s)			
	Long timeout (134 s)			
<b>Enhanced trigger filter</b>	Off (0 ms)		✓	
	On (10 ms)			
<b>Optical transmission method</b>	Legacy (start filter off)			
	Legacy (start filter on)			
	Modulated PROBE 1		✓	
	Modulated PROBE 2			
	Modulated PROBE 3			
<b>Optical power</b>	Low			
	Standard		✓	
	Ultra low			

Factory settings are for kit A-5625-2001 only.

OLP40 serial no .....

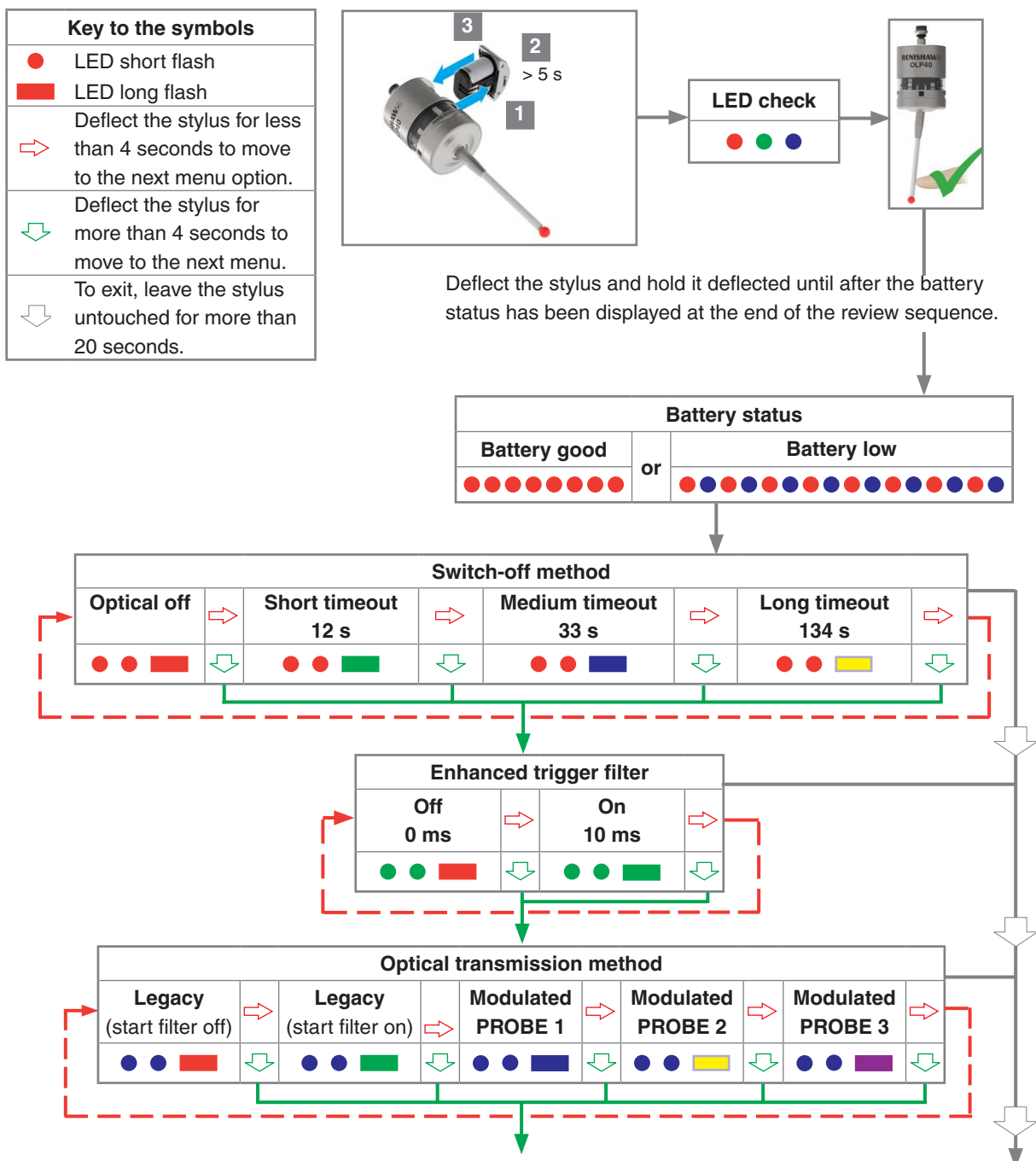
## Changing the probe settings

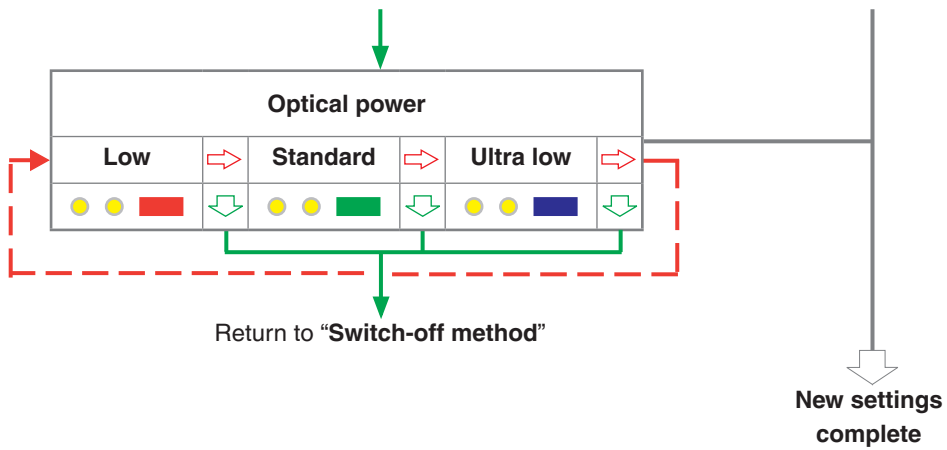
Insert the batteries or, if they have already been installed, remove them for five seconds and then refit them.

Following the LED check, immediately deflect the stylus and hold it deflected until eight red flashes have been observed (if the battery power is low, each red flash will be followed by a blue flash).

Keep the stylus deflected until the “**Switch-off method**” setting is displayed, then release it.

**CAUTION:** Do not remove the batteries whilst in configuration mode. To exit, leave the stylus untouched for more than 20 seconds.





## Master reset function

OLP40 features a master reset function to assist users who have mistakenly changed the probe settings into an unintended state.

The application of the master reset function will clear all current probe settings and return the probe to default settings.

The default settings are as follows:

- Optical switch-on
- Optical switch-off
- Enhanced trigger filter off
- Modulated PROBE 1
- Standard optical power

The default settings may not be representative of the required probe settings. Further configuration of OLP40 may subsequently be necessary to achieve the required probe settings.

### To reset the probe

1. Insert the batteries or, if they have already been installed, remove them for 5 seconds and then refit them.

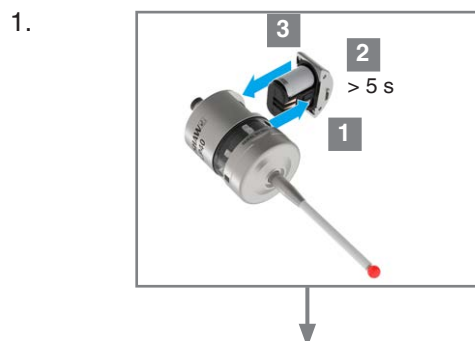
Following the LED check, immediately deflect the stylus and hold it deflected until eight red flashes have been observed (if the battery power is low, each red flash will be followed by a blue flash).

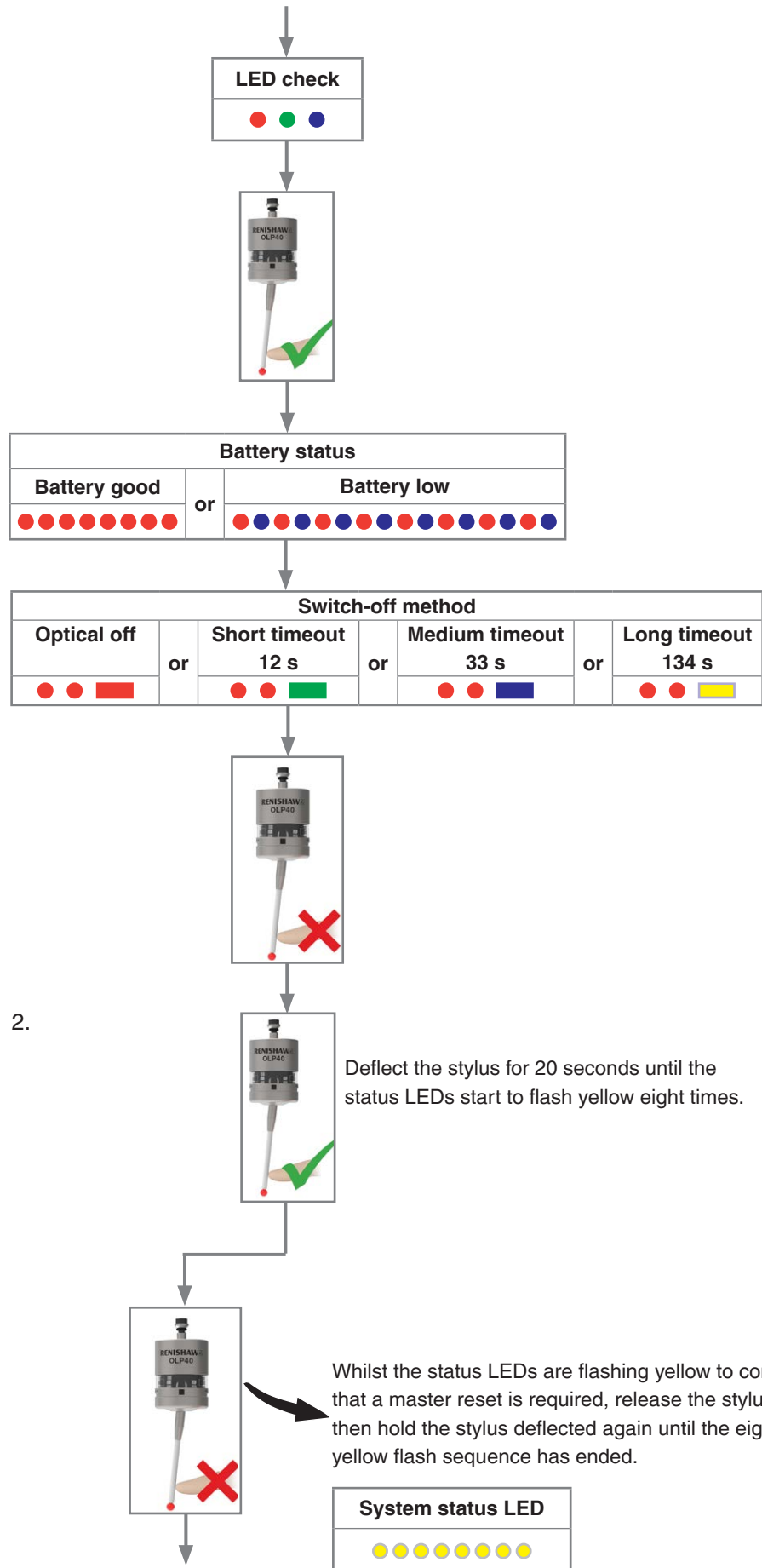
Keep the stylus deflected until the “**Switch-off method**” setting is displayed, then release it.

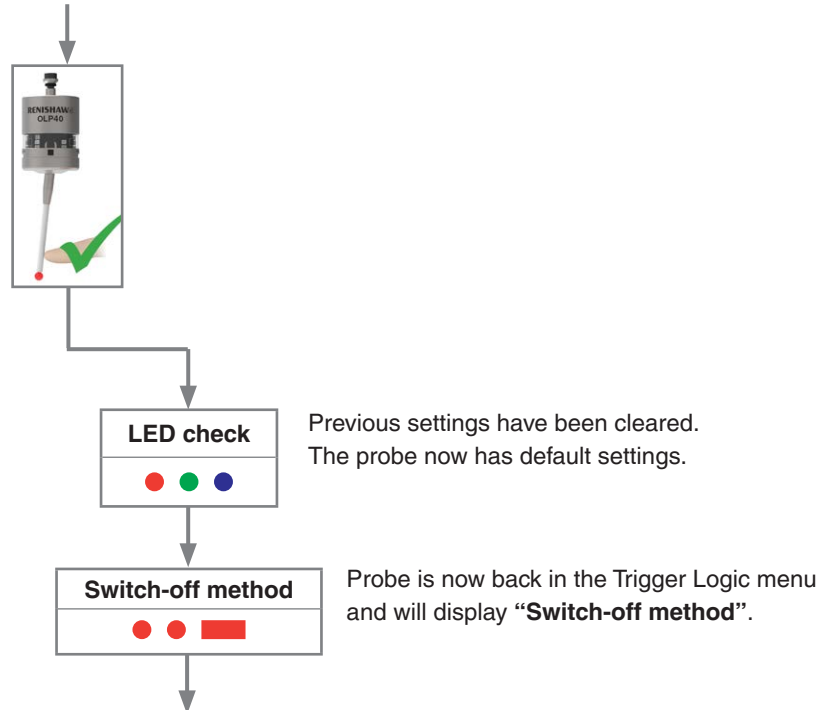
2. Hold the stylus deflected for 20 seconds. After this the status LEDs will proceed to flash yellow eight times. A confirmation for master reset is required, if nothing is done the probe will timeout.

To confirm that a master reset is required, release the stylus and then hold the stylus deflected again until the eight yellow flash sequence has ended. This action will clear all probe settings and return the probe to default settings. Following an LED check the OLP40 will then go back into Trigger Logic and will display “**Switch-off method**”.

3. Further configuration using Trigger Logic may be necessary to achieve the required probe settings.



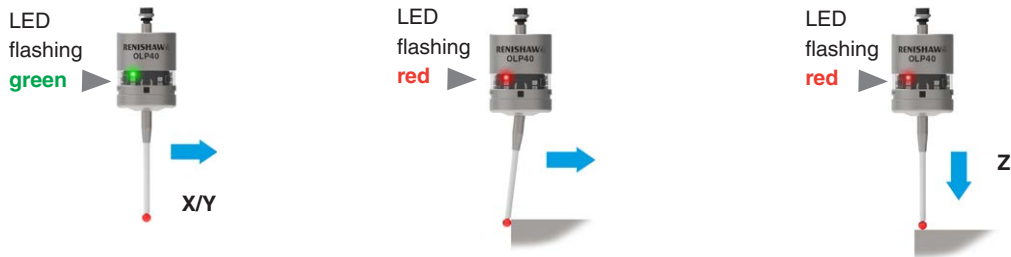




3. Configure probe settings as required using Trigger Logic.



## Operating mode



### Probe status LED

LED colour	Probe status	Graphic hint
Flashing green	Probe seated in operating mode	● ● ●
Flashing red	Probe triggered in operating mode	● ● ●
Flashing green and blue	Probe seated in operating mode – low battery	● ● ● ● ● ●
Flashing red and blue	Probe triggered in operating mode – low battery	● ● ● ● ● ●
Constant red	Battery dead	■
Flashing red or Flashing red and green or Sequence when batteries are inserted	Unsuitable battery	● ● ● ● ● ● ● ● ● ● ● ● ● ● ● ● ● ●

**NOTE:** Due to the nature of lithium-thionyl chloride batteries, if a “low battery” LED warning is ignored, it is possible for the following sequence of events to occur:

1. When the probe is active, the batteries discharge until battery power becomes too low for the probe to operate correctly.
2. The probe stops functioning, then reactivates as the batteries recover sufficiently to provide the probe with power.
3. The probe begins to run through the LED review sequence (see **page 4-2**, “Reviewing the probe settings”, for further information).
4. Again, the batteries discharge and the probe ceases to function.
5. Again, the batteries recover sufficiently to provide the probe with power, and the sequence repeats itself.

This page is intentionally left blank.

# Maintenance

## Maintenance

You may undertake the maintenance routines described in these instructions.

Further dismantling and repair of Renishaw equipment is a highly specialised operation, which must be carried out at an authorised Renishaw Service Centre.

Equipment requiring repair, overhaul or attention under warranty should be returned to your supplier.

## Cleaning the probe

Wipe the window of the probe with a clean cloth to remove machining residue. This should be done on a regular basis to maintain optimum transmission.

---

**CAUTION:** The OLP40 has a glass window. Handle with care if broken to avoid injury.

---



# Changing the batteries

---

## CAUTIONS:

Do not leave dead batteries in the probe.

When changing batteries, do not allow coolant or debris to enter the battery compartment.

When changing batteries, check that the battery polarity is correct.

Take care to avoid damaging the battery cassette gasket.

Only use specified batteries.

Dispose of dead batteries in accordance with local regulations. Never dispose of batteries in a fire.

---



**NOTES:**

After removing the old batteries, wait more than 5 seconds before inserting the new batteries.

Do not mix new and used batteries or battery types, as this will result in reduced life and damage to the batteries.

Always ensure that the cassette gasket and mating surfaces are clean and free from dirt before reassembly.

If dead batteries are inadvertently inserted, the LED will remain a constant red.

Battery type					
½ AA lithium-thionyl chloride (3.6 V) × 2					
✓	<b>Saft:</b> <b>Tadiran:</b> <b>Xeno:</b>	LS 14250 SL-750 XL-050F	✗	<b>Dubilier:</b> <b>Maxell:</b> <b>Sanyo:</b> <b>Tadiran:</b> <b>Varta:</b>	SB-AA02 ER3S CR 14250SE SL-350, SL-550, TL-4902, TL-5902, TL-2150, TL-5101 CR ½AA

**NOTE:** Lithium-thionyl chloride batteries are available from other manufacturers. However, these are untested by Renishaw so correct operation of the probe cannot be guaranteed.



## OLP40 eyelid

The OLP40 is fitted with a metal eyelid that protects the internal components of the probe from hot chip and coolant environment. Dirt may accumulate in the cavity underneath the metal eyelid seal.

To remove this dirt, once a month, remove the front cap (using a flat blade screwdriver or a coin) and then remove all of the residue with a low-pressure jet of coolant.

---

**CAUTION:** Do not use a sharp tool or a degreasing agent.

---

The cleaning interval may be extended or reduced, depending on the rate at which dirt accumulates. If the inner diaphragm is damaged, return the probe to your supplier for repair.

## Reassembling the probe

---

**CAUTION:** Do not use the probe with the cap removed. Check that the probe is firmly secured in its mounting.

---

1



Apply a coin or a flat blade screwdriver to both sides to sequentially lever the front cap from the probe body.

2



3



4



# Fault-finding

Symptom	Cause	Action
<b>The probe fails to power up (LED not illuminated or fails to indicate current probe settings).</b>	Dead batteries.	Change batteries.
	Unsuitable batteries.	Fit suitable batteries.
	Batteries inserted incorrectly.	Check battery insertion/polarity.
	Batteries removed for too short a time and probe has not reset.	Remove batteries for a minimum of 5 seconds.
	Poor connection between battery cassette mating surfaces and contacts.	Remove any dirt and clean the contacts before reassembly.
<b>The probe fails to switch on.</b>	Wrong transmission mode selected.	Reconfigure transmission mode.
	Dead batteries.	Change batteries.
	Unsuitable batteries.	Fit suitable batteries.
	Batteries inserted incorrectly.	Check battery insertion/polarity.
	Optical/magnetic interference.	Check for interfering lights or motors. Consider removing interfering source.
	Transmission beam obstructed.	Check that the OLP40 and receiver windows are clean and remove any obstruction.
	No receiver start signal.	Check start signal by reviewing receiver start LED. Refer to relevant installation guide.
<b>The machine stops unexpectedly during a probing cycle.</b>	Probe out of range/not aligned with receiver.	Check alignment and if receiver fixing is secure.
	Optical communication obstructed.	Check interface / receiver and remove obstruction.
	Interface / receiver / machine fault.	Refer to receiver / machine installation guide.
	Dead batteries.	Change batteries.
	False probe trigger.	Enable enhanced trigger filter.
	Probe unable to find target surface.	Check that part is correctly positioned and that stylus has not broken.
<b>The probe crashes.</b>	Adjacent probe.	Reconfigure adjacent probe to a lower power mode and reduce range of receiver.
	Workpiece obstructing probe path.	Review probing software.
	Probe length offset missing.	Review probing software.
	Controller wired to respond to tool setter instead of inspection probe.	Review installation wiring.

Symptom	Cause	Action
<b>Poor probe repeatability and/or accuracy.</b>	Debris on part or stylus.	Clean part and stylus.
	Poor tool change repeatability.	Redatum probe after each tool change.
	Loose probe mounting on shank or loose stylus.	Check and tighten as appropriate.
	Excessive machine vibration.	Enable enhanced trigger filter. Eliminate vibrations.
	Calibration out of date and/or incorrect offsets.	Review probing software.
	Calibration and probing speeds not the same.	Review probing software and make speeds the same.
	Calibration feature has moved.	Correct the position.
	Measurement occurs as stylus leaves surface.	Review probing software.
	Measurement occurs within the machine's acceleration and deceleration zone.	Review probing software and probe filter settings.
	Probing speed too high or too low.	Perform simple repeatability trials at various speeds.
	Temperature variation causes machine and workpiece movement.	Minimise temperature changes.
Machine tool faulty.	Perform health checks on machine tool.	
<b>Probe fails to switch off.</b>	Incorrect "switch-off" method configured.	Reconfigure to optical off mode.
	Optical/magnetic interference.	Check for interfering lights or motors. Consider removing the interfering source.
	Probe is inadvertently switched on by the receiver when using autostart.	Check position of receiver. Reduce receiver signal strength.
	Probe out of range.	Review performance envelopes.
	Probe is regularly falsely switched on by light interference.	Enable optical transmission legacy mode (start filter on), or consider upgrading to modulated system.
	Transmission beam obstructed.	Check that the probe and receiver windows are clean, and remove any obstruction.



Symptom	Cause	Action
<b>Probe fails to switch off (where timer off is required).</b>	Incorrect switch-off method configured.	Check configuration and alter as required.
	Probe placed in carousel when in timeout mode. Timer can be reset by carousel activity.	Consider using a carbon fibre stylus. Enable enhanced trigger filter. Shorten timeout setting. Consider use of optical on/optical off setting.
<b>Probe false triggers.</b>	Excessive machine vibration or heavy stylus.	Enable enhanced trigger filter.

This page is intentionally left blank.

# Parts list

Type	Part number	Description
OLP40	A-5625-2001	OLP40 probe with batteries, tools and support card (set to optical on / optical off) – modulated transmission, PROBE 1 start.
OLP40	A-5625-2002	OLP40 probe with batteries, tools and support card (set to optical on / time off 134 sec) – modulated transmission, PROBE 1 start.
Batteries	P-BT03-0007	½AA battery – lithium-thionyl chloride (pack of two).
Stylus	A-5000-3709	PS3-1C ceramic stylus 50 mm long with Ø6 mm ball.
Styli tool	M-5000-3707	Tool for tightening / releasing styli.
Tools	A-4071-0060	Probe tool kit comprising Ø1.98 mm stylus tool, 2.00 mm A/F hexagon key and shank grub screw (× 6).
Battery cassette	A-5625-1166	OLP40 metal battery cassette assembly.
Seal	A-4038-0301	Seal for OLP40 battery cassette assembly.
OMI-2	A-5191-0049	OMI-2 complete with cable 8 m (26.25 ft) long.
OMI-2	A-5191-0050	OMI-2 complete with cable 15 m (49 ft) long.
OMI-2T	A-5439-0049	OMI-2T complete with cable 8 m (26.25 ft) long.
OMI-2T	A-5439-0050	OMI-2T complete with cable 15 m (49 ft) long.
OMM-2	A-5492-0049	OMM-2 with cable 8 m (26.25 ft), tool kit and support card.
OMM-2	A-5492-0050	OMM-2 with cable 15 m (49 ft) tool kit and support card.
OMM-2C	A-5991-0001	OMM-2C (standard non-integrated airblast) with 7-way socket and product support card.
OMM-2C	A-5991-0005	OMM-2C (integrated airblast) with 7-way socket and product support card.
OSI interface	A-5492-2000	OSI (multiple probe mode) with DIN rail mounting, terminal block and support card.
OSI interface	A-5492-2010	OSI (single probe mode) with DIN rail mounting, terminal block and support card.
OSI-D interface	A-5492-3000	OSI-D (multiple probe mode) with DIN rail mounting, terminal block and support card.
OSI-D interface	A-5492-3010	OSI-D (single probe mode) with DIN rail mounting, terminal block and support card.
Eyelid service	A-5625-0005	OLP40 eyelid service kit.
Weak link	A-2085-0068	Weak link (part no. M-2085-0009 × 2) and 5 mm A/F spanner.
Mounting bracket	A-2033-0830	Mounting bracket with fixing screws, washers and nuts.
Shank	A-5625-1003	Parallel shank kit Ø25 mm.
Shank	A-5625-1007	Parallel shank kit Ø1 in.
<b>Publications.</b> These can be downloaded from our website at <a href="http://www.renishaw.com">www.renishaw.com</a>		
OMI-2	H-5191-8504	Installation guide: for set-up of the OMI-2.
OMI-2T	H-5439-8510	Installation guide: for set-up of the OMI-2T.
OSI/OSI-D with OMM-2	H-5492-8504	Installation guide: for set-up of the OSI/OSI-D interface with OMM-2.
OSI/OSI-D with OMM-2C	H-5991-8504	Installation guide: for set-up of the OSI/OSI-D interface with OMM-2C.

Type	Part number	Description
Styli	H-1000-3200	Technical specifications: <i>Styli and accessories</i> – or visit our Online store at <a href="http://www.renishaw.com/shop">www.renishaw.com/shop</a> .
Probe software	H-2000-2298	Data sheet: <i>Probe software for machine tools – programs and features</i> .
Taper shanks	H-2000-2011	Data sheet: <i>Taper shanks for machine tool probes</i> .

[www.renishaw.com/olp40](http://www.renishaw.com/olp40)



#renishaw

 +44 (0) 1453 524524

 [uk@renishaw.com](mailto:uk@renishaw.com)

© 2010–2024 Renishaw plc. All rights reserved. This document may not be copied or reproduced in whole or in part, or transferred to any other media or language by any means, without the prior written permission of Renishaw.

RENISHAW® and the probe symbol are registered trade marks of Renishaw plc. Renishaw product names, designations and the mark 'apply innovation' are trade marks of Renishaw plc or its subsidiaries. Other brand, product or company names are trade marks of their respective owners.

WHILE CONSIDERABLE EFFORT WAS MADE TO VERIFY THE ACCURACY OF THIS DOCUMENT AT PUBLICATION, ALL WARRANTIES, CONDITIONS, REPRESENTATIONS AND LIABILITY, HOWSOEVER ARISING, ARE EXCLUDED TO THE EXTENT PERMITTED BY LAW. RENISHAW RESERVES THE RIGHT TO MAKE CHANGES TO THIS DOCUMENT AND TO THE EQUIPMENT, AND/OR SOFTWARE AND THE SPECIFICATION DESCRIBED HEREIN WITHOUT OBLIGATION TO PROVIDE NOTICE OF SUCH CHANGES.

Renishaw plc. Registered in England and Wales. Company no: 1106260. Registered office: New Mills, Wotton-under-Edge, Glos, GL12 8JR, UK.

Part no.: H-5625-8504-06-A

Issued: 11.2024