

PI 7-3 installation guide

www.renishaw.com

PI 7-3 installation guide

Documentation part number: H-1000-7555-03-B



PI 7-3 installation guide

www.renishaw.com

General information

© 2003 - 2021 Renishaw plc. All rights reserved.

 ORIGINAL LANGUAGE VERSION

This document may not be copied or reproduced in whole or in part, or transferred to any other media or language by any means, without the prior written permission of Renishaw.

Disclaimer

WHILE CONSIDERABLE EFFORT WAS MADE TO VERIFY THE ACCURACY OF THIS DOCUMENT AT PUBLICATION, ALL WARRANTIES, CONDITIONS, REPRESENTATIONS AND LIABILITY, HOWSOEVER ARISING, ARE EXCLUDED TO THE EXTENT PERMITTED BY LAW.

RENISHAW RESERVES THE RIGHT TO MAKE CHANGES TO THIS DOCUMENT AND TO THE EQUIPMENT, AND/OR SOFTWARE AND THE SPECIFICATION DESCRIBED HEREIN WITHOUT OBLIGATION TO PROVIDE NOTICE OF SUCH CHANGES.

Trade marks

RENISHAW[®], the probe symbol and REVO[®] are registered trade marks of Renishaw plc.

Renishaw product names, designations and the mark 'apply innovation' are trade marks of Renishaw plc or its subsidiaries.

Other brand, product or company names are trade marks of their respective owners.

WEEE



The use of this symbol on Renishaw products and / or accompanying documentation indicates that the product should not be mixed with general household waste upon disposal. It is the responsibility of the end user to dispose of this product at a designated collection point for waste electrical and electronic equipment (WEEE) to enable reuse or recycling. Correct disposal of this product will help to save valuable resources and prevent potential negative effects on the environment. For more information, please contact your local waste disposal service or Renishaw distributor.

Warranty

Unless you and Renishaw have agreed and signed a separate written agreement, the equipment and/or software are sold subject to the Renishaw Standard Terms and Conditions supplied with such equipment and/or software, or available on request from your local Renishaw office.

Renishaw warrants its equipment and software for a limited period (as set out in the Standard Terms and Conditions), provided that they are installed and used exactly as defined in associated Renishaw documentation. You should consult these Standard Terms and Conditions to find out the full details of your warranty.

Equipment and/or software purchased by you from a third-party supplier is subject to separate terms and conditions supplied with such equipment and/or software. You should contact your third-party supplier for details.

PI 7-3 installation guide

www.renishaw.com

Care of equipment

Renishaw probes and associated systems are precision tools used for obtaining precise measurements and must therefore be treated with care.

Changes to Renishaw products

Renishaw reserves the right to improve, change or modify its hardware or software without incurring any obligations to make changes to Renishaw equipment previously sold.

Company registration details

Renishaw plc. Registered in England and Wales. Company no: 1106260. Registered office: New Mills, Wotton-under-Edge, Gloucestershire, GL12 8JR, UK.

Packaging

To aid end user recycling and disposal the materials used in the different components of the packaging are stated here:

Packaging component	Material	94/62/EC code	94/62/EC number
Outer box	Corrugated fibreboard	PAP	20
Packaging insert	Polyurethane	PU	7
Packing foam	Polyurethane	PU	7
Bag	Low density Polyethylene	LDPE	4

PI 7-3 installation guide

www.renishaw.com

Product compliance

EU declaration of conformity

Contact Renishaw plc or visit www.renishaw.com/EUCMM for the full EU declaration.

UK declaration of conformity

Contact Renishaw plc or visit www.renishaw.com/UKCMM for the full UK declaration.

EMC conformity

This equipment must be installed and used in accordance with this installation guide. This product is intended for industrial use only and should not be used in a residential area or connected to a low voltage power supply network which supplies buildings used for residential purposes.

FCC (USA only)

Information to user (47 CFR 15.105)

This equipment has been tested and found to comply with the limits for a Class A digital device, pursuant to Part 15 of the FCC rules. These limits are designed to provide reasonable protection against harmful interference when the equipment is operated in a commercial environment. This equipment generates, uses, and can radiate radio frequency energy and, if not installed and used in accordance with the instruction manual, may cause harmful interference to radio communications. Operation of this equipment in a residential area is likely to cause harmful interference, in which case you will be required to correct the interference at your own expense.

Information to user (47 CFR 15.21)

The user is cautioned that any changes or modifications not expressly approved by Renishaw plc or authorised representative could void the user's authority to operate the equipment.

Equipment label (47 CFR 15.19)

This device complies with part 15 of the FCC Rules. Operation is subject to the following two conditions:

1. This device may not cause harmful interference.
 2. This device must accept any interference received, including interference that may cause undesired operation.
-

PI 7-3 installation guide

www.renishaw.com

ICES-001 (Canada only)

This ISM device complies with Canadian ICES-001.

Cet appareil ISM est conforme à la norme ICES-001 du Canada.

REACH regulation

Information required by Article 33(1) of Regulation (EC) No. 1907/2006 ("REACH") relating to products containing substances of very high concern (SVHCs) is available at:

www.renishaw.com/REACH

China RoHS

Contact Renishaw plc or visit www.renishaw.com/ChinaRoHSCMM for the full China RoHS tabulation.



PI 7-3 installation guide

www.renishaw.com

Safety

If the equipment is used in a manner not specified by the manufacturer, the protection provided by the equipment may be impaired.

There are no user serviceable parts inside the equipment.

The PI 7-3 probe interface is to be used with the provided PSU - Emerson DP4024N3M. See manufacturer's datasheet at www.emerson.com

PSU electrical ratings	
Supply voltage	100 V to 240 Vac +10%, -10%
Frequency range	50 Hz to 60 Hz
Power consumption	6 W max
Transient voltages	Installation category II



NOTE: For PI 7-3 controller ratings refer to section 'Power supply'.

The PI 7-3 is isolated from ac power by disconnection of the IEC mains connector from the supplied PSU. If any additional means of isolation is required, it must be specified and fitted by the machine manufacturer or installer of the product. The isolator / disconnection device must be sited within easy reach of the operator and comply with any applicable national wiring regulations for the country of installation.

PI 7-3 installation guide

www.renishaw.com

Environmental conditions

The following environmental conditions comply with those defined in BS EN61010-1:2001:

Indoor use	IP30 (no protection against water)
Altitude	Up to 2000 m
Operating temperature	0 °C to +50 °C
Storage temperature	-10 °C to +70 °C
Relative humidity	80 % maximum for temperatures up to +31 °C. Linear decrease to 50 % at +50 °C
Pollution degree	2

PI 7-3 installation guide

www.renishaw.com

Introduction

The PI 7-3 is a dedicated signal conditioner for interfacing the TP7M series of probes or touch-trigger probe types such as TP2, TP20 or TP6 / TP6A, to the CMM controller.

PI 7-3 interface unit - A-5726-0100



PI 7-3 integrated card option - A-5726-0200



PI 7-3 installation guide

www.renishaw.com

Product description and pin outs

Technical description

The PI 7-3 automatically recognises the probe type, determines the probe status, which is either triggered or seated (armed), and transmits debounced signals to the CMM controller. Status and control signals are transferred between the PI 7-3 interface, other Renishaw equipment and the CMM controller via the product interconnection system (PICS) ports. The TP7M probe series employ silicon strain sensors to detect the small gauging forces applied to the stylus tip. There is no electronic processing in the probe and the sensors are connected directly to the interface via the Renishaw autojoint connector, the probe head and associated wiring. The sensor signals are amplified and the resultant 'probe signals', proportional to changes of strain, are compared with reference voltages to determine the status of the probe.

The initial value of strain in the sensor structure will vary with the mass of the stylus and the orientation of the probe. At switch-on or following re-orientation of the probe on a movable head, a process known as 'autozero' is used to rapidly null the strain to a zero reference level.

When the stylus contacts the workpiece, a change of strain occurs in the probe structure causing the probe signal voltage to exceed the trigger reference level. A probe trigger signal condition occurs by asserting SYNC on the PICS port. As stylus deflection increases, the probe signal voltage will exceed the halt reference level and HALT will be asserted on the PICS port. When the stylus backs-off the workpiece, the probe signal falls below the reference levels; SYNC and HALT are cleared to the seated state and the sensor outputs are nulled to the zero reference level in preparation for the next trigger. Debounce timers allow the motion characteristics to stabilise after the initial trigger and reseat events, to prevent spurious switching.

A solid state relay (SSR) equivalent of the SYNC output is provided for controllers requiring a voltage free contact at their probe input.

There is a choice of two levels of trigger sensitivity to allow the TP7M series to be used on a wide range of CMM types or in situations where the ambient vibration levels are not ideal.

PI 7-3 installation guide

www.renishaw.com

Front panel indicators



Indicator		Colour	Function
POWER	ON	Green	Mains power on
TYPE	STD	Green	Touch-trigger probe selected
	TP7	Green	TP7M series probe selected
PROBE	SEATED	Green	ON - probe (seated)
			OFF - probe triggered or no probe connected
	DAMPED	Yellow	PDAMP asserted

Reset switch

Automatically, the probe will reset to the armed state when the PI 7-3 is powered up. Occasionally, it may be necessary to perform a manual reset, for example after changing the probe stylus.

Press the RESET button on the front panel for two seconds to reset the probe to the armed (seated) state.



CAUTION: Pressing the RESET button inhibits probe triggers. Before pressing the button, the CMM must be stationary, in manual mode, with the stylus clear of the workpiece.

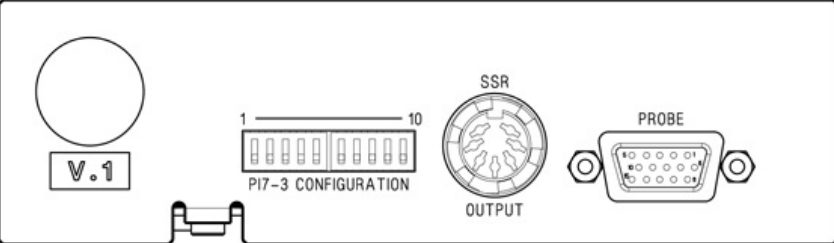
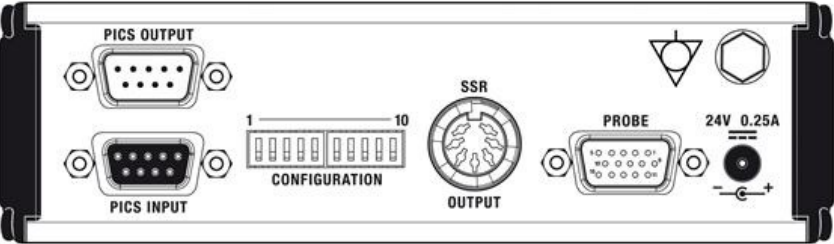


NOTE: The action of unlocking and locking the PH10 series motorised head will perform the same function as the RESET button.

PI 7-3 installation guide

www.renishaw.com

Configuration switches



PI 7-3 installation guide

www.renishaw.com

Switch no.	Function	Position	Description
1	SSR invert	UP	SSR closed when probe seated
		DOWN	SSR open when probe seated
2	Buzzer	UP	Audible indication of probe trigger - OFF
		DOWN	Audible indication of probe trigger - ON
3	Kinematic probe input	UP	Autojoint input only
		DOWN	PICS input enabled
4	Probe type	UP	Optimise for issue '01' (or later) probe
		DOWN	All probe types
5	STOP disable	UP	No response to PICS - STOP
		DOWN	Trigger outputs respond to PICS - STOP
6	HALT invert	UP	PICS - HALT output active HIGH
		DOWN	PICS - HALT output active LOW
7	HALT mode	UP	HALT generated internally
		DOWN	HALT asserted by PICS
8	Auto reset	UP	Probe will reset after 2 seconds
		DOWN	Automatic reset disabled
9	Trigger sensitivity	UP	Level 2 (mid sensitivity)
		DOWN	Level 1 (high sensitivity)
10	Extended debounce	UP	Custom settings as per special product A-1073-0544
		DOWN	Standard mode



NOTE: When switch 7 is set to 'HALT generated internally' the PICS IN connector pin 6 becomes a 150 Ω pull up resistor to 5 V, to be used to connect to the PICS STOP signal if required.

PI 7-3 installation guide

www.renishaw.com

Switch 1

The solid state relay (SSR) output contacts may be set to be open when the probe is seated and closed when the probe is triggered. The output may be inverted to mimic the action of a kinematic probe.

Switch 2

The internal audible indicator normally gives a short tone burst when the SYNC output changes from the seated to the triggered state. The switch may be set to enable or disable the sound.

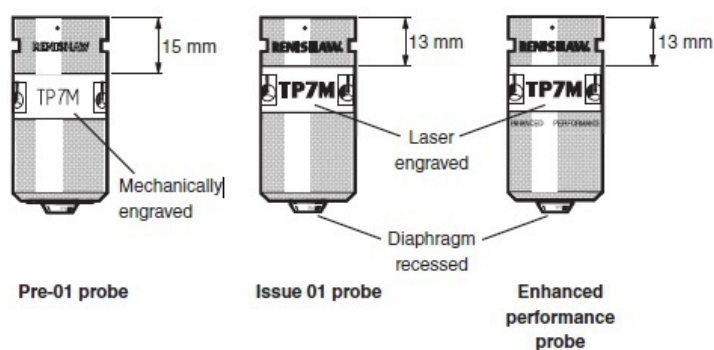
Switch 3

With switch 3 UP, the PI 7-3 will automatically change operating modes from TP7M to kinematic probe types (TP2, TP20 or TP6 / TP6A) when a TP6A probe or PAA series adapter is attached to the Renishaw autojoint connector on the probe head. Switch 3 should be set to the DOWN position only when it is necessary to connect a kinematic probe or an electronic trigger, from an external source, to the PICS input connector. For example, this will be necessary if the TP7 is fully integrated with the TP200 probe on the same installation.

Switch 4

Early versions of the TP7M probe required faster resetting than the '01' (or later) issue (after January 1995). Where only the '01' or later versions are to be used, switch 4 should be set to the UP position to optimise the reset function. This will reduce the possibility of an incorrectly seated probe occurring in situations where the back-off from the gauge point is slow or where the stylus 'skates' on the surface. Switch 4 should be set to the DOWN position where the 'pre-01' probe or mixed types are used. The DOWN position provides equivalent function to previous versions of the PI 7.

The TP7M probe types may be recognised by the differences in appearance shown below.



Switch 5

With switch 5 DOWN, the SYNC, HALT and SSR outputs will go to the triggered state when the CMM controller or other Renishaw equipment asserts the PICS STOP line. Setting switch 5 UP disables the response.

Switch 6

The HALT output at the PICS connector is active low with switch 6 DOWN but may be inverted by selecting switch 6 UP.

Switch 7

Set switch 7 to the UP position for normal operation with the TP7M or kinematic probes (TP2, TP20 or TP6/TP6A). For fully integrated operation of the TP7M with the TP200 probe on the same installation, set switch 7 to the DOWN position to allow the HALT signals from the PI 200 interface to be automatically routed to the CMM controller when the probe is changed.

PI 7-3 installation guide

www.renishaw.com

Switch 8

Set switch 8 DOWN for normal operation with the automatic reset disabled. Set switch 8 UP to select automatic reset of the probe 2 seconds after triggering. This facility is included for compatibility with previous versions of the PI 7.

Switch 9

Set switch 9 DOWN for normal operation with the TP7M at its highest sensitivity (level 1) and lowest error.

Under certain conditions, vibration may cause false 'air' triggers during gauging and it may be necessary to reduce the probe's sensitivity. False triggers may occur when large or heavy stylus arrangements are used, or where there is floor transmission from nearby machinery or vehicles. Set switch 9 UP to select level 2. This will reduce sensitivity to vibration but with a small loss of measuring accuracy.

Switch 10

Set switch 10 UP to operate as the custom product A-1073-0544 which has a modified debounce time.

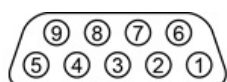
NOTE: All configuration switches are hardware controlled and do not require the PI 7-3 to be switched off and on again to make the selection active.

Connector pins

Refer to the Renishaw installation guide 'Product interconnection system – PICS' (part number H-1000-5000) for the electrical specification of the PICS signals.

PICS output connector

The PICS output connector is a 9 pin 'D' type plug. The pin numbers (viewed on the rear panel) are shown in the table below.



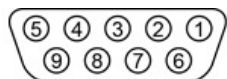
Pin no.	Function	Pin no.	Function
1	STOP	6	HALT
2	PPOFF	7	PDAMP
3	0 V	8	LEDOFF
4	Reserved for Renishaw use	9	Not used
5	SYNC (probe trigger)	Shell	Screen

PI 7-3 installation guide

www.renishaw.com

PICS input connector

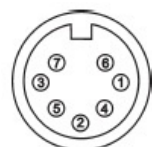
The PICS input connector is a 9 pin 'D' type socket. The pin numbers (viewed on the rear panel) are shown in the table below.



Pin no.	Function	Pin no.	Function
1	STOP	6	HALT IN
2	PPOFF	7	PDAMP
3	0 V	8	LEDOFF
4	LED anode	9	Probe return (0 V)
5	Probe input	Shell	Screen

Solid state relay (SSR) connector

The SSR output connector is a 7 pin DIN socket. The pin numbers (viewed on the rear panel) are shown in the table below.

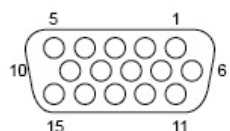


Pin no.	Function	Pin no.	Function
1	0 V	5	Probe status 2
2	Not used	6	Not used
3	Not used	7	Not used
4	Probe status 1	Shell	Screen

PI 7-3 installation guide

www.renishaw.com

Probe multiwire cable



Pin no.	Function	Pin no.	Function
1	REF GAUGE	9	NC
2	0 V	10	NC
3	TP2 RETURN	11	GAUGE 1
4	GAUGE 2	12	NC
5	GAUGE 3	13	TP2 INPUT
6	+5 V	14	HEAD POSITIVE
7	-5 V	15	HEAD LED RETURN
8	PROBE ID	Shell	SCREEN

Dimensions

Enclosure style	1/3 rack (19 inch) × 1U
Overall dimensions	155 mm × 44 mm × 180 mm
Mounting method	Rack mounting or free standing
Weight	1.25 kg

PI 7-3 installation guide

www.renishaw.com

Replacement of PI 7, PI 7c and PI 7H

The following table relates the PI 7-3 configuration switches to the previous standard and custom versions of the PI 7.

Function	PI 7-3	PI 7-2 *	PI 7-2 #	PI 7	PI 7c	PI 7H
SSR invert	Sw1 UP DOWN	Sw1 UP DOWN	Sw1 UP DOWN	Sw2 UP DOWN	Sw2 UP DOWN	Sw2 UP DOWN
Buzzer off	Sw2	Sw2	Sw2	'VOL' on rear panel	'VOL' on rear panel	'VOL' on rear panel
Kinematic probe input	Sw3 UP DOWN	Sw3 UP DOWN	Sw3 UP DOWN	Sw6 UP DOWN	Sw6 UP DOWN	Sw6 UP DOWN
Probe type	Sw4	Sw4	Sw4	No function	No function	No function
STOP disable	Sw5 UP DOWN	Sw5 UP DOWN	Sw5 UP DOWN	Internal Sw3 on motherboard UP DOWN	Internal Sw3 on motherboard UP DOWN	Internal Sw3 on motherboard UP DOWN
HALT invert	Sw6 UP DOWN	Sw6 UP DOWN	Sw6 UP DOWN	No function	Internal Sw1 on LED board RIGHT LEFT	Internal Sw1 on LED board RIGHT LEFT
HALT mode	Sw7 UP DOWN	Sw7 UP DOWN	Sw7 UP DOWN	No function	No function	Internal Sw2 on LED board RIGHT LEFT
Auto reset	Sw8 DOWN	Sw8 DOWN	Sw8 RIGHT	Sw4/5 Sw4 DOWN Sw5 DOWN	Sw4/5 Sw4 DOWN Sw5 DOWN	Sw4/5 Sw4 DOWN Sw5 DOWN
	Sw8 UP	Sw8 UP	Sw8 LEFT	Sw4 UP Sw5 DOWN	Sw4 UP Sw5 DOWN	Sw4 UP Sw5 DOWN
Trigger sensitivity	Sw9	Sw9	Sw3	Sw3	Sw3	Sw3
Level 1	DOWN	DOWN	RIGHT	DOWN	DOWN	DOWN
Level 2	UP	UP	LEFT	UP	UP	UP
Extended debounce	Sw10 UP	Special product A-1073-0544	Special product A-1073-0544	Special product A-1073-0544	Special product A-1073-0544	Special product A-1073-0544
Grounding	Function deleted	Function deleted	Function deleted	Sw1	Sw1	Sw1

* Version 13 and above. # Version 12 and below.

PI 7-3 installation guide

www.renishaw.com

Installation procedure



WARNING: Ensure the PI 7-3 is disconnected from the mains supply during installation.



WARNING: Do not exceed the operation ambient of 50 °C around the unit. Do not install near sources of heat. Forced cooling may be required in final installation.

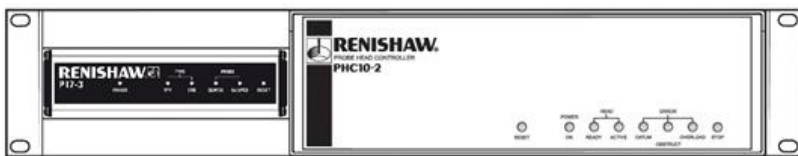
Rack mounting

The PI 7-3 may be mounted in a 19 inch equipment rack or may be free standing.

To mount the PI 7-3 alone requires 2 × 1/3 blanking panel kits (A-1018-0179).



If the PI 7-3 is to be placed next to a PHC10-2 use panel kit A-1018-0173.



System interconnection

The interconnections for the TP7 system on a PH10M motorised probe head are shown in the following illustrations.

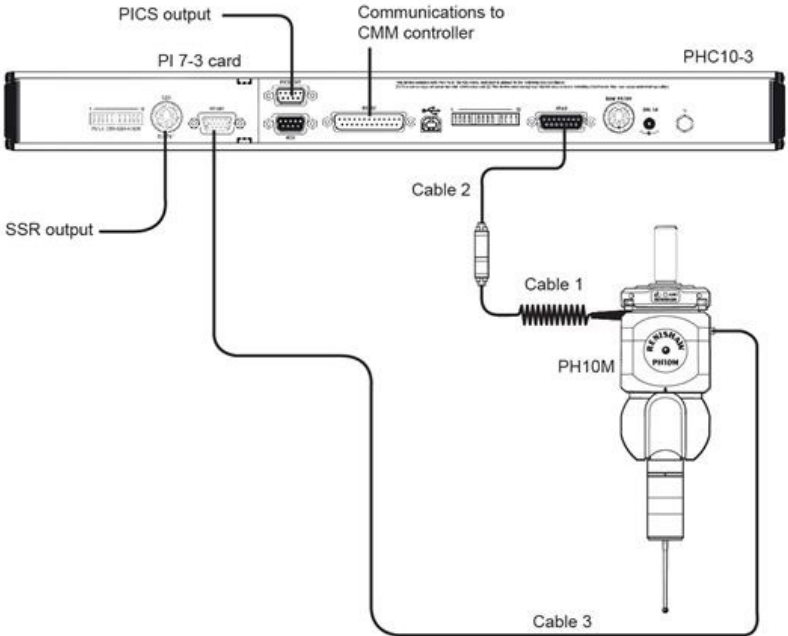
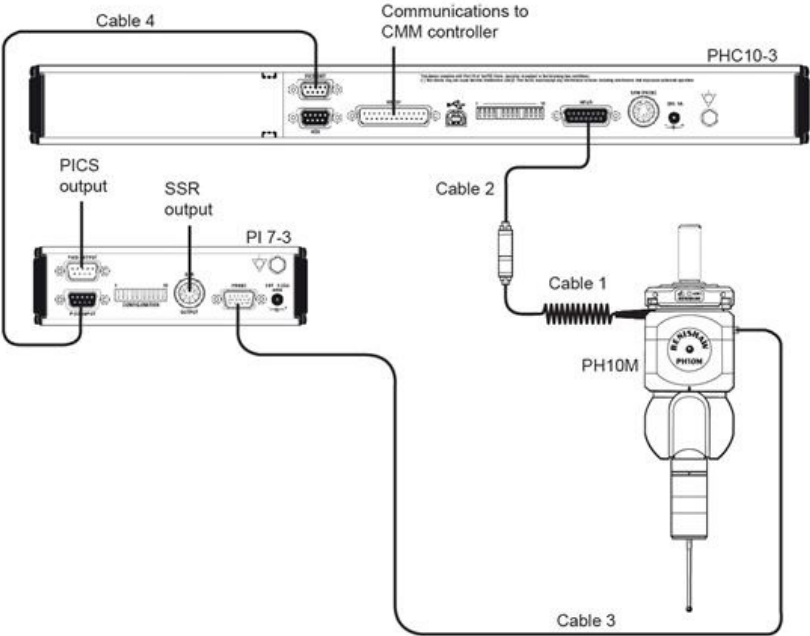


NOTE: The first illustration refers to the external PI 7-3 unit and the second shows information regarding the integral card version of the product. The table gives a list of alternative standard Renishaw cable lengths and part numbers.

Refer to the Renishaw PH10M system installation guide (H-1000-5071) for further information.

PI 7-3 installation guide

www.renishaw.com



PI 7-3 installation guide

www.renishaw.com

Cable no.	PL no.	Length (m)	Part number	Notes
1	PL5	0.4 to 0.8	A-1016-7672	Coiled
	PL6	0.8 to 1.6	A-1016-7673	Coiled
	PL12	0.1	A-1016-7674	Plain
	PL13	0.1 to 0.2	A-1016-7675	Coiled
2	PLM6	6	A-1016-7564	Unterminated
	PLM7	4	A-1016-7563	Unterminated
	PLM8	6	A-1016-7677	
	PLM9	4	A-1016-7678	
3	PL38	25	A-1016-7625	Unterminated
	PL42	15	A-1016-7624	Unterminated
	PL56	12	A-1016-7617	Unterminated
	PL44	8	A-1016-7627	Unterminated
	PL46	3.7	A-1016-7628	Unterminated
	PL45	1.8	A-1016-7629	Unterminated
4	PL25	0.3	A-1016-0120	



NOTE: Cables marked 'unterminated' are supplied with one end prepared but unterminated. The connector parts are supplied for fitting after routing of the cable in the installation.

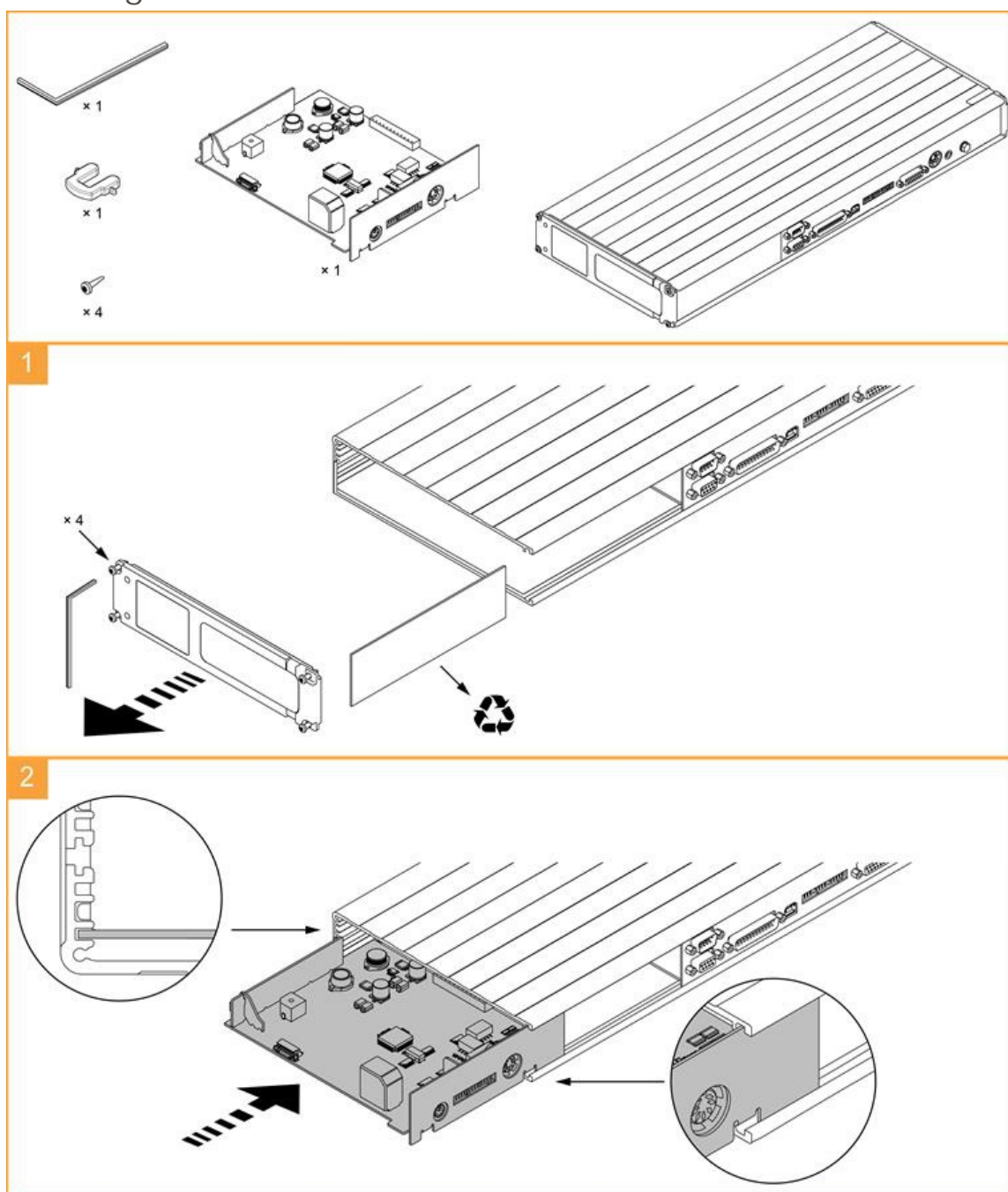
PI 7-3 installation guide

www.renishaw.com

Installing external card

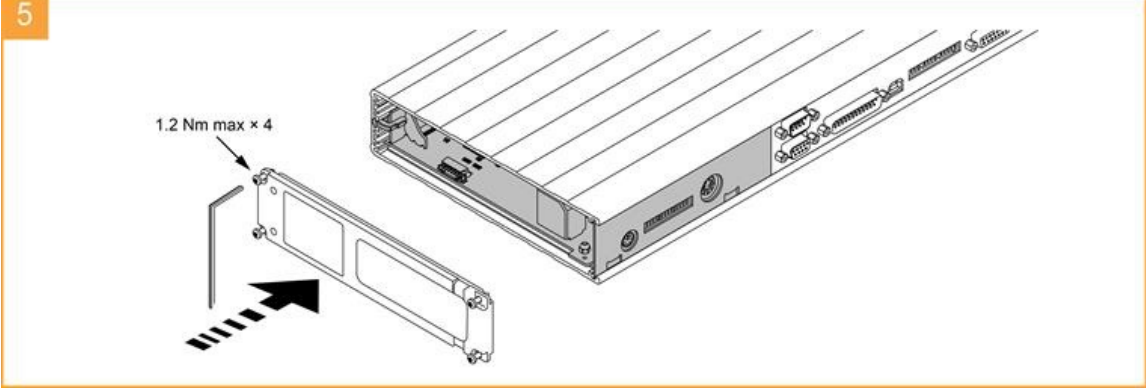
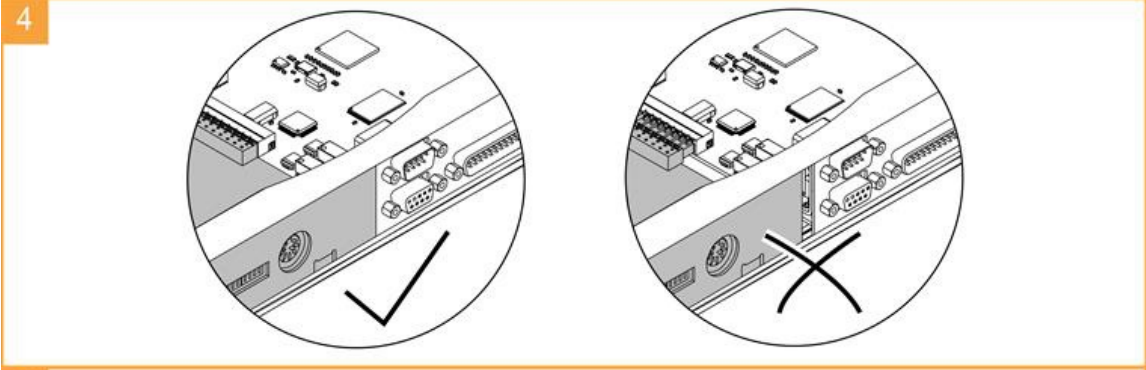
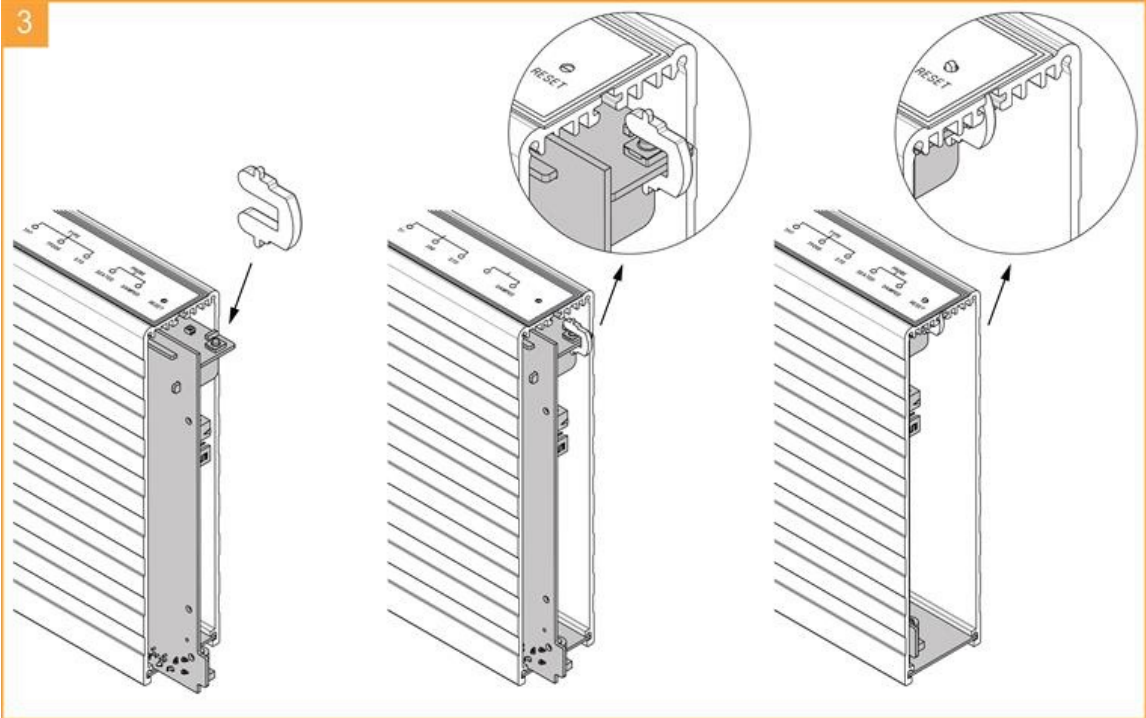
- Remove the end panel of the PHC10-3 PLUS with a hex-key and slide out the blanking plate
- Insert the PI 7-3 card, ensuring that the card is located in the correct grooves shown in the following illustration
- Insert the reset actuator over the top of the reset button on the PI 7-3 card and then replace the end panel

Inserting PI 7-3 card into PHC10-3 PLUS



PI 7-3 installation guide

www.renishaw.com



PI 7-3 installation guide

www.renishaw.com

Maintenance

- Check the security of mounting screws and electrical connectors
- Remove dust from the external surfaces with a proprietary cleaning cloth
- There are no user serviceable parts within the PI 7-3
- Renishaw recommends regular CMM calibration to ensure optimum metrology performance

PI 7-3 installation guide

www.renishaw.com

Power supply

Powering the PI 7-3

The PI 7-3 TP7 interface is to be used with the provided PSU - Emerson DP4024N3M ac power adaptor (www.emerson.com). This is a 24 Vdc 49 W supply and is connected to the PI 7-3 via Ø5.5 mm dc jack plug.

PI 7-3 does not require a protective earth, however an equipotential bonding point is provided on the rear panel for connection to the rest of the installation.

- PI 7-3 interface is rated to operate at +24 Vdc 0.25 A max input current

If an internal interface is fitted with the PHC10-3 PLUS, it will obtain its power internally from the PHC10-3 PLUS controller.

Renishaw plc
New Mills, Wotton-under-Edge
Gloucestershire, GL12 8JR
United Kingdom

T +44 (0)1453 524524
F +44 (0)1453 524901
www.renishaw.com/cmmsupport



**For worldwide contact details,
please visit our main website at
www.renishaw.com/contact**