

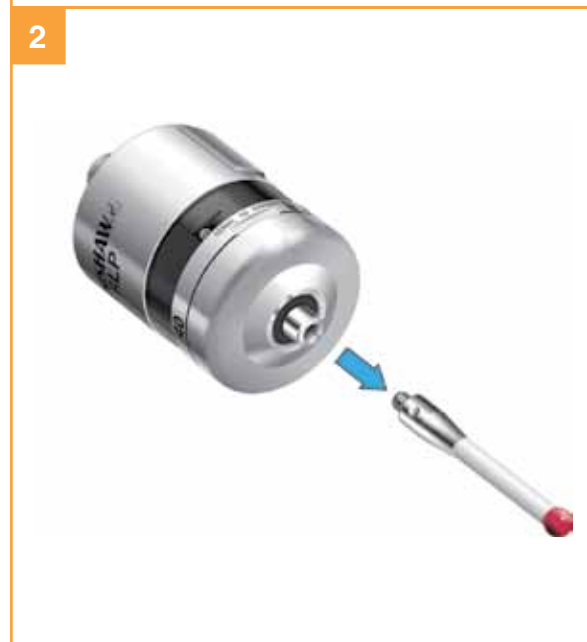
OLP40 / RLP40 eyelid service kit (A-5625-0005)

The eyelid service kit (A-5625-0005) comprises of:

- conical spring (M-2063-4520);
- eyelid (M-2063-7515);
- O ring (P-RS01-0053).

To fit the eyelid service kit, perform the following procedure:

1. Remove the stylus as shown below.



2. Remove the front cap from the probe body using a coin or flat blade screwdriver as shown below.



3. With eyelid and conical spring removed, remove all machining residue from the probe and inside the front cap with a low-pressure jet of coolant. Do not use a sharp tool or a degreasing agent.



4. Visually inspect the inner diaphragm. If the inner diaphragm is damaged, return the probe to your supplier for repair.

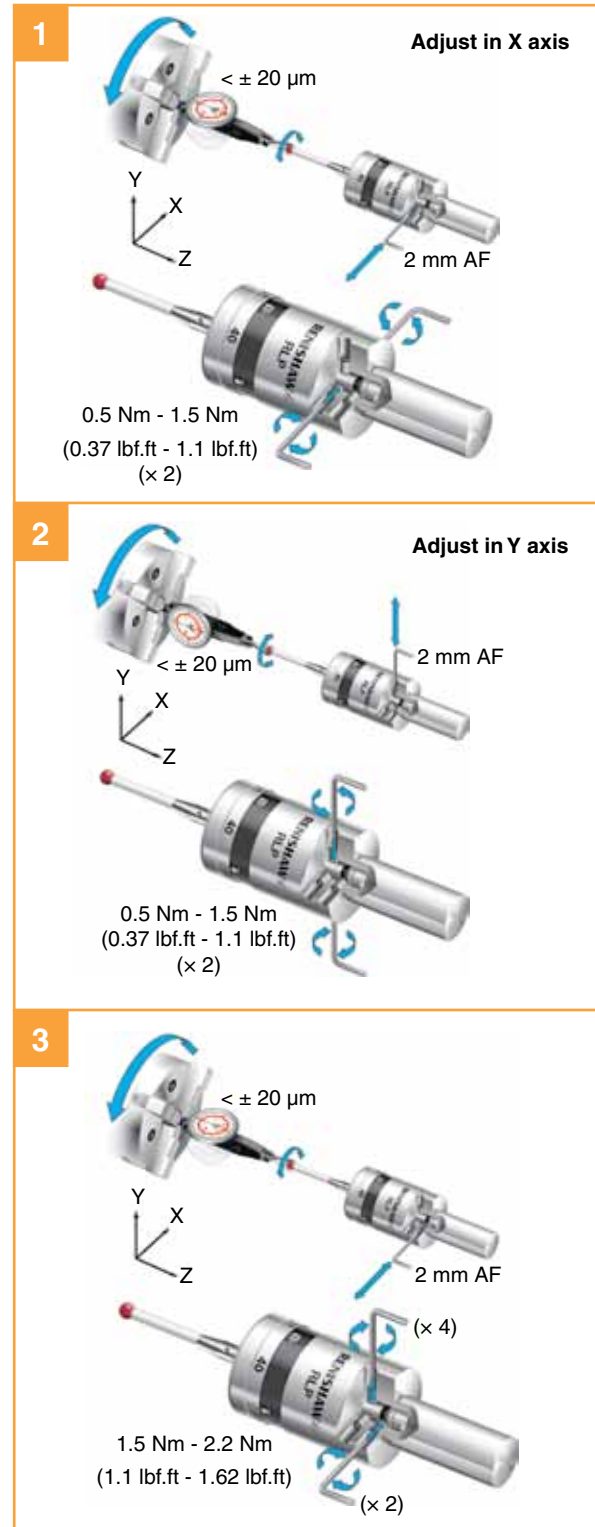
5. Fit the new conical spring, eyelid and O ring and reassemble the front cap to the probe as shown below.



6. Reassemble the stylus to the probe as shown below.



7. Check stylus on-centre and adjust if necessary.



8. Re-calibrate the probe.

For worldwide contact details, please visit our main web site at
www.renishaw.com/contact

