

RMI-QE radio machine interface

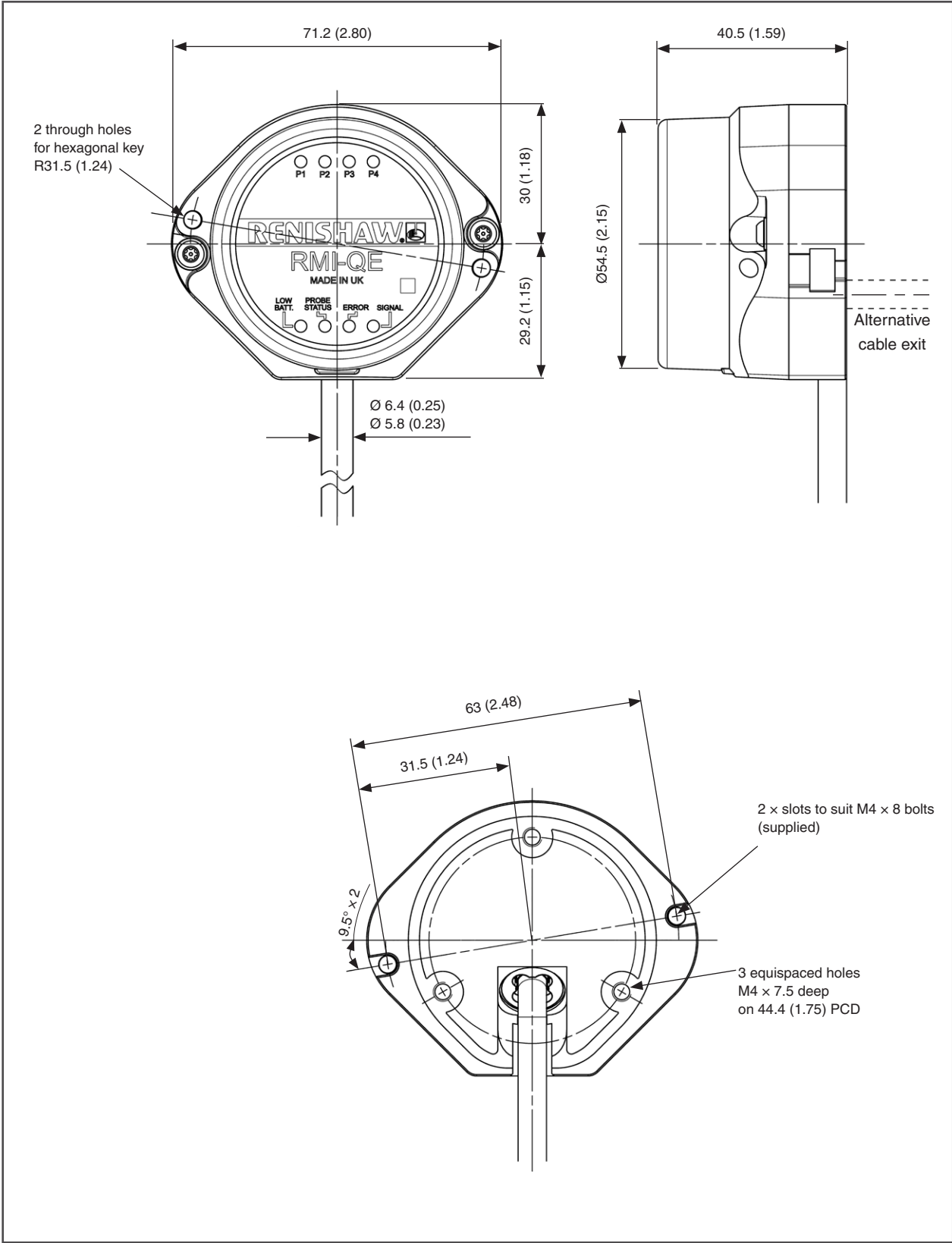


Specification

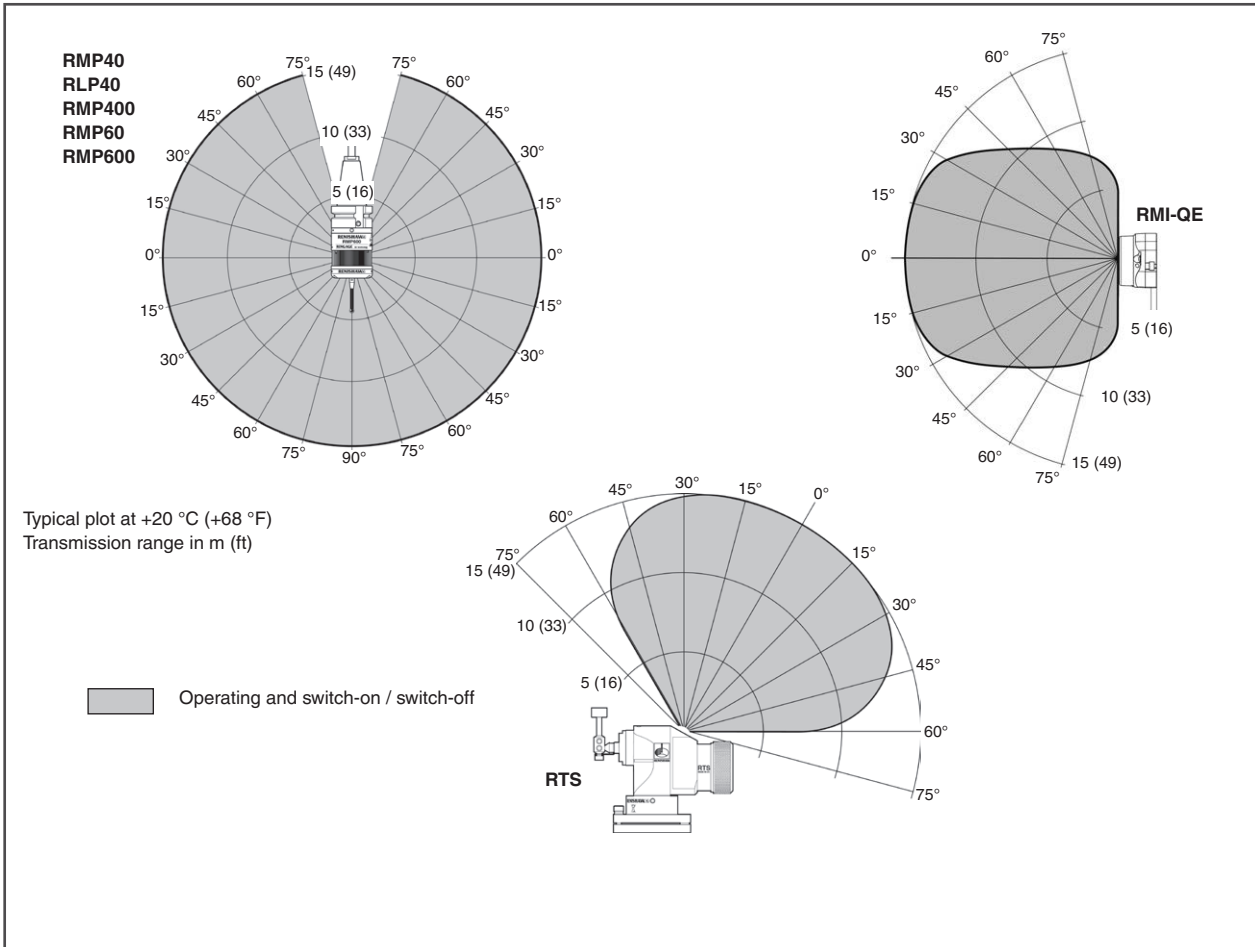
Principal application	All machining centres, 5-axis machines, twin spindle machines and vertical turret lathes.	
Transmission type	Frequency-hopping spread spectrum (FHSS) radio Radio frequency 2400 MHz to 2483.5 MHz	
Radio approval regions	UK, EU, EFTA, Japan and USA (China exempt). For details about other regions, contact Renishaw.	
Probes per system	Radio M-code on = up to four Spin/shank switch on = up to four	
Compatible probes ¹	Component setting/inspection: RMP40, RMP40M, RMP400, RMP60, RMP60M and RMP600 Lathe inspection: RLP40 and RLP40H Tool setting: RTS	
Operating range	Up to 15 m (49.2 ft)	
Weight	RMI-QE including 8 m (26.2 ft) of cable = 627 g (22.12 oz) RMI-QE including 15 m (49.2 ft) of cable = 1047 g (36.93 oz)	
Supply voltage	12 Vdc to 30 Vdc	
Supply current	500 mA peak, < 200 mA typical from 12 V to 30 V	
Configurable M-code input	Pulsed or level	
Output signal	Probe Status 1, Low Battery, Error Voltage-free solid-state relay (SSR) outputs, configurable normally open or normally closed. Probe Status 2a 5 V isolated driven output, invertible. Probe Status 2b Power supply voltage driven output, invertible.	
Input / output protection	Electronically protected inputs. Outputs protected by over current protection circuit.	
Diagnostic LEDs	Start, low battery, probe status, error, signal condition and P1, P2, P3, P4 system status.	
Cable (to machine controller)	Specification	Ø6.1 mm (0.24 in), 16-core screened cable, each core 28 AWG.
	Length	8 m (26.2 ft) and 15 m (49.2 ft) standard lengths. Optional 30 m (98.4 ft) and 50 m (164.0 ft) cable assemblies are also available.
Mounting	Flush mounting. Sub mounting or directional mounting are also possible with optional mounting brackets (available separately).	
Environment	IP rating	IPX8, BS EN 60529:1992+A2:2013 (IEC 60529:1989+A1:1999+A2:2013)
	IK rating	IK03 (EN/IEC 62262: 2002) [for glass window]
	Storage temperature	-25 °C to +70 °C (-13 °F to +158 °F)
	Operating temperature	+5 °C to +55 °C (+41 °F to +131 °F)

¹ Only third-generation radio probes can be used with the RMI-QE. These are easily identified by a "model QE" marking which is engraved on the probe body. First- and second-generation radio probes, which do not have the 'model QE' marking, cannot be used with the RMI-QE.

RMI-QE dimensions



RMI-QE performance envelope



Spare parts and accessories

A full range of spare parts and accessories is available. Contact Renishaw for a full list.

www.renishaw.com/rmi-qe

#renishaw

+44 (0) 1453 524524

uk@renishaw.com

© 2021-2022 Renishaw plc. All rights reserved. This document may not be copied or reproduced in whole or in part, or transferred to any other media or language by any means, without the prior written permission of Renishaw.

RENISHAW® and the probe symbol are registered trade marks of Renishaw plc. Renishaw product names, designations and the mark 'apply innovation' are trade marks of Renishaw plc or its subsidiaries. Other brand, product or company names are trade marks of their respective owners.

WHILE CONSIDERABLE EFFORT WAS MADE TO VERIFY THE ACCURACY OF THIS DOCUMENT AT PUBLICATION, ALL WARRANTIES, CONDITIONS, REPRESENTATIONS AND LIABILITY, HOWSOEVER ARISING, ARE EXCLUDED TO THE EXTENT PERMITTED BY LAW. RENISHAW RESERVES THE RIGHT TO MAKE CHANGES TO THIS DOCUMENT AND TO THE EQUIPMENT, AND/OR SOFTWARE AND THE SPECIFICATION DESCRIBED HEREIN WITHOUT OBLIGATION TO PROVIDE NOTICE OF SUCH CHANGES.

Renishaw plc. Registered in England and Wales. Company no: 1106260. Registered office: New Mills, Wotton-under-Edge, Glos, GL12 8JR, UK.

Part no.: H-6551-8200-02-A
Issued: 05.2022