

Assembly instructions - EQ-ATS 500 Table Extension (A-6242-0350)

Pokyny k sestavení / Montageanleitung / Instrucciones de montaje / Instructions de montage / Istruzioni per l'assemblaggio / 組み立て手順 / 조립 지침 / Instrukcje dotyczące montażu / Instruções de montagem / Инструкции по сборке / Montaj talimatları / 安装说明

About Renishaw

Renishaw is an established world leader in engineering technologies, with a strong history of innovation in product development and manufacturing. Since its formation in 1973, the company has supplied leading-edge products that increase process productivity, improve product quality and deliver cost-effective automation solutions.

A worldwide network of subsidiary companies and distributors provides exceptional service and support for its customers.

Products include:

- Additive manufacturing, vacuum casting, and injection moulding technologies for design, prototyping, and production applications
- Advanced material technologies with a variety of applications in multiple fields
- Dental CAD/CAM scanning and milling systems and supply of dental structures
- Encoder systems for high accuracy linear, angle and rotary position feedback
- Fixturing for CMMs (co-ordinate measuring machines) and gauging systems
- Gauging systems for comparative measurement of machined parts
- High speed laser measurement and surveying systems for use in extreme environments
- Laser and ballbar systems for performance measurement and calibration of machines
- Medical devices for neurosurgical applications
- Probe systems and software for job set-up, tool setting and inspection on CNC machine tools
- Raman spectroscopy systems for non-destructive material analysis
- Sensor systems and software for measurement on CMMs
- Styli for CMM and machine tool probe applications

For worldwide contact details, please visit our main website at www.renishaw.com/contact



RENISHAW HAS MADE CONSIDERABLE EFFORTS TO ENSURE THE CONTENT OF THIS DOCUMENT IS CORRECT AT THE DATE OF PUBLICATION BUT MAKES NO WARRANTIES OR REPRESENTATIONS REGARDING THE CONTENT. RENISHAW EXCLUDES LIABILITY, HOWSOEVER ARISING, FOR ANY INACCURACIES IN THIS DOCUMENT.

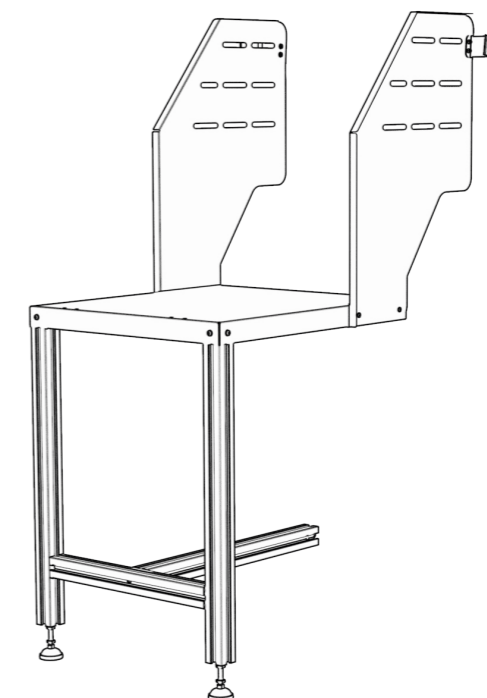
©2019 Renishaw plc. All rights reserved.
Renishaw reserves the right to change specifications without notice.

RENISHAW and the probe symbol used in the RENISHAW logo are registered trade marks of Renishaw plc in the United Kingdom and other countries.
apply innovation and names and designations of other Renishaw products and technologies are trade marks of Renishaw plc or its subsidiaries.
All other brand names and product names used in this document are trade names, trade marks or registered trade marks of their respective owners.



H - 6 2 4 2 - 8 5 0 4 - 0 1 - B

Issued: 06/19 Part no. H-6242-8504-01-B



EN Pre-assembled parts can become loose in transit. Please check that all fittings are tight before beginning to assemble the unit. If required, clean the unit using a cloth and clean, warm, soapy water.

CS Předem sestavené části se mohou během přepravy uvolnit. Před sestavením jednotky zkontrolujte, zda jsou všechny spoje utažené. Podle potřeby očistěte jednotku hadříkem a čistou teplou mýdlovou vodou.

DE Vormontierte Teile können sich auf dem Transportweg lösen. Bitte überprüfen Sie, dass alle Verschraubungen fest sind, bevor Sie mit der Montage der Einheit beginnen. Reinigen Sie die Einzelteile ggf. mit einem Tuch und sauberem, warmen Seifenwasser.

ES Las piezas montadas en fábrica podrían aflojarse durante el transporte. Compruebe que todos los ajustes están bien sujetos antes de empezar a ensamblar la unidad. Si es necesario, limpie la unidad con un paño y agua limpia jabonosa templada.

FR Les pièces pré-assemblées pourraient se desserrer pendant le transport. Contrôlez que toutes les fixations sont correctement serrées avant de monter l'unité. Nettoyez l'unité avec un chiffon et de l'eau propre, chaude et savonneuse s'il y a lieu.

IT Le parti preassemblate possono allentarsi durante il trasporto. Prima di iniziare ad assemblare l'unità, controllare che tutte le connessioni siano serrate. Se necessario, pulire l'unità con un panno e con acqua tiepida e detergente.

JA 事前に組み付けられたパーツは、輸送中に緩むことがあります。ユニットを組み立て始める前に、すべての固定具が緩んでいないことを確認してください。必要な場合には、布ときれいな暖かい石鹸水を使用してユニットをクリーニングしてください。

KR 사전 조립된 부품은 이동 중에 느슨해질 수 있습니다. 장치 조립을 시작하기 전에 모든 이음쇠가 꼭 조여져 있는지 확인하십시오. 필요한 경우, 천과 깨끗하고 따뜻한 비눗물로 장치를 닦아내십시오.

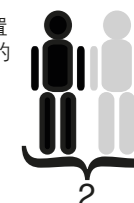
PL Wstępnie zmontowane części mogą ulec obluźowaniu podczas transportu. Przed przystąpieniem do montażu urządzenia należy upewnić się, że wszystkie połączenia są dokręcone. W razie potrzeby należy wyczyścić urządzenie szmatką zwilżoną roztworem ciepłej wody z mydłem.

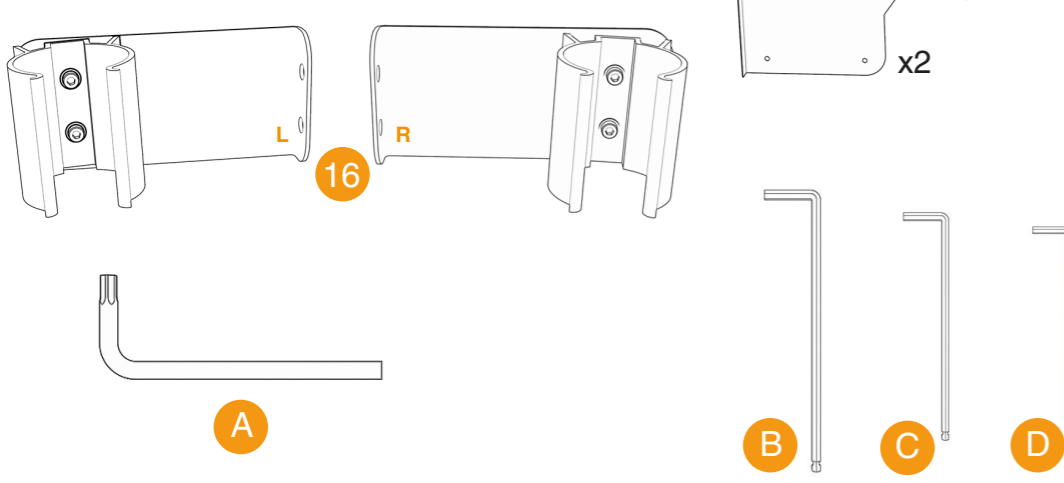
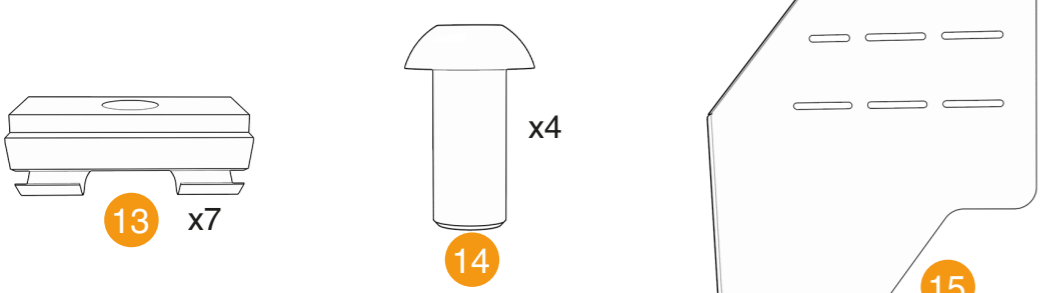
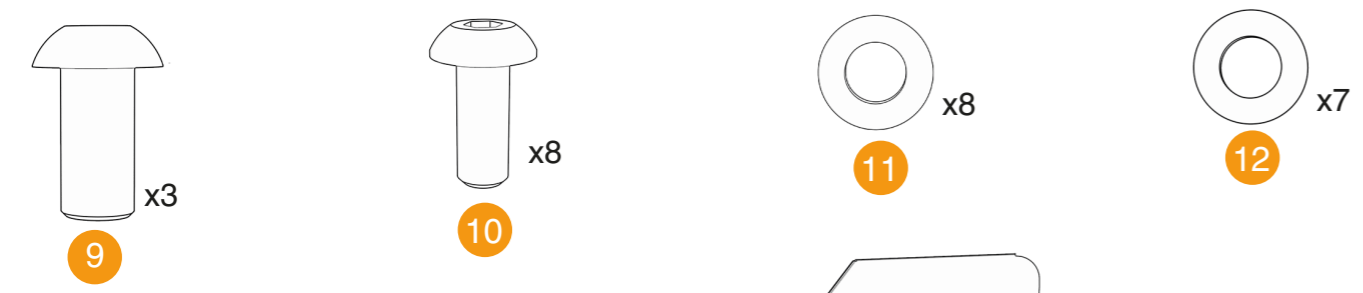
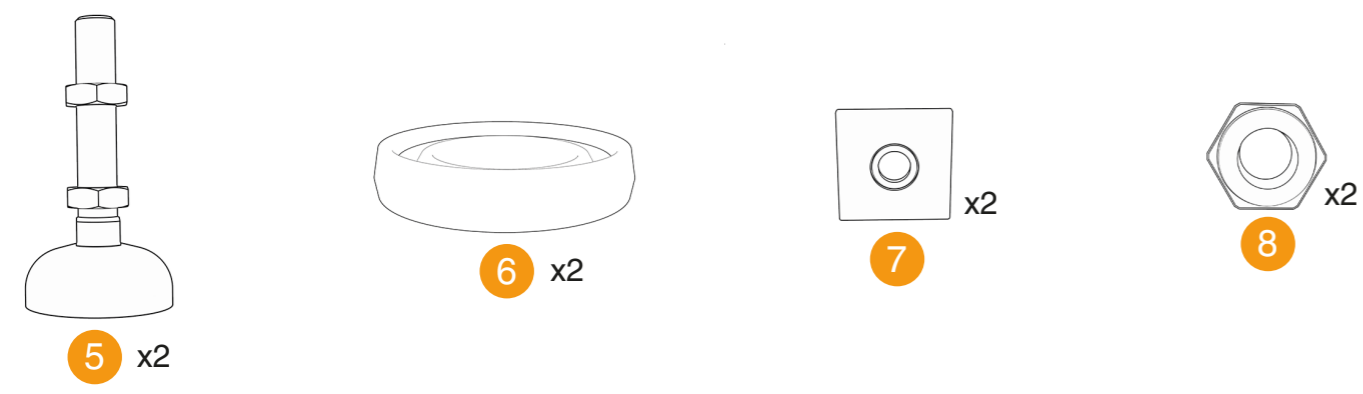
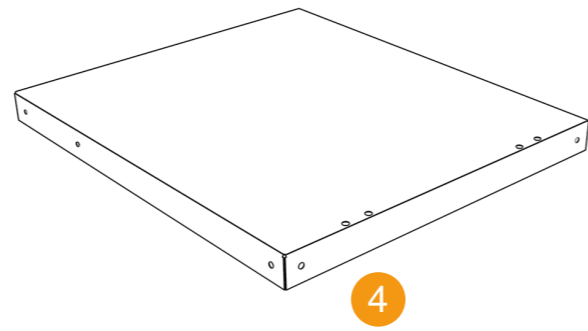
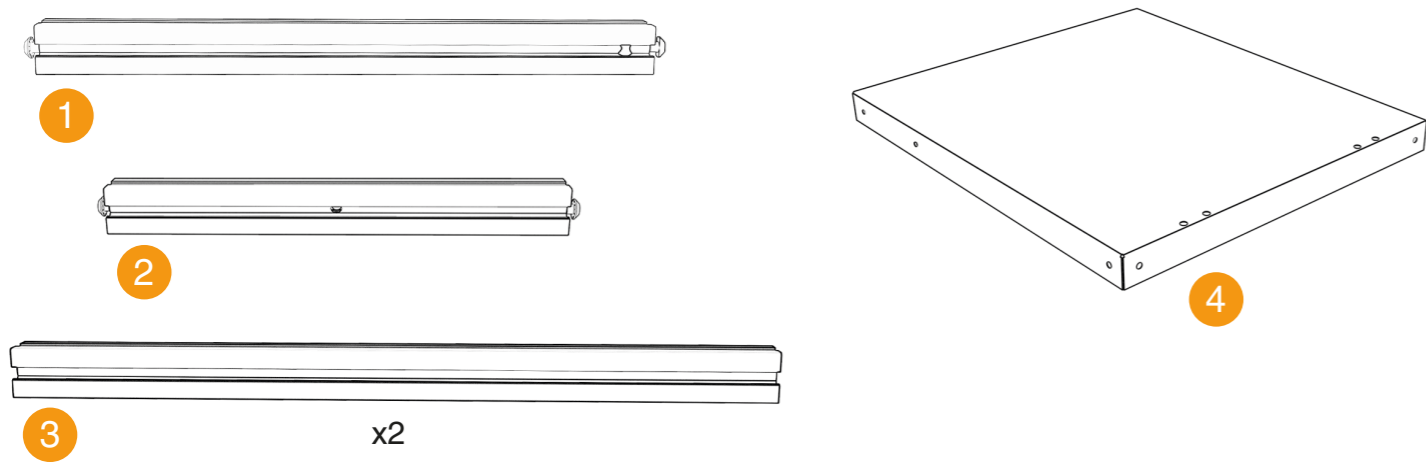
PT As peças pré-montadas podem se soltar durante o transporte. Verifique se todos os acessórios estão fixos entre si antes de começar a montar a unidade. Se necessário, limpe a unidade com um pano e água limpa e morna com sabão.

RU Крепления в предварительном собранном узлах могут оказаться ослабленными в процессе перевозки. Прежде чем выполнять монтаж каждого модуля, необходимо проверить, надежно ли затянуты все крепления. При необходимости выполнить чистку модуля, пользуясь тканевой салфеткой, смоченной в чистой теплой мыльной воде.

TR Önceden monte edilmiş olan parçalar nakliye sırasında gevşeyebilir. Üniteyi monte etmeye başlamadan önce lütfen tüm bağlantıların sıkı olduğunu kontrol ediniz. Gerekiirse üniteyi bir kumaş kullanarak, temiz, ılık, sabunlu su ile temizleyin.

ZH 预先组装的零件在运输过程中可能会出现松动。开始安装该装置前，请检查并确认所有配件都已紧固。如需要，请用布和干净的温肥皂水清洁该装置。





Item	Description
1	557 mm extrusion
2	430 mm extrusion
3	670 mm leg extrusion
4	Table top
5	Foot
6	Foot cover
7	End cap
8	M5 nut
9	M6x12 bolt
10	M5x12 bolt
11	M5 washer
12	M6 washer
13	M6 t-slot
14	M6x16 bolt
15	Side panel
16	Brackets (left and right)
A	T-50
B	6 mm hex key
C	4 mm hex key
D	3 mm hex key

