

# Advanced Diagnostic Tool ADTa-100



The ADTa-100 (A-6525-0100) is a set-up tool and diagnostic accessory specifically designed to be used with Renishaw absolute encoder products. It also allows for writing a new zero position <sup>1</sup>.

It can be used in a stand-alone mode or in conjunction with a PC <sup>2</sup> running the ADT View software <sup>3</sup>.

Function	Signal	Encoder input pins	
Power	5 V	4, 5	
	0 V	8, 9	
Serial communications	REQ/SD	+	2
		-	3
Shield (case)	Outer	Cable screen	
Not connected	-	1, 6, 7	

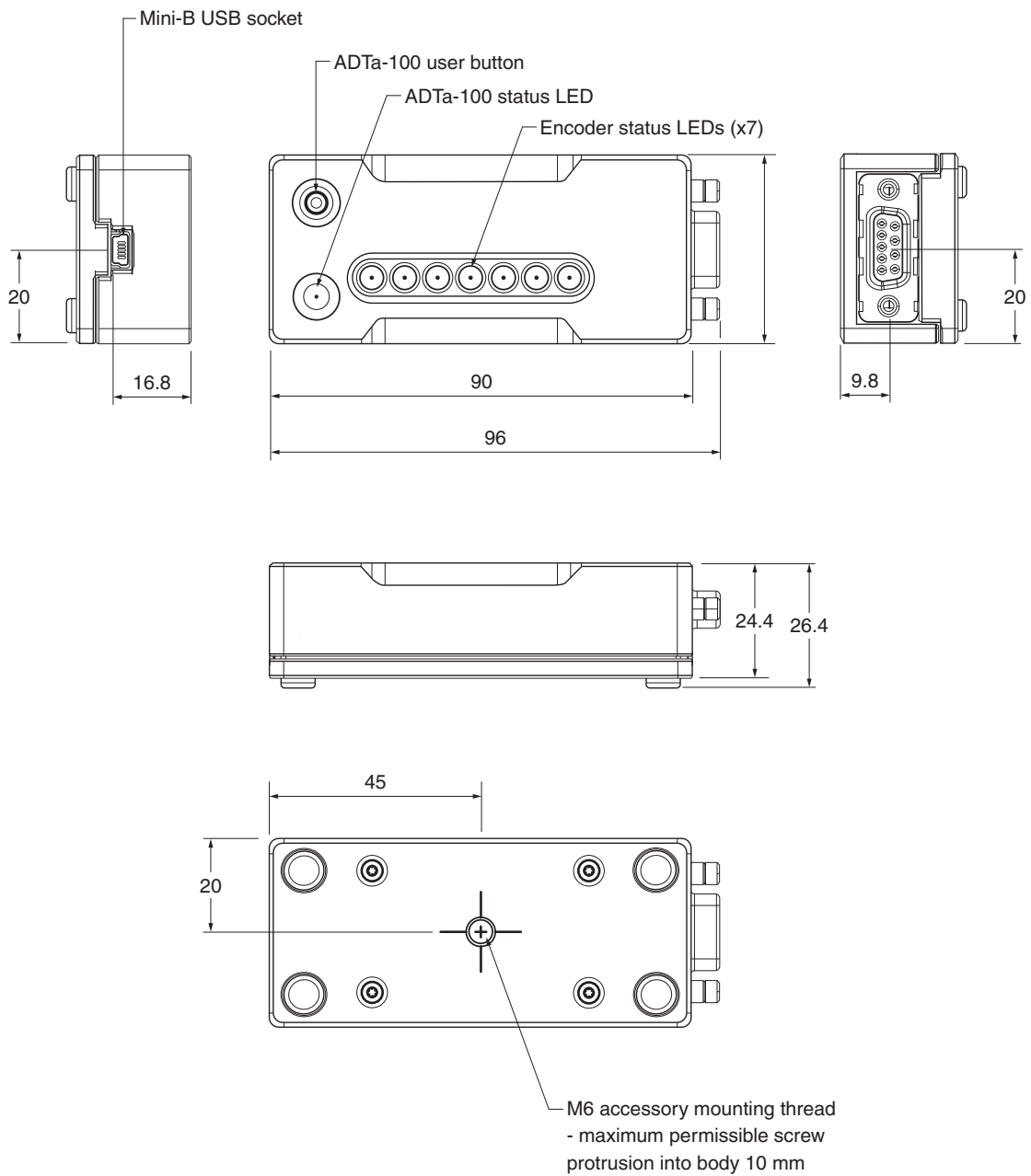
<sup>1</sup> The write zero command is available only for BiSS C, Yaskawa and Panasonic serial interfaces.

<sup>2</sup> Supported operating systems: Windows® 10 (x86 or x64) or Windows 11 (x64).

<sup>3</sup> Free ADT View software download is available directly from [www.renishaw.com/adt](http://www.renishaw.com/adt).

# ADTa-100 drawing




Dimensions and tolerances in mm



## General specifications

<b>Power</b>	5V ±10%	Typically < 340 mA (ADTa-100 and readhead) Power from a 5 Vdc supply complying with the requirements for SELV of standard IEC 60950-1 or via PC's USB port
	Typical power consumption	< 1.25 W
	Ripple	200 mVpp maximum @ frequency up to 500 kHz
<b>Temperature</b>	Storage	-20 °C to +70 °C
	Operating	0 °C to +55 °C
<b>Humidity</b>		95% relative humidity (non-condensing) to IEC 60068-2-78
<b>Sealing</b>		IP20
<b>Shock</b>	Operating	500 m/s <sup>2</sup> , 11 ms, ½ sine, 3 axes
<b>Vibration</b>	Operating	Sinusoidal 40 m/s <sup>2</sup> max @ 55 Hz to 2000 Hz
<b>Mass</b>		155 g
<b>EMC compliance</b>		IEC 61326-1

## ADT and accessory part numbers

Part description	Part number	Product image
ADTa-100	A-6525-0100	
USB cable (ADTa-100 to PC)	A-9572-0098	
ADT View software	Free to download from <a href="http://www.renishaw.com/adt">www.renishaw.com/adt</a>	

## Adaptor cables

Adaptor cables enable readheads with different terminations to be connected to the 9-way D-type input of the ADTa-100.

Readhead termination	Pin-out	Cable length (m)	Part number
H	20-way Honda (FANUC)	0.5 m	AA-0050-HAX
		3 m	AA-0300-HAX
N	15-way D-type	0.5 m	AA-0050-NAX
		3 m	AA-0300-NAX
P	10-way 3M (Mitsubishi)	0.5 m	AA-0050-PAX
		3 m	AA-0300-PAX
L	14-way LEMO	0.5 m	AA-0050-LAX
		3 m	AA-0300-LAX
Y	6-way Molex	0.5 m	AA-0050-YAX
		3 m	AA-0300-YAX
S	8-way M12	0.5 m	AA-0050-SAX
		3 m	AA-0300-SAX

[www.renishaw.com/contact](http://www.renishaw.com/contact)



#renishaw

+44 (0) 1453 524524

 [uk@renishaw.com](mailto:uk@renishaw.com)

© 2019–2025 Renishaw plc. All rights reserved. This document may not be copied or reproduced in whole or in part, or transferred to any other media or language by any means, without the prior written permission of Renishaw.  
RENISHAW® and the probe symbol are registered trade marks of Renishaw plc. Renishaw product names, designations and the mark 'apply innovation' are trade marks of Renishaw plc or its subsidiaries. BiSS® is a registered trademark of iC-Haus GmbH. Other brand, product or company names are trade marks of their respective owners.  
WHILE CONSIDERABLE EFFORT WAS MADE TO VERIFY THE ACCURACY OF THIS DOCUMENT AT PUBLICATION, ALL WARRANTIES, CONDITIONS, REPRESENTATIONS AND LIABILITY, HOWSOEVER ARISING, ARE EXCLUDED TO THE EXTENT PERMITTED BY LAW.  
RENISHAW RESERVES THE RIGHT TO MAKE CHANGES TO THIS DOCUMENT AND TO THE EQUIPMENT, AND/OR SOFTWARE AND THE SPECIFICATION DESCRIBED HEREIN WITHOUT OBLIGATION TO PROVIDE NOTICE OF SUCH CHANGES.  
Renishaw plc. Registered in England and Wales. Company no: 1106260. Registered office: New Mills, Wotton-under-Edge, Glos, GL12 8JR, UK.

Part no.: L-9517-9834-02-A

Issued: 12.2025