

# RESOLUTE™ RKLA30-S absolute linear encoder system



This page is intentionally left blank.

## Contents

Legal notices . . . . .	4
Storage and handling . . . . .	6
RESOLUTE readhead installation drawing – standard cable outlet . . . . .	8
RESOLUTE readhead installation drawing – side cable outlet. . . . .	9
RKLA30-S scale installation drawing . . . . .	10
Equipment required for installing the RKLA30-S scale. . . . .	11
Cutting the RKLA30-S scale. . . . .	12
Applying the RKLA30-S scale . . . . .	13
Fitting the end clamps . . . . .	14
RESOLUTE readhead mounting and alignment. . . . .	15
RESOLUTE readhead signals . . . . .	16
RESOLUTE readhead termination options . . . . .	19
Siemens DRIVE-CLiQ interface drawing – single readhead input . . . . .	21
Electrical connections. . . . .	22
General specifications . . . . .	24
RKLA30-S scale specifications. . . . .	25

## Legal notices

### Patents

Features of Renishaw's encoder systems and similar products are the subjects of the following patents and patent applications:

CN1260551	EP2350570	JP5659220	JP6074392	DE10296644
JP5480284	KR1701535	KR1851015	EP1469969	GB2395005
KR1630471	US10132657	US20120072169	EP2390045	JP4008356
US8505210	CN102460077	JP5002559	US7499827	CN102388295
EP2438402	US6465773	US8466943	CN102197282	EP2417423
JP5755223	CN1314511	US8987633		

### Terms and conditions and warranty

Unless you and Renishaw have agreed and signed a separate written agreement, the equipment and/or software are sold subject to the Renishaw Standard Terms and Conditions supplied with such equipment and/or software, or available on request from your local Renishaw office.

Renishaw warrants its equipment and software for a limited period (as set out in the Standard Terms and Conditions), provided that they are installed and used exactly as defined in associated Renishaw documentation. You should consult these Standard Terms and Conditions to find out the full details of your warranty.

Equipment and/or software purchased by you from a third-party supplier is subject to separate terms and conditions supplied with such equipment and/or software. You should contact your third-party supplier for details.

### Declaration of Conformity

Renishaw plc hereby declares that the RESOLUTE™ encoder system is in compliance with the essential requirements and other relevant provisions of:

- the applicable EU directives
- the relevant statutory instruments under UK law



The full text of the declaration of conformity is available at: [www.renishaw.com/productcompliance](http://www.renishaw.com/productcompliance).

### Compliance

#### Federal Code Of Regulation (CFR) FCC Part 15 – RADIO FREQUENCY DEVICES

##### 47 CFR Section 15.19

This device complies with part 15 of the FCC Rules. Operation is subject to the following two conditions: (1) This device may not cause harmful interference, and (2) this device must accept any interference received, including interference that may cause undesired operation.

##### 47 CFR Section 15.21

The user is cautioned that any changes or modifications not expressly approved by Renishaw plc or authorised representative could void the user's authority to operate the equipment.

##### 47 CFR Section 15.105

This equipment has been tested and found to comply with the limits for a Class A digital device, pursuant to part 15 of the FCC Rules. These limits are designed to provide reasonable protection against harmful interference when the equipment is operated in a commercial environment.

This equipment generates, uses, and can radiate radio frequency energy and, if not installed and used in accordance with the instruction manual, may cause harmful interference to radio communications. Operation of this equipment in a residential area is likely to cause harmful interference in which case the user will be required to correct the interference at his own expense.

## 47 CFR Section 15.27

This unit was tested with shielded cables on the peripheral devices. Shielded cables must be used with the unit to ensure compliance.

## Supplier's Declaration of Conformity

### 47 CFR § 2.1077 Compliance Information

**Unique Identifier:** RESOLUTE

### Responsible Party - U.S. Contact Information

Renishaw Inc.  
 1001 Wesemann Drive  
 West Dundee  
 Illinois  
 IL 60118  
 United States  
 Telephone number: +1 847 286 9953  
 Email: [usa@renishaw.com](mailto:usa@renishaw.com)

### ICES-003 – Information Technology Equipment (including Digital Apparatus)

This ISM device complies with Canadian ICES-003(A).

Cet appareil ISM est conforme à la norme ICES-003(A).

## Intended use

The RESOLUTE encoder system is designed to measure position and provide that information to a drive or controller in applications requiring motion control. It must be installed, operated, and maintained as specified in Renishaw documentation and in accordance with the Standard Terms and Conditions of the Warranty and all other relevant legal requirements.

## Further information

Further information relating to the RESOLUTE encoder range can be found in the RESOLUTE data sheets. These can be downloaded from our website [www.renishaw.com/resolutedownloads](http://www.renishaw.com/resolutedownloads) and are also available from your local Renishaw representative.

## Packaging

The packaging of our products contains the following materials and can be recycled.

Packing component	Material	ISO 11469	Recycling guidance
Outer box	Cardboard	Not applicable	Recyclable
	Polypropylene	PP	Recyclable
Inserts	Low density polyethylene foam	LDPE	Recyclable
	Cardboard	Not applicable	Recyclable
Bags	High density polyethylene bag	HDPE	Recyclable
	Metallised polyethylene	PE	Recyclable

## REACH regulation

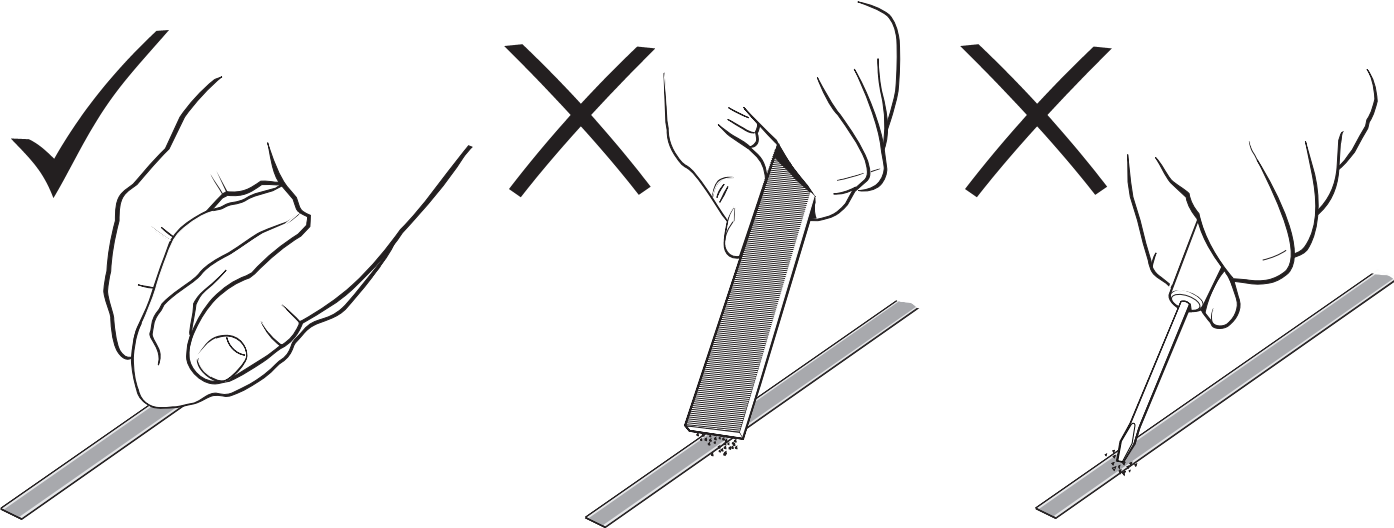
Information required by Article 33(1) of Regulation (EC) No. 1907/2006 ("REACH") relating to products containing substances of very high concern (SVHCs) is available at [www.renishaw.com/REACH](http://www.renishaw.com/REACH).

## Disposal of waste electrical and electronic equipment

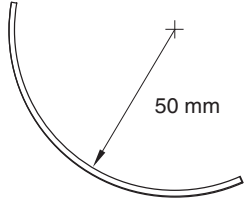


The use of this symbol on Renishaw products and/or accompanying documentation indicates that the product should not be mixed with general household waste upon disposal. It is the responsibility of the end user to dispose of this product at a designated collection point for waste electrical and electronic equipment (WEEE) to enable reuse or recycling. Correct disposal of this product will help to save valuable resources and prevent potential negative effects on the environment. For more information, contact your local waste disposal service or Renishaw distributor.

# Storage and handling

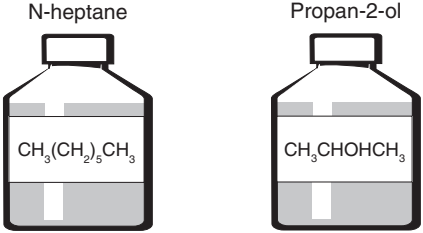


## Minimum bend radius



**NOTE:** During storage ensure self-adhesive tape is on outside of bend.

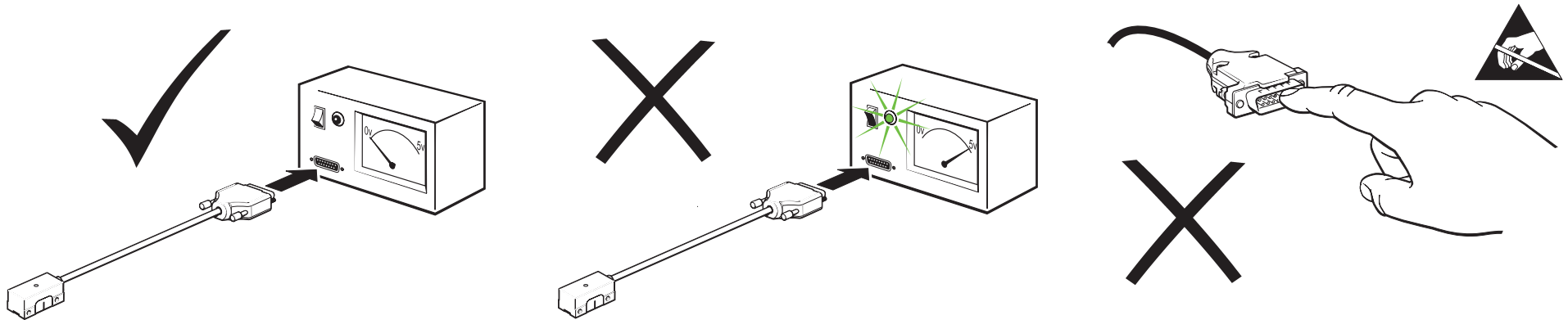
## System



## Readhead

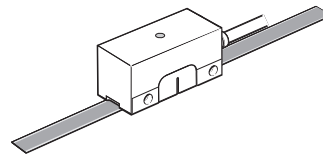
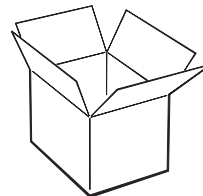


## Readhead and DRIVE-CLiQ interface



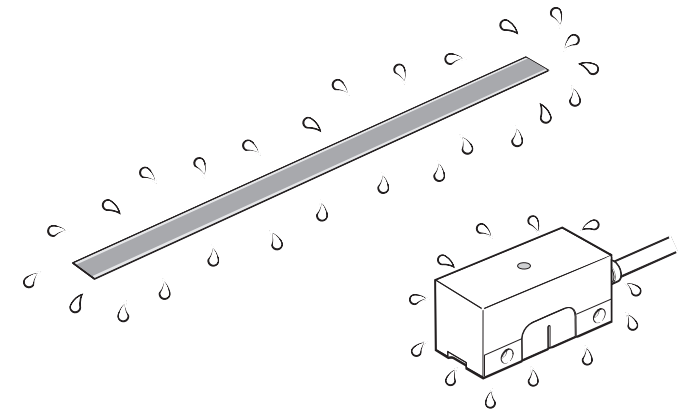
## Temperature

Storage	
Standard readhead, DRIVE-CLiQ interface, and RKLA30-S scale	-20 °C to +80 °C
Installation	
Standard readhead, DRIVE-CLiQ interface, and RKLA30-S scale	+10 °C to +35 °C
Operating	
Standard readhead and RKLA30-S scale	0 °C to +70 °C
DRIVE-CLiQ interface	0 °C to +55 °C



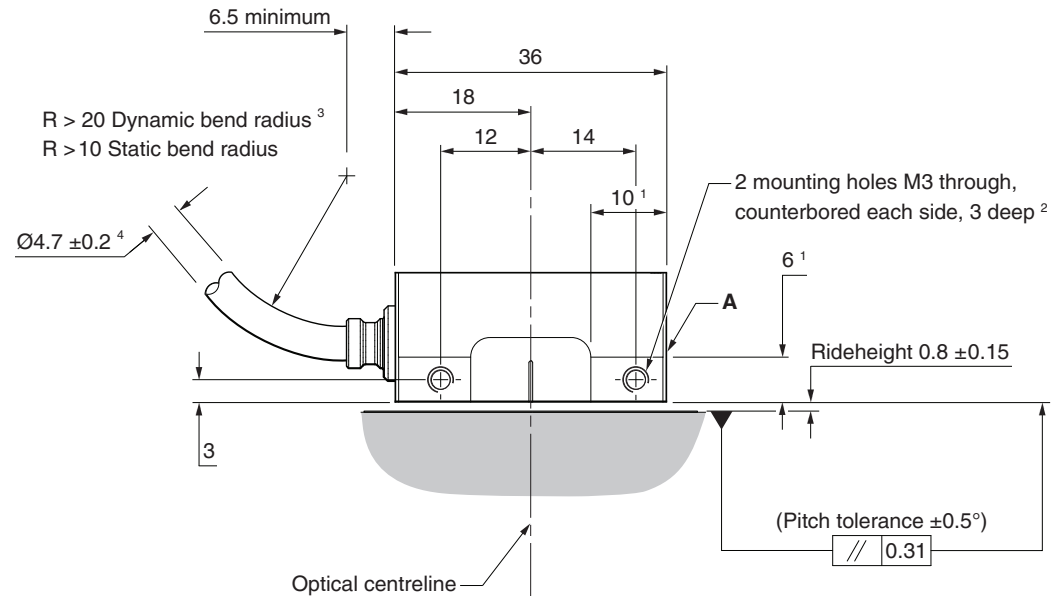
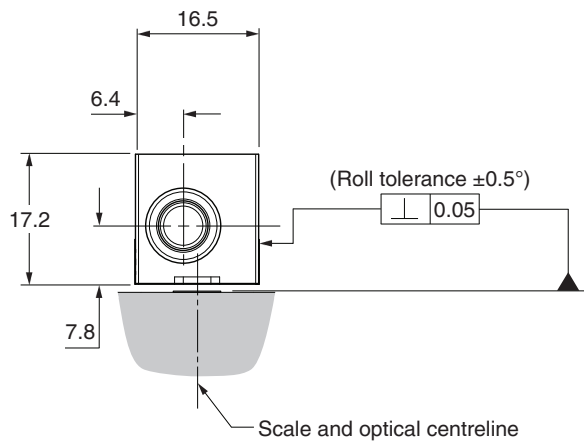
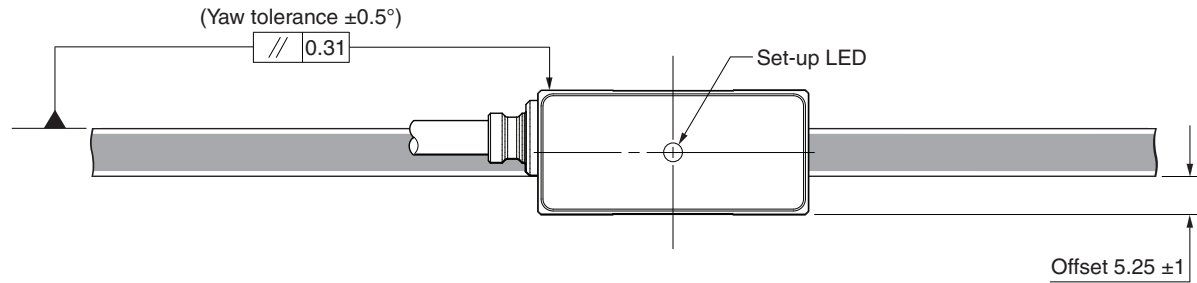
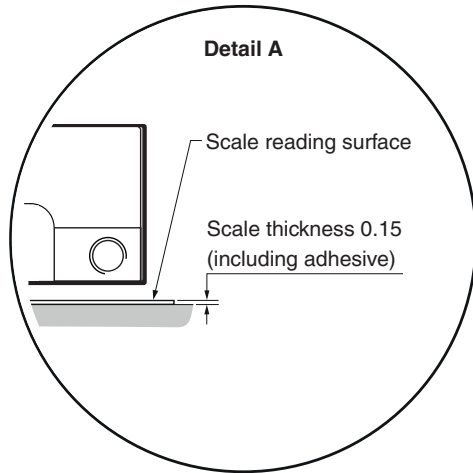
## Humidity

95% relative humidity (non-condensing) to IEC 60068-2-78



# RESOLUTE readhead installation drawing – standard cable outlet

Dimensions and tolerances in mm



<sup>1</sup> Extent of mounting faces.

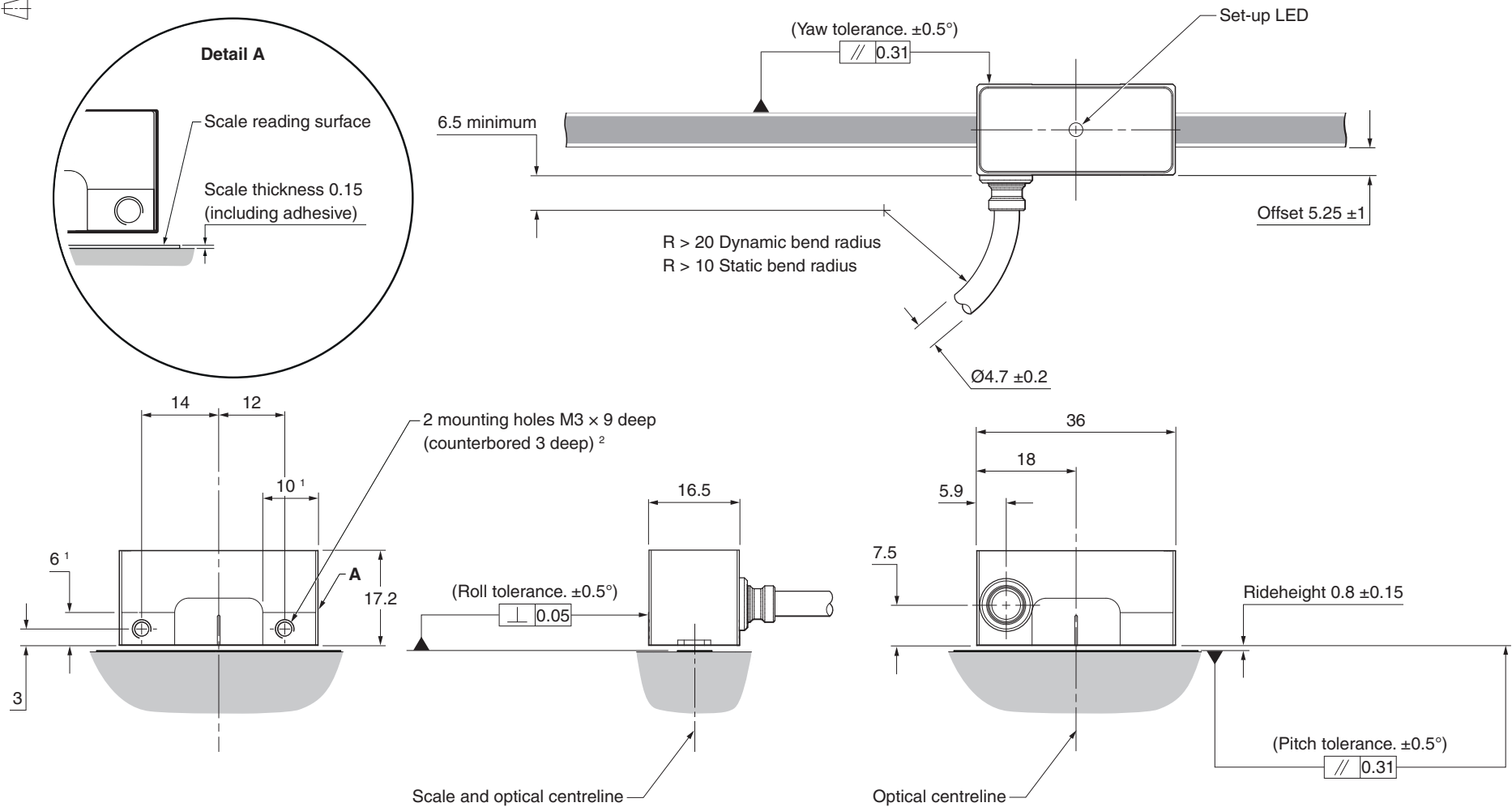
<sup>2</sup> The recommended thread engagement is 5 mm minimum (8 mm including counterbore) and the recommended tightening torque is 0.5 Nm to 0.7 Nm.

<sup>3</sup> Dynamic bend radius not applicable for UHV cables.

<sup>4</sup> UHV cable diameter 2.7 mm.

## RESOLUTE readhead installation drawing – side cable outlet

Dimensions and tolerances in mm

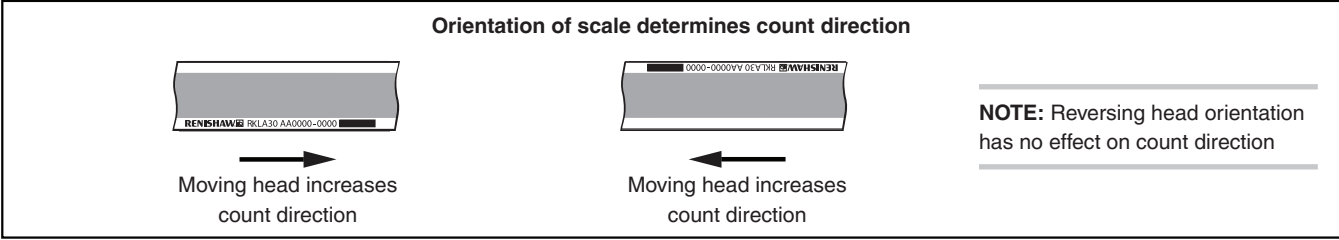
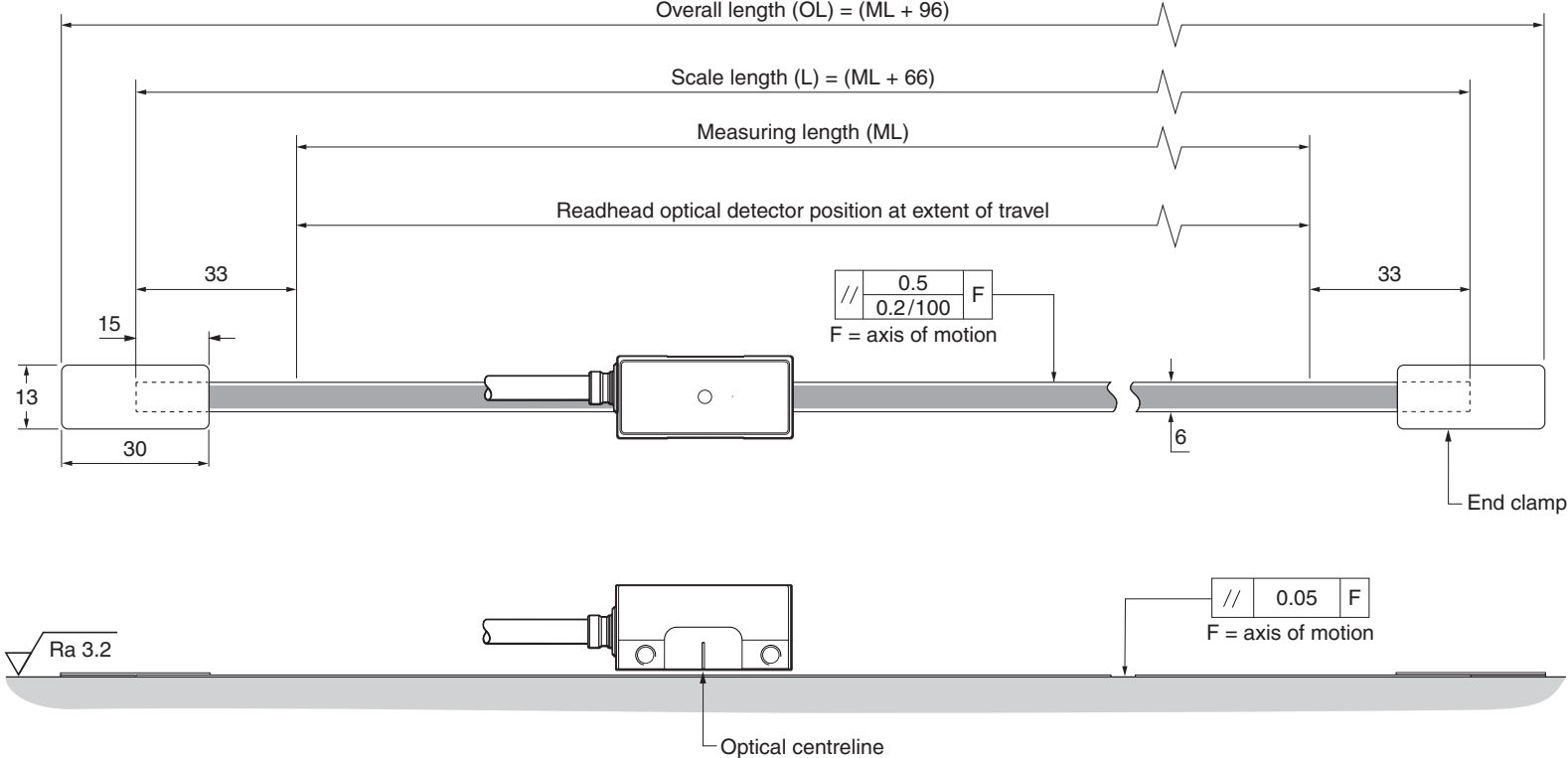


<sup>1</sup> Extent of mounting faces

<sup>2</sup> The recommended thread engagement is 5 mm minimum (8 mm including counterbore) and the recommended tightening torque is 0.5 Nm to 0.7 Nm

# RKLA30-S scale installation drawing

Dimensions and tolerances in mm



## Equipment required for installing the RKLA30-S scale

### Required parts:

- Appropriate length of RKLA30-S scale (see '[RKLA30-S scale installation drawing](#)' on page 10)
- A pair of end clamps (A-9523-4015)
- RGG-2 two part epoxy adhesive (A-9531-0342)
- Appropriate cleaning solvents (see '[Storage and handling](#)' on page 6)
- RKLA30-S side mount scale applicator (A-6547-1918)
- 2 × M3 screws
- Blue shim (supplied with RESOLUTE readhead)
- Lint-free cloth

### Optional parts:

- Renishaw scale wipes (A-9523-4040)
- Guillotine (A-9589-0071) or shears (A-9589-0133) for cutting RKLA30-S to length required

## Cutting the RKLA30-S scale

If required cut the RKLA30-S scale to length using guillotine or shears.

### Using the guillotine

The guillotine should be held securely in place, using a suitable vice or clamping method.

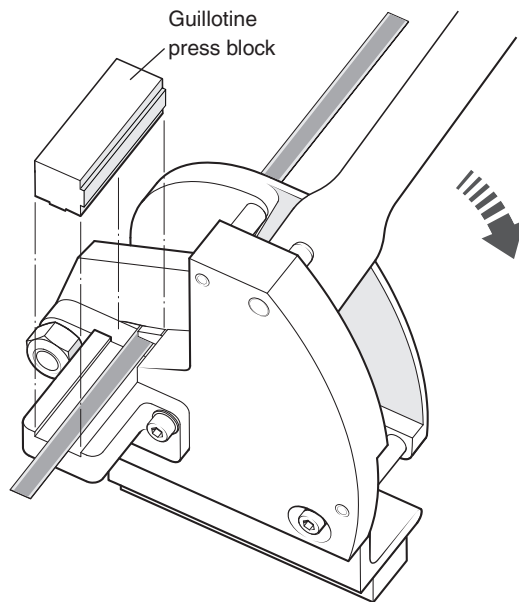
Once secured, feed the RKLA30-S scale through the guillotine as shown, and place the guillotine press block down onto the scale.

---

**NOTE:** Ensure the block is in the correct orientation (as shown below).

---

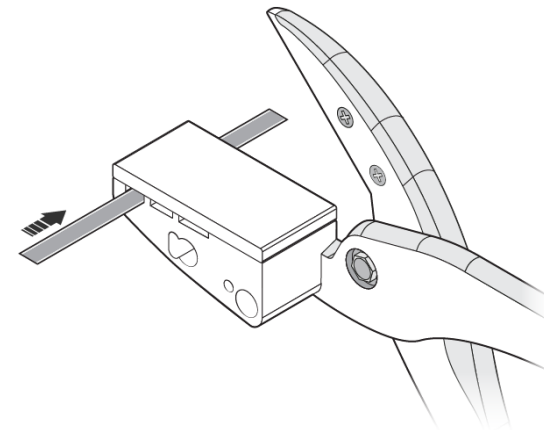
#### Guillotine press block orientation when cutting RKLA30-S scale



Whilst holding the block in place, in a smooth motion, pull down the lever to cut through the scale.

### Using the shears

Feed the RKLA30-S scale through the first aperture on the shears (as shown).



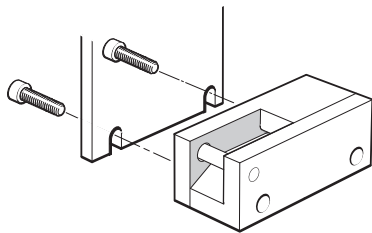
Hold the scale in place and close the shears in a smooth motion to cut through the scale.

## Applying the RKLA30-S scale

1. Allow the scale to acclimatise to the installation environment prior to installation.

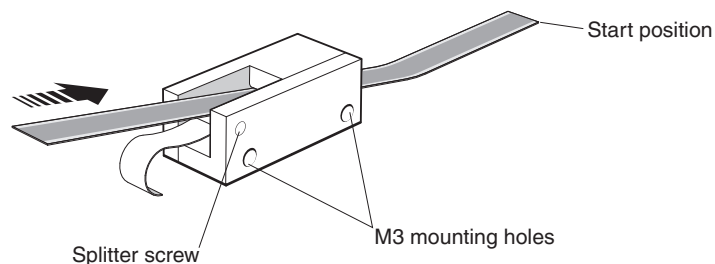
**NOTE:** The RKLA30-S scale should be installed between +10 °C and +35 °C to ensure scale mastering.

2. Mark out the start position for the scale on the axis substrate ensuring that there is enough room for the end clamps (see 'RKLA30-S scale installation drawing' on page 10).
3. Thoroughly clean and degrease the substrate using recommended solvents (see 'Storage and handling' on page 6). Allow the substrate to dry before applying the scale.
4. Mount the scale applicator to the readhead mounting bracket. Place the blue shim supplied with the readhead between the applicator and the substrate to set the nominal height.

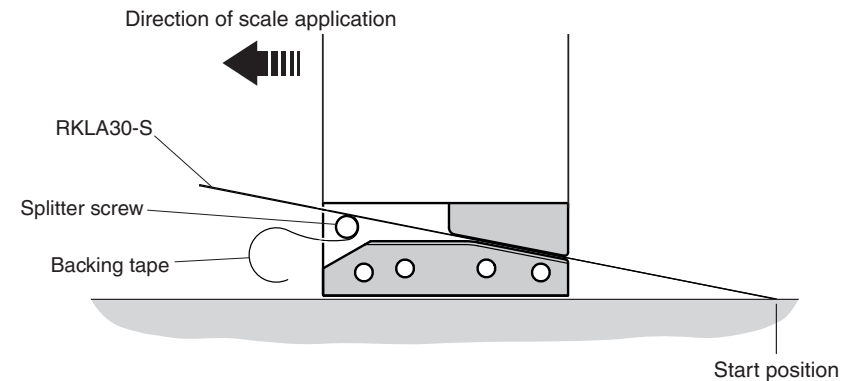


**NOTE:** The scale applicator can be mounted either way round to enable the easiest orientation for the installation of the scale.

5. Move the axis to the start of travel leaving enough room for the scale to be inserted through the applicator, as shown below.
6. Begin to remove the backing paper from the scale and insert the scale into the applicator up to the start position. Ensure the backing tape is routed under the splitter screw.



7. Apply firm finger pressure via a clean, dry, lint-free cloth to ensure the scale end adheres well to the substrate.
8. Slowly and smoothly move the applicator through the entire axis of travel. Ensure the backing paper is pulled manually from the scale and does not catch under the applicator.



9. During installation ensure the scale adheres to the substrate using light finger pressure.
10. Remove the applicator and, if necessary, adhere the remaining scale manually.
11. Apply firm finger pressure via a clean, dry, lint-free cloth along the length of the scale after application to ensure complete adhesion.
12. Clean the scale using Renishaw scale cleaning wipes or a clean, dry, lint-free cloth.
13. Fit the end clamps (see 'Fitting the end clamps' on page 14).

## Fitting the end clamps

The end clamp kit is designed to be used with the RKLA30-S scale to ensure the scale is mastered to the substrate.

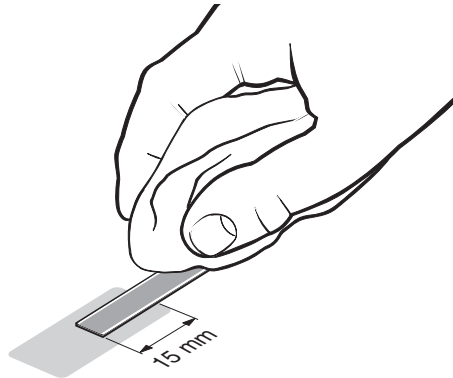
Alternative narrow 6 mm wide end clamps (A-9523-4111) are also available.

---

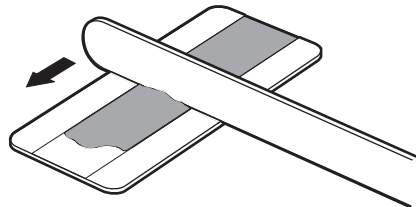
**NOTE:** The end clamps can be mounted before or after readhead installation.

---

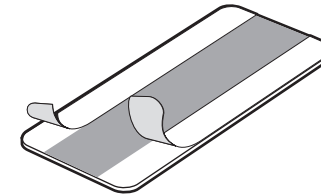
1. Clean both ends of the scale and the area where the end clamps are to be fitted using Renishaw scale wipes or one of the recommended solvents (see 'Storage and handling' on page 6).



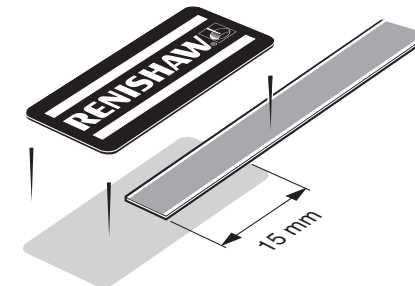
2. Thoroughly mix up a sachet of RGG-2 two part epoxy adhesive and apply a small amount to the underside of the end clamp.



3. The end clamp features two small regions of contact adhesive. These will temporarily hold the end clamp in position while the epoxy cures. Remove the backing tape from either side.



4. Immediately position the end clamp over the end of the scale and push down to ensure complete adhesion. Allow 24 hours at 20 °C for a full cure.<sup>1</sup>



---

**CAUTION:** Ensure that excess epoxy is wiped away from the scale as it may affect the readhead signal level.

---

<sup>1</sup> To ensure scale end movement of typically < 1 µm, stabilise the system at least 5 °C higher than the maximum customer application temperature for a minimum of 8 hours. For example: Customer application = 23 °C axis temperature. Stabilise the system at 28 °C for a minimum of 8 hours.

## RESOLUTE readhead mounting and alignment

### Mounting brackets

The bracket must have a flat mounting surface and should provide adjustment to enable conformance to the installation tolerances, allow adjustment to the rideheight of the readhead, and be sufficiently stiff to prevent deflection or vibration of the readhead during operation.

### Readhead set-up

Ensure that the scale, readhead optical window and mounting face are clean and free from obstructions.

**NOTE:** When cleaning the readhead and scale apply cleaning fluid sparingly, do not soak.

To set nominal rideheight, place the blue spacer with the aperture under the optical centre of the readhead to allow normal LED function during set-up procedure. Adjust the readhead to maximize the signal strength along the full axis of travel to achieve a green or blue LED.

#### NOTES:

- Flashing of the set-up LED indicates scale reading error. The flashing state is latched for some serial protocols; remove power to reset.
- The optional Advanced Diagnostic Tool ADTa-100<sup>1</sup> (A-6525-0100) and ADT View software<sup>2</sup> can be used to aid installation. The ADTa-100 and ADT View software are only compatible with RESOLUTE readheads showing the **ADT** mark. Contact your local Renishaw representative for other readhead compatibility.

<sup>1</sup> For more details refer to the Advanced Diagnostic Tools and ADT View software User guide (Renishaw part no. M-6195-9413).

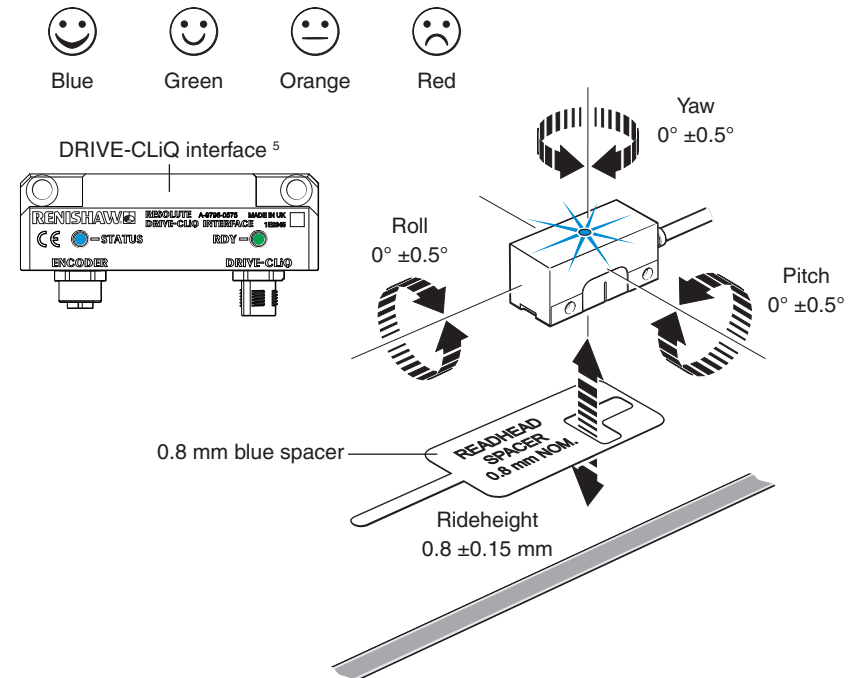
<sup>2</sup> The software can be downloaded for free from [www.renishaw.com/adt](http://www.renishaw.com/adt).

<sup>3</sup> The LED is activated regardless of whether the corresponding messages have been reconfigured.

<sup>4</sup> The colour depends upon the LED status when component recognition is activated via p0144=1.

<sup>5</sup> RESOLUTE Siemens DRIVE-CLiQ readheads require the Siemens DRIVE-CLiQ interface to function correctly.

### RESOLUTE readhead and DRIVE-CLiQ interface status LEDs



### DRIVE-CLiQ interface RDY LED functions

Colour	Status	Description
-	Off	Power supply is missing or outside of permissible tolerance range
Green	Continuous light	The component is ready for operation and cyclic DRIVE-CLiQ communication is taking place
Orange	Continuous light	DRIVE-CLiQ communication is being established
Red	Continuous light	At least one fault is present in this component <sup>3</sup>
Green/orange or red/orange	Flashing light	Component recognition via LED is activated (p0144) <sup>4</sup>

# RESOLUTE readhead signals

## BiSS C serial interface

Function	Signal <sup>1</sup>	Wire colour	Pin				
			9-way D-type (A)	LEMO (L)	M12 (S)	13-way JST (F and V)	
Power	5 V	Brown	4, 5	11	2	9	
	0 V	White	8, 9	8, 12	5, 8	5, 7	
		Green					
Serial communications	MA+	Violet	2	2	3	11	
	MA-	Yellow	3	1	4	13	
	SLO+	Grey	6	3	7	1	
	SLO-	Pink	7	4	6	3	
Shield	Single	Shield	Case	Case	Case	External	
	Double	Inner	Inner shield	1	10	1	External
		Outer	Outer shield	Case	Case	Case	External

<sup>1</sup> For details, refer to *BiSS C-mode (unidirectional) for RESOLUTE encoders* data sheet (Renishaw part no. L-9709-9005).

**NOTE:** For RESOLUTE BiSS UHV readheads only 13-way JST (V) option is available.

## FANUC serial interface

Function	Signal	Wire colour	Pin					
			9-way D-type (A)	LEMO (L)	20-way (H)	M12 (S)	13-way JST (F)	
Power	5 V	Brown	4, 5	11	9, 20	2	9	
	0 V	White	8, 9	8, 12	12, 14	5, 8	5, 7	
		Green						
Serial communications	REQ	Violet	2	2	5	3	11	
	*REQ	Yellow	3	1	6	4	13	
	SD	Grey	6	3	1	7	1	
	*SD	Pink	7	4	2	6	3	
Shield	Single	Shield	Case	Case	External, 16	Case	External	
	Double	Inner	Inner shield	1	10	16	1	External
		Outer	Outer shield	Case	Case	External	Case	External

## Mitsubishi serial interface

Function	Signal	Wire colour	Pin					
			9-way D-type (A)	10-way Mitsubishi (P)	15-way D-type (N)	LEMO (L)	M12 (S)	13-way JST (F)
Power	5 V	Brown	4, 5	1	7, 8	11	2	9
	0 V	White	8, 9	2	2, 9	8, 12	5, 8	5, 7
		Green						
Serial communications	MR	Violet	2	3	10	2	3	11
	MRR	Yellow	3	4	1	1	4	13
	MD <sup>1</sup>	Grey	6	7	11	3	7	1
	MDR <sup>1</sup>	Pink	7	8	3	4	6	3
Shield	Single	Shield	Case	Case	Case	Case	Case	External
	Double	Inner	Inner shield	Not applicable	15	10	1	External
		Outer	Outer shield		Case	Case	Case	External

<sup>1</sup> For 2 wire RESOLUTE Mitsubishi readheads do not connect MD and MDR.

## Panasonic/Omron serial interface

Function	Signal	Wire colour	Pin				
			9-way D-type (A)	LEMO (L)	M12 (S)	13-way JST (F and V)	
Power	5 V	Brown	4, 5	11	2	9	
	0 V	White	8, 9	8, 12	5, 8	5, 7	
		Green					
Serial communications	PS	Violet	2	2	3	11	
	PS	Yellow	3	1	4	13	
Shield	Single	Shield	Case	Case	Case	External	
	Double	Inner	Inner shield	1	10	1	External
		Outer	Outer shield	Case	Case	Case	External
Reserved	Do not connect	Grey	6	3	7	1	
		Pink	7	4	6	3	

**NOTE:** For RESOLUTE Panasonic UHV readheads only 13-way JST (V) option is available.

## Siemens DRIVE-CLiQ serial interface

### DRIVE-CLiQ readhead output

Function	Signal	Wire colour	Pin		
			M12 (S)	13-way JST (F and V)	
Power	5 V	Brown	2	9	
	0 V	White	5, 8	5, 7	
Green					
Serial communications	A+	Violet	3	11	
	A-	Yellow	4	13	
Shield	Single	Shield	Case	External	
	Double	Inner	Inner shield	1	External
		Outer	Outer shield	Case	External
Reserved	Do not connect	Grey	7	1	
		Pink	6	3	

### DRIVE-CLiQ interface output

Function	Signal	Pin
		M12
Power	24 V	1
	0 V	5
DRIVE-CLiQ communications	RX+	3
	RX-	4
	TX+	7
	TX-	6
Shield	Shield	Case

**NOTE:** For RESOLUTE Siemens DRIVE-CLiQ UHV readheads only 13-way JST (V) option is available.

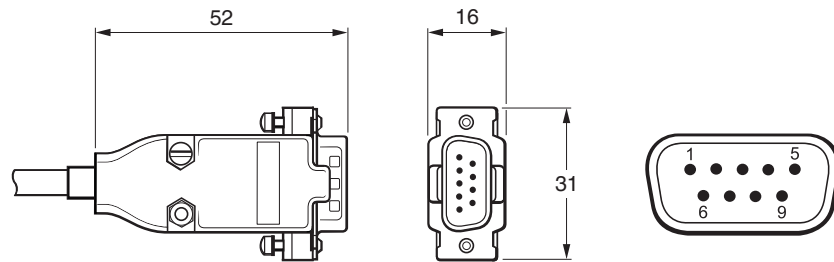
## Yaskawa serial interface

Function	Signal	Wire colour	Pin			
			9-way D-type (A)	LEMO (L)	M12 (S)	13-way JST (F)
Power	5 V	Brown	4, 5	11	2	9
	0 V	White	8, 9	8, 12	5, 8	5, 7
Green						
Serial communications	S	Violet	2	2	3	11
	$\bar{S}$	Yellow	3	1	4	13
Shield	Shield	Shield	Case	Case	Case	External
Reserved	Do not connect	Grey	6	3	7	1
		Pink	7	4	6	3

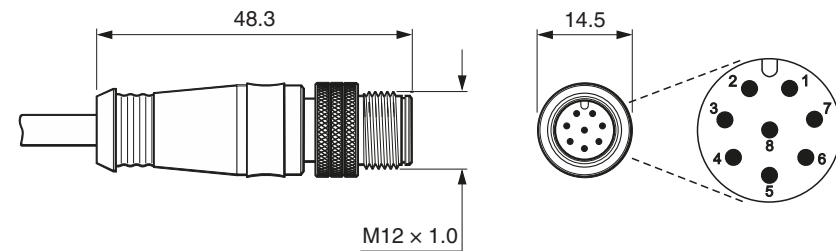
## RESOLUTE readhead termination options

### 9-way D-type connector (Termination code A)

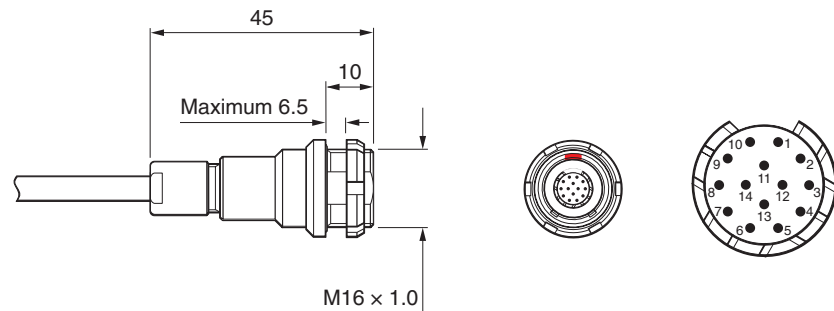
Plugs directly into the optional Advanced Diagnostic Tool ADTa-100 <sup>1</sup>  
 (ADT compatible readheads only)



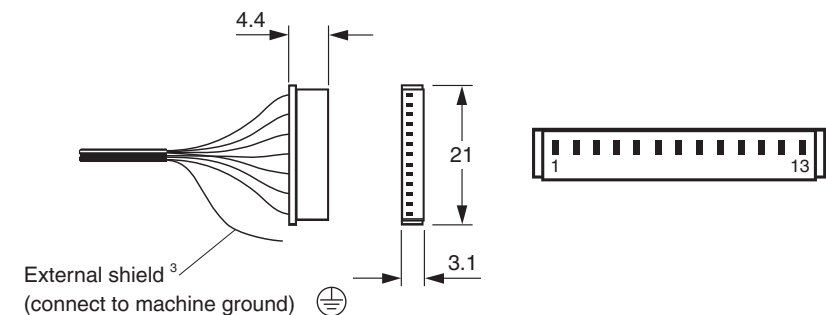
### M12 (sealed) connector (Termination code S)



### LEMO in-line connector (Termination code L)



### 13-way flying lead <sup>2</sup> (Termination code F and V) (single-shielded cable shown)

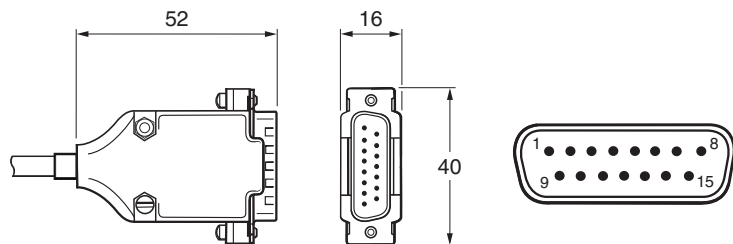


<sup>1</sup> For more details refer to the *Advanced Diagnostic Tools and ADT View software User guide* (Renishaw part no. M-6195-9413).

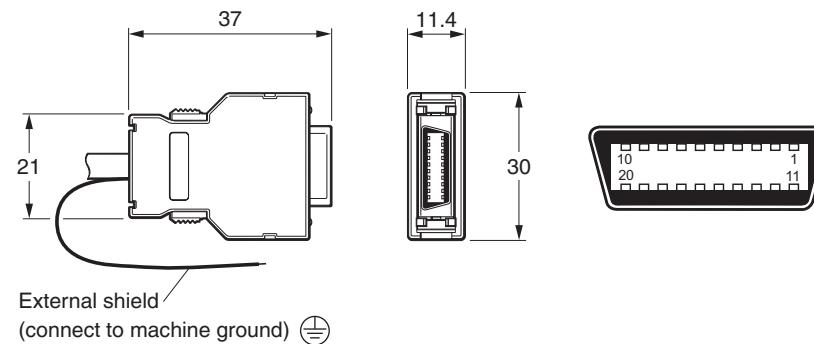
<sup>2</sup> JST part number: 13ZR-3H-P.

<sup>3</sup> External shield not present on termination code V.

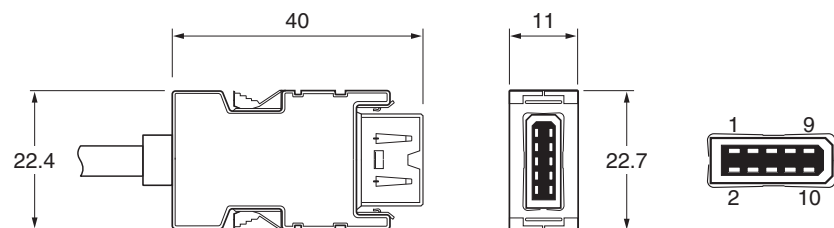
**15-way D-type Mitsubishi connector  
(Termination code N)**



**20-way FANUC connector (Termination code H)**

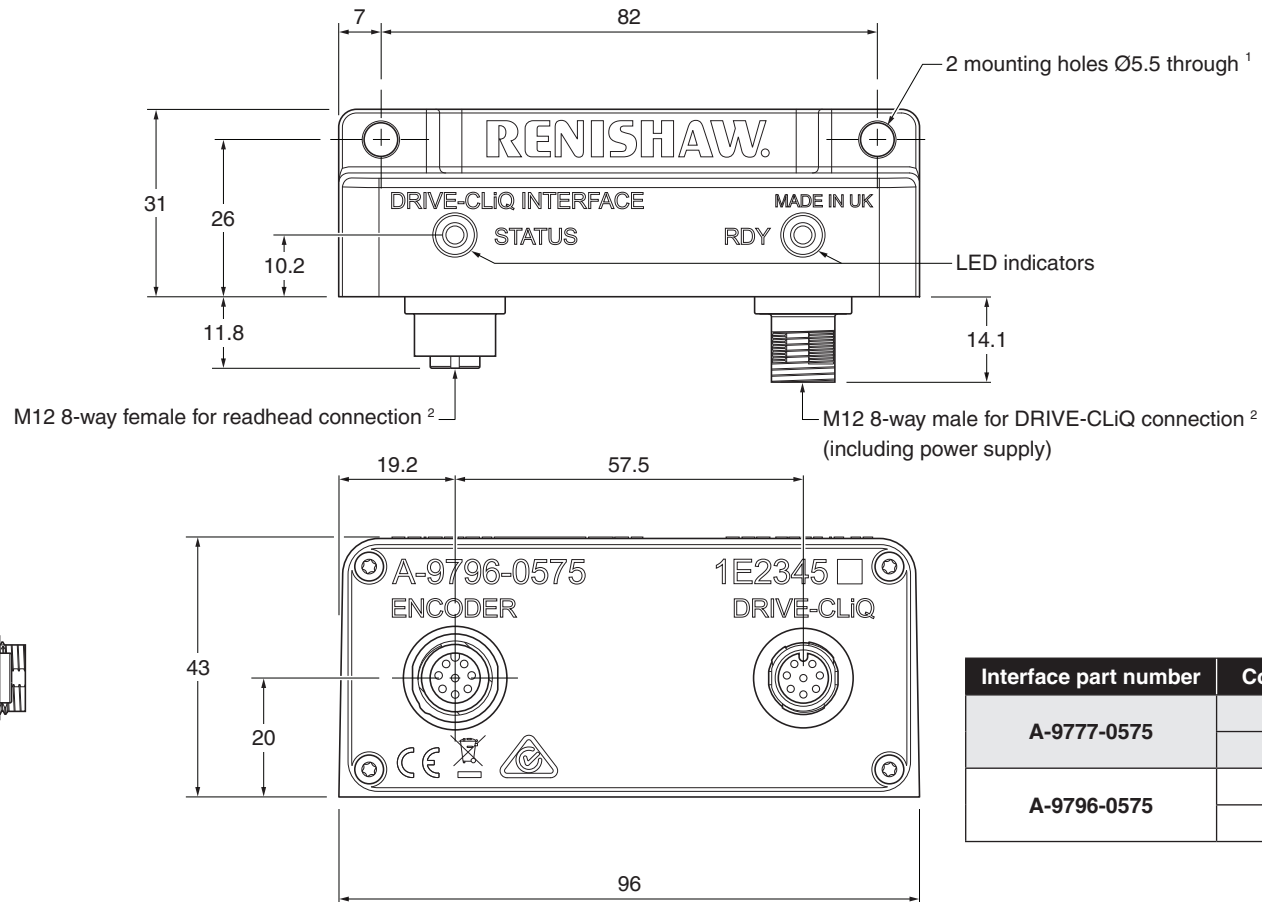


**10-way Mitsubishi connector (Termination code P)**



## Siemens DRIVE-CLiQ interface drawing – single readhead input

Dimensions and tolerances in mm



Interface part number	Compatible readheads
A-9777-0575	RLxxDA
	RLxxDS
A-9796-0575	RLxxDB
	RLxxDR

**NOTE:** RESOLUTE Siemens DRIVE-CLiQ readheads require the Siemens DRIVE-CLiQ interface to function correctly.

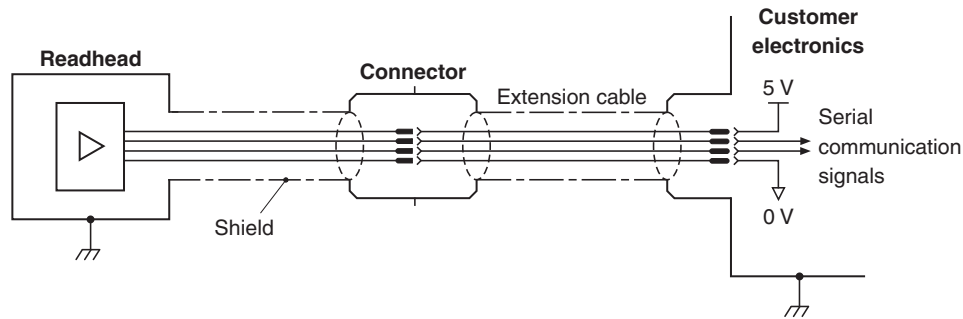
<sup>1</sup> Screw grade: ISO 4762-M5. Maximum tightening torque 4 Nm. Recommended thread engagement  $\geq$  5 mm.

<sup>2</sup> Maximum tightening torque 4 Nm.

# Electrical connections

## Grounding and shielding <sup>1</sup>

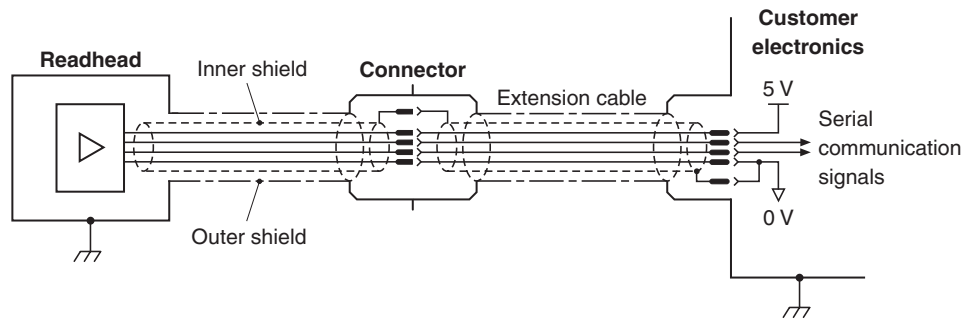
### Single-shielded cable <sup>2</sup>



#### IMPORTANT:

- The shield should be connected to the machine earth (Field ground).
- If the connector is modified or replaced, the customer must ensure both 0 V cores (white and green) are connected to 0 V.

### Double-shielded cable <sup>2</sup>



#### IMPORTANT:

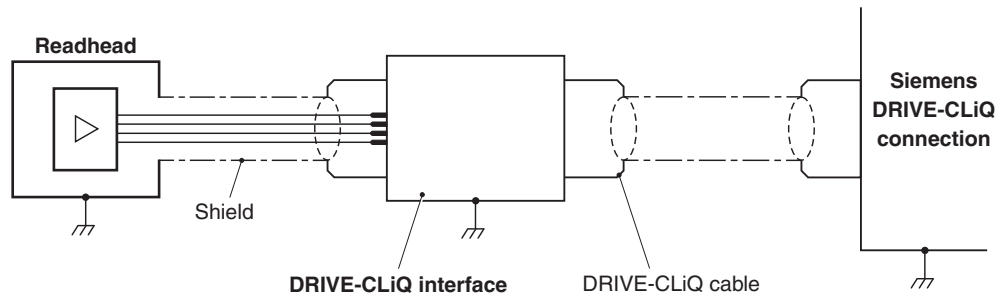
- The outer shield should be connected to the machine earth (Field ground). The inner shield should be connected to 0 V at customer electronics only. Care should be taken to ensure that the inner and outer shields are insulated from each other.
- If the connector is modified or replaced, the customer must ensure both 0 V cores (white and green) are connected to 0 V.

<sup>1</sup> RESOLUTE BiSS, FANUC, Mitsubishi, Panasonic/Omron, and Yaskawa readheads only. For RESOLUTE Siemens DRIVE-CLiQ systems, refer to page 23 for grounding and shielding arrangements.

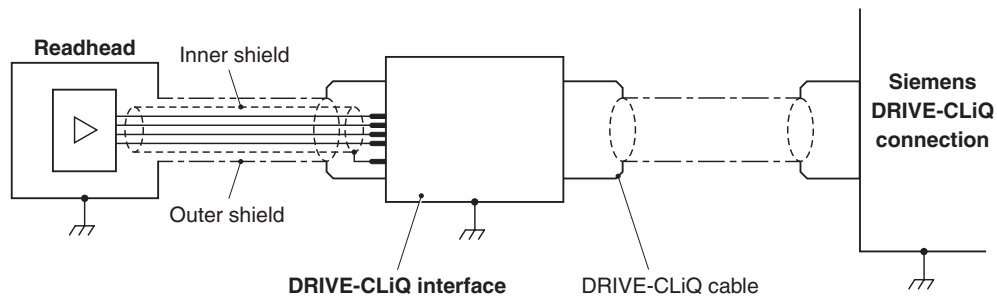
<sup>2</sup> RESOLUTE Yaskawa readheads are single-shielded cable only

## Grounding and shielding – RESOLUTE Siemens DRIVE-CLiQ systems only

### Single-shielded cable




### Double-shielded cable



**IMPORTANT:** If reterminating double-shielded readhead cable, care should be taken to ensure that the inner and outer shields are insulated from each other. If the inner and outer shields are connected together, this will cause a short between 0 V and earth, which could cause electrical noise issues.

## General specifications

<b>Power supply</b> <sup>1</sup>	(DRIVE-CLiQ system) <sup>2</sup>	5 V ±10% 24 V Ripple	1.25 W maximum (250 mA @ 5 V) 3.05 W maximum (encoder: 1.25 W + interface: 1.8 W). 24 V power is provided by the DRIVE-CLiQ network. 200 mVpp maximum @ frequency up to 500 kHz
<b>Sealing</b>	(readhead) (DRIVE-CLiQ interface)		IP64 IP67
<b>Acceleration</b>	(readhead)	Operating	500 m/s <sup>2</sup> , 3 axes
<b>Shock</b>	(readhead and interface)	Non-operating	1000 m/s <sup>2</sup> , 6 ms, ½ sine, 3 axes
<b>Maximum acceleration of scale with respect to readhead</b> <sup>3</sup>			2000 m/s <sup>2</sup>
<b>Vibration</b>	(readhead) (DRIVE-CLiQ interface)	Operating Operating	300 m/s <sup>2</sup> , 55 Hz to 2000 Hz, 3 axes 100 m/s <sup>2</sup> , 55 Hz to 2000 Hz, 3 axes
<b>Mass</b>	(readhead) (cable) (DRIVE-CLiQ interface)		18 g 32 g/m 218 g
<b>Readhead cable</b>			7 core, tinned and annealed copper, 28 AWG Outside diameter 4.7 ±0.2 mm Single-shielded: Flex life > 40 × 10 <sup>6</sup> cycles at 20 mm bend radius Double-shielded: Flex life > 20 × 10 <sup>6</sup> cycles at 20 mm bend radius UL recognised component 
<b>Maximum readhead cable length</b>			10 m (to controller or DRIVE-CLiQ interface) (Refer to Siemens DRIVE-CLiQ specifications for maximum cable length from DRIVE-CLiQ interface to controller)

**CAUTION:** The RESOLUTE encoder system has been designed to the relevant EMC standards, but must be correctly integrated to achieve EMC compliance. In particular, attention to shielding arrangements is essential.

<sup>1</sup> Current consumption figures refer to terminated RESOLUTE systems. Renishaw encoder systems must be powered from a 5 Vdc supply complying with the requirements for SELV of standard IEC 60950-1.

<sup>2</sup> The Renishaw DRIVE-CLiQ interface must be powered from a 24 Vdc supply complying with the requirements for SELV of standard IEC 60950-1.

<sup>3</sup> This is the worst case figure that is correct for the slowest communications clock rates. For faster clock rates, the maximum acceleration of scale with respect to the readhead can be higher. For more details, contact your local Renishaw representative.

## RKLA30-S scale specifications

<b>Form (height x width)</b>	0.15 mm x 6 mm (including adhesive)
<b>Pitch</b>	30 µm
<b>Accuracy (at 20 °C) - includes slope and linearity</b>	±5 µm/m
<b>Linearity</b>	±2.5 µm/m achievable with 2 point error correction
<b>Material</b>	Hardened and tempered martensitic stainless steel fitted with a self-adhesive backing tape
<b>Mass</b>	4.6 g/m
<b>Coefficient of thermal expansion (at 20 °C)</b>	Matches that of the substrate material when scale ends are fixed by epoxy mounted end clamps
<b>Installation temperature</b>	+10 °C to +35 °C <sup>1</sup>
<b>End fixing</b>	Epoxy mounted end clamps (A-9523-4015) Approved epoxy adhesive (A-9531-0342) Scale end movement typically < 1 µm <sup>2</sup>

## Maximum length

The maximum scale length is determined by the readhead resolution and the number of position bits in the serial word. For RESOLUTE readheads with fine resolution and short word length, the maximum scale length will be limited accordingly. Conversely, coarser resolutions or longer word lengths enable the use of longer scale lengths.



Serial protocol	Protocol word length	Maximum scale length (m)			
		Resolution			
		1 nm	5 nm	50 nm	100 nm
BiSS	26 Bit	0.067	0.336	3.355	-
	32 Bit	4.295	21	21	-
	36 Bit	21	21	21	-
FANUC	37 Bit	21	-	21	-
Mitsubishi	40 Bit	2.1	-	21	-
Panasonic	48 Bit	21	-	21	21
Siemens DRIVE-CLiQ	28 Bit	-	-	13.42	-
	34 Bit	17.18	-	-	-
Yaskawa	36 Bit	1.8	-	21	-

<sup>1</sup> To limit maximum tension in the scale  $(CTE_{\text{substrate}} - CTE_{\text{scale}}) \times (T_{\text{use extreme}} - T_{\text{install}}) \leq 550 \mu\text{m/m}$  where  $CTE_{\text{scale}} = \sim 10.1 \mu\text{m/m/}^\circ\text{C}$

<sup>2</sup> The scale and end clamps must be installed following the installation process

[www.renishaw.com/contact](http://www.renishaw.com/contact)

 #renishaw

 +44 (0) 1453 524524     [uk@renishaw.com](mailto:uk@renishaw.com)

© 2021–2026 Renishaw plc. All rights reserved. This document may not be copied or reproduced in whole or in part, or transferred to any other media or language by any means, without the prior written permission of Renishaw.  
RENISHAW® and the probe symbol are registered trade marks of Renishaw plc. Renishaw product names, designations and the mark 'apply innovation' are trade marks of Renishaw plc or its subsidiaries. Other brand, product or company names are trade marks of their respective owners.  
Renishaw plc. Registered in England and Wales. Company no: 1106260. Registered office: New Mills, Wotton-under-Edge, Glos, GL12 8JR, UK.

WHILE CONSIDERABLE EFFORT WAS MADE TO VERIFY THE ACCURACY OF THIS DOCUMENT AT PUBLICATION, ALL WARRANTIES, CONDITIONS, REPRESENTATIONS AND LIABILITY, HOWSOEVER ARISING, ARE EXCLUDED TO THE EXTENT PERMITTED BY LAW. RENISHAW RESERVES THE RIGHT TO MAKE CHANGES TO THIS DOCUMENT AND TO THE EQUIPMENT, AND/OR SOFTWARE AND THE SPECIFICATION DESCRIBED HEREIN WITHOUT OBLIGATION TO PROVIDE NOTICE OF SUCH CHANGES.

Part no.: M-9553-9400-02-B  
Issued: 04.2026